

 **BOEING**
COMPONENT
MAINTENANCE MANUAL

TO: ALL HOLDERS OF CORE COWL ASSY COMPONENT MAINTENANCE MANUAL 71-11-45

REVISION NO. 13 DATED MAR 01/03

HIGHLIGHTS

Pages which have been added or revised are outlined below together with the highlights of the revision. Remove and insert the affected pages as listed and enter Revision No. and date to the Record of Revision Sheet.

CHAPTER/SECTION
AND PAGE NO.

DESCRIPTION OF CHANGE

501	Clarified non-destructive inspection requirements in the CHECK section.
REPAIR 2-1 602	Clarified bearing and bushing replacements in the REPAIR section.
REPAIR 3-1 602	
REPAIR 4-1 602	
REPAIR 5-1 602	
REPAIR 6-1 601	
REPAIR 7-1 601	
REPAIR 8-1 601	
REPAIR 9-1 601	
REPAIR 10-1 602	
801-804	Added FITS and CLEARANCES.

71-11-45

HIGHLIGHTS

01.1

Page 1

Mar 01/03

CORE COWL ASSEMBLY - CF6

PART NUMBERS 314T1210-1,-2,-247,-248,-365,-366
-408,-409,-415,-416,-431,
-432

314T1001-3 THRU -10

015T0540-28 THRU -7

015T0437-47 THRU -52

015T0412-4 THRU -7

015T0132-3,-4

015T0109-43

COMPONENT MAINTENANCE MANUAL
WITH
ILLUSTRATED PARTS LIST

71-11-45

TITLE PAGE

Page 1

Jun 01/95

01.1

015T0109 015T0132
015T0412 015T0437
015T0540 315T1001
314T1210



REVISION RECORD

- Retain this record in front of manual. On receipt of revision, insert revised pages in the manual, and enter revision number, date inserted and initial.

REVISION NUMBER	REVISION DATE	DATE FILED	BY	REVISION NUMBER	REVISION DATE	DATE FILED	BY

31411

71-11-45

REVISION RECORD

01.1

Page 1

Jun 01/95

015T0109 015T0132
 015T0412 015T0437
 015T0540 315T1001
 314T1210

 **BOEING**
 COMPONENT
 MAINTENANCE MANUAL

TEMPORARY REVISION AND SERVICE BULLETIN RECORD

BOEING SERVICE BULLETIN	BOEING TEMPORARY REVISION	OTHER DIRECTIVE	DATE OF INCORPORATION INTO MANUAL
71-16		PRR B11123	APR 10/87
		PRR B11129	JUL 10/84
71-4		PRR B10682	JUL 10/85
71-17		PRR B10991-1	APR 10/87
		PRR B11010	APR 10/87
71-13		PRR B11129	JUL 10/85
71-14 R2		PRR B11202	APR 10/87
	71-2	PRR B11225	APR 10/87
71A0025 R1		PRR 11380	JUL 10/85
71-21		PRR 11284-1	JAN 01/92
71-20			APR 10/87
71-37 R2		PRR B11558	OCT 10/85
71-28			JAN 01/92
		PRR B11645	APR 10/87
71-42 R3	71-11	PRR B11654	JUL 10/87
54-38		PRR B11914	JAN 01/92
71-47		PRR B11731R	JAN 01/92
767-71-0067		PRR B11481-67R	JAN 01/92

71-11-45

TR & SB RECORD

01.1

Page 1

Jun 01/95

015T0109 015T0132
 015T0412 015T0437
 015T0540 315T1001
 314T1210

 **BOEING**
 COMPONENT
 MAINTENANCE MANUAL

PAGE	DATE	CODE	PAGE	DATE	CODE
71-11-45			REPAIR-GENERAL		
TITLE PAGE			601	JUN 01/95	01.1
1	JUN 01/95	01.1	602	JUN 01/95	01.1
2	BLANK		603	JUN 01/95	01.1
REVISION RECORD			604	BLANK	
1	JUN 01/95	01.1	REPAIR 1-1		
2	BLANK		601	JUN 01/95	01.1
TR & SB RECORD			602	BLANK	
1	JUN 01/95	01.1	REPAIR 2-1		
2	BLANK		601	JUN 01/95	01.1
LIST OF EFFECTIVE PAGES			*602	MAR 01/03	01.1
*1	MAR 01/03	01	REPAIR 3-1		
THRU LAST PAGE			601	JUN 01/95	01.1
CONTENTS			*602	MAR 01/03	01.1
1	JUN 01/95	01.1	REPAIR 4-1		
2	BLANK		601	JUN 01/95	01.1
INTRODUCTION			*602	MAR 01/03	01.1
1	JUN 01/95	01.1	REPAIR 5-1		
2	BLANK		601	JUN 01/95	01.1
DESCRIPTION & OPERATION			*602	MAR 01/03	01.1
1	JUN 01/95	01.1	REPAIR 6-1		
2	BLANK		*601	MAR 01/03	01.1
TESTING & TROUBLE SHOOTING			602	BLANK	
101	JUN 01/95	01.1	REPAIR 7-1		
102	BLANK		*601	MAR 01/03	01.1
DISASSEMBLY			602	BLANK	
301	JUN 01/95	01.1	REPAIR 8-1		
302	BLANK		*601	MAR 01/03	01.1
CHECK			602	BLANK	
*501	MAR 01/03	01.1	REPAIR 9-1		
*502	MAR 01/03	01.101	*601	MAR 01/03	01.1
			602	BLANK	

* = REVISED, ADDED OR DELETED

71-11-45

EFFECTIVE PAGES
 CONTINUED Page 1
 01 Mar 01/03

PAGE	DATE	CODE	PAGE	DATE	CODE
REPAIR 10-1			ILLUSTRATED PARTS LIST		
601	JUN 01/95	01.1	1019	JUN 01/95	01.1
*602	MAR 01/03	01.1	1020	JUN 01/95	01.1
603	JUN 01/95	01.1	1021	JUN 01/95	01.1
604	BLANK		1022	JUN 01/95	01.1
REPAIR 11-1			1023	JUN 01/95	01.1
601	JUN 01/95	01.1	1024	JUN 01/95	01.1
602	JUN 01/95	01.1	1025	JUN 01/95	01.1
603	JUN 01/95	01.1	1026	JUN 01/95	01.1
604	JUN 01/95	01.1	1027	JUN 01/95	01.1
605	JUN 01/95	01.1	1028	JUN 01/95	01.1
606	JUN 01/95	01.1	1029	JUN 01/95	01.1
ASSEMBLY			1030	JUN 01/95	01.1
701	JUN 01/95	01.1	1031	JUN 01/95	01.1
702	JUN 01/95	01.1	1032	JUN 01/95	01.1
FITS AND CLEARANCES			1033	JUN 01/95	01.1
*801	MAR 01/03	01.1	1034	JUN 01/95	01.1
*802	MAR 01/03	01.1	1035	BLANK	
*803	MAR 01/03	01.1	1036	JUN 01/95	01.1
*804	MAR 01/03	01.1	1037	JUN 01/95	01.1
ILLUSTRATED PARTS LIST			1038	JUN 01/95	01.1
1001	JUN 01/95	01.1	1039	JUN 01/95	01.1
1002	JUN 01/95	01.1	1040	JUN 01/95	01.1
1003	JUN 01/95	01.1	1041	JUN 01/95	01.1
1004	JUN 01/95	01.1	1042	JUN 01/95	01.1
1005	JUN 01/95	01.1	1043	JUN 01/95	01.1
1006	JUN 01/95	01.1	1044	JUN 01/95	01.1
1007	JUN 01/95	01.1	1045	JUN 01/95	01.1
1008	JUN 01/95	01.1	1046	JUN 01/95	01.1
1009	JUN 01/95	01.1	1047	JUN 01/95	01.1
1010	JUN 01/95	01.1	1048	JUN 01/95	01.1
1011	JUN 01/95	01.1	1049	JUN 01/95	01.1
1012	JUN 01/95	01.1	1050	JUN 01/95	01.1
1013	JUN 01/95	01.1	1051	JUN 01/95	01.1
1014	JUN 01/95	01.1	1052	JUN 01/95	01.1
1015	JUN 01/95	01.1	1053	JUN 01/95	01.1
1016	JUN 01/95	01.1	1054	JUN 01/95	01.1
1017	JUN 01/95	01.1	1055	JUN 01/95	01.1
1018	JUN 01/95	01.1	1056	JUN 01/95	01.1
			1057	JUN 01/95	01.1
			1058	JUN 01/95	01.1
			1059	JUN 01/95	01.1
			1060	JUN 01/95	01.1

* = REVISED, ADDED OR DELETED

71-11-45

EFFECTIVE PAGES
CONTINUED Page 2
01 Mar 01/03

015T0109 015T0132
 015T0412 015T0437
 015T0540 315T1001
 314T1210

 **BOEING**
 COMPONENT
 MAINTENANCE MANUAL

PAGE	DATE	CODE	PAGE	DATE	CODE
ILLUSTRATED PARTS LIST		CONT.	ILLUSTRATED PARTS LIST		CONT.
1061	JUN 01/95	01.1	1080W	JUN 01/95	01.1
1062	JUN 01/95	01.1	1080X	JUN 01/95	01.1
1063	JUN 01/95	01.1	1080Y	JUN 01/95	01.1
1064	JUN 01/95	01.1	1080Z	JUN 01/95	01.1
1065	JUN 01/95	01.1	1081	JUN 01/95	01.1
1066	JUN 01/95	01.1	1082	JUN 01/95	01.1
1067	JUN 01/95	01.1	1082A	JUN 01/95	01.1
1068	JUN 01/95	01.1	1082B	JUN 01/95	01.1
1069	JUN 01/95	01.1	1082C	JUN 01/95	01.1
1070	JUN 01/95	01.1	1082D	JUN 01/95	01.1
1071	JUN 01/95	01.1	1082E	JUN 01/95	01.1
1072	JUN 01/95	01.1	1082F	BLANK	
1073	JUN 01/95	01.1	1082G	JUN 01/95	01.1
1074	JUN 01/95	01.1	1082H	JUN 01/95	01.1
1075	JUN 01/95	01.1	1082I	JUN 01/95	01.1
1076	JUN 01/95	01.1	1082J	JUN 01/95	01.1
1077	JUN 01/95	01.1	1082K	JUN 01/95	01.1
1078	JUN 01/95	01.1	1082L	JUN 01/95	01.1
1079	JUN 01/95	01.1	1082M	JUN 01/95	01.1
1080	JUN 01/95	01.1	1082N	JUN 01/95	01.1
1080A	JUN 01/95	01.1	1082O	JUN 01/95	01.1
1080B	JUN 01/95	01.1	1082P	JUN 01/95	01.1
1080C	JUN 01/95	01.1	1082Q	JUN 01/95	01.1
1080D	JUN 01/95	01.1	1082R	JUN 01/95	01.1
1080E	JUN 01/95	01.1	1082S	JUN 01/95	01.1
1080F	JUN 01/95	01.1	1082T	JUN 01/95	01.1
1080G	JUN 01/95	01.1	1082U	JUN 01/95	01.1
1080H	JUN 01/95	01.1	1082V	JUN 01/95	01.1
1080I	JUN 01/95	01.1	1082W	JUN 01/95	01.1
1080J	JUN 01/95	01.1	1082X	JUN 01/95	01.1
1080K	JUN 01/95	01.1	1082Y	JUN 01/95	01.1
1080L	JUN 01/95	01.1	1082Z	JUN 01/95	01.1
1080M	JUN 01/95	01.1	1083	JUN 01/95	01.1
1080N	JUN 01/95	01.1	1084	JUN 01/95	01.1
1080O	JUN 01/95	01.1	1084A	JUN 01/95	01.1
1080P	JUN 01/95	01.1	1084B	JUN 01/95	01.1
1080Q	JUN 01/95	01.1	1084C	JUN 01/95	01.1
1080R	JUN 01/95	01.1	1084D	JUN 01/95	01.1
1080S	JUN 01/95	01.1	1084E	JUN 01/95	01.1
1080T	JUN 01/95	01.1	1084F	JUN 01/95	01.1
1080U	JUN 01/95	01.1	1084G	JUN 01/95	01.1
1080V	JUN 01/95	01.1	1084H	JUN 01/95	01.1

* = REVISED, ADDED OR DELETED

71-11-45

EFFECTIVE PAGES
 CONTINUED Page 3
 01 Mar 01/03

PAGE	DATE	CODE	PAGE	DATE	CODE
ILLUSTRATED	PARTS LIST	CONT.			
1084I	JUN 01/95	01.1			
1084J	JUN 01/95	01.1			
1084K	JUN 01/95	01.1			
1084L	JUN 01/95	01.1			
1084M	JUN 01/95	01.1			
1084N	JUN 01/95	01.1			
1084O	JUN 01/95	01.1			
1084P	JUN 01/95	01.1			
1084Q	JUN 01/95	01.1			
1084R	JUN 01/95	01.1			
1084S	JUN 01/95	01.1			
1084T	JUN 01/95	01.1			
1084U	JUN 01/95	01.1			
1084V	JUN 01/95	01.1			
1084W	JUN 01/95	01.1			
1084X	JUN 01/95	01.1			
1084Y	JUN 01/95	01.1			
1084Z	JUN 01/95	01.1			
1085	JUN 01/95	01.1			
1086	JUN 01/95	01.1			
1086A	JUN 01/95	01.1			
1086B	JUN 01/95	01.1			
1086C	JUN 01/95	01.1			
1086D	JUN 01/95	01.1			
1086E	BLANK				
1086F	JUN 01/95	01.1			
1086G	JUN 01/95	01.1			
1086H	JUN 01/95	01.1			
1086I	JUN 01/95	01.1			
1086J	JUN 01/95	01.1			

* = REVISED, ADDED OR DELETED

71-11-45

EFFECTIVE PAGES
 LAST PAGE Page 4
 01 Mar 01/03

015T0109 015T0132
015T0412 015T0437
015T0540 315T1001
314T1210



TABLE OF CONTENTS

<u>Paragraph Title</u>	<u>Page</u>
Description and Operation	1
Testing and Trouble Shooting.	101
Disassembly	301
Cleaning.	*[1]
Check	501
Repair.	601
Assembly.	701
Fits and Clearances	801
Special Tools (not applicable)	
Illustrated Parts List.	1001

*[1] Special instructions not required. Use standard industry practices.

71-11-45

CONTENTS

Page 1

Jun 01/95

01.1

015T0109 015T0132
015T0412 015T0437
015T0540 315T1001
314T1210



INTRODUCTION

The instructions in this manual provide the information necessary to perform maintenance functions ranging from simple checks and replacement to complete shop-type repair.

This manual is divided into separate sections:

- | | |
|--|------------------------------|
| 1. Title Page | 4. List of Effective Pages |
| 2. Record of Revisions | 5. Table of Contents |
| 3. Temporary Revision &
Service Bulletin Record | 6. Introduction |
| | 7. Procedures & IPL Sections |

Refer to the Table of Contents for the page location of applicable sections. An asterisked flagnote *[] in place of the page indicates that no special instructions are provided since the function can be performed using standard industry practices.

Throughout the manual IPL item number references include alpha-variants, unless otherwise stated.

The beginning of the REPAIR section includes a list of the separate repairs, a list of applicable standard Boeing practices, and an explanation of the True Position Dimensioning symbols used.

An explanation of the use of the Illustrated Parts List is provided in the introduction to that section.

All weights and measurements used in the manual are in English units, unless otherwise stated. When metric equivalents are given they will be in parentheses following the English units.

For repair of basic structure refer to 767 Structural Repair Manual.

Verification:

Assembly JUN 29/87

71-11-45

INTRODUCTION

01.1

Page 1

Jun 01/95

CORE COWL ASSEMBLY

DESCRIPTION AND OPERATION

1. Description and Operation

A. The core cowl assembly is a protective covering that encloses the engine area from the fan cowl assembly aft to the primary nozzle and plug. The core cowl assembly is of aluminum construction, hinged at the top by four hinge assemblies, and latched at the bottom by four latch assemblies. Two rod assemblies allow the cowl to be supported and locked in the open position. Two pressure relief doors are located on the left hand side of the cowl assembly, automatically opening to relieve excessive pressure from the engine.

2. Leading Particulars (approximate)

Length -- 54 inches
Diameter -- 70 inches
Weight -- 90 pounds

71-11-45

DESCRIPTION & OPERATION

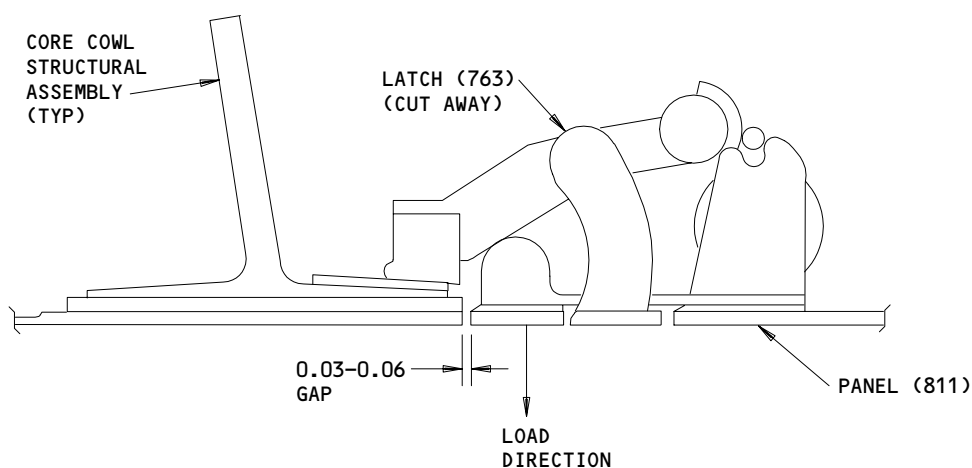
01.1

Page 1

Jun 01/95

TESTING AND TROUBLE SHOOTING

1. No testing is required for the completed core cowl assembly. However, the following test is required for pressure relief door installations (737, 740, IPL Fig. 1).
 - A. Apply 50–65 pounds load to center of latch (763) as shown in Fig. 101 and verify that latch releases. Test each latch individually with other latch released.



ALL DIMENSIONS ARE IN INCHES

Load Direction
Figure 101

79795

71-11-45

TESTING & TROUBLE SHOOTING
01.1 Page 101
Jun 01/95

015T0109 015T0132
015T0412 015T0437
015T0540 315T1001
314T1210



DISASSEMBLY

NOTE: Disassemble this component only as necessary to complete fault isolation, determine the serviceability of parts, perform required repairs, and restore the unit to serviceable condition.

71-11-45

DISASSEMBLY

01.1

Page 301

Jun 01/95

CHECK

1. Do a visual check for any obvious damage on all visible parts according to standard industry practices. Do the magnetic particle check or penetrant check if cracks or damage are seen or if you think there are cracks or damage.
 - A. Magnetic particle examine per 20-20-01 -- Fitting (787, IPL Fig. 1), and eyebolt (317).
 - B. Penetrant examine per 20-20-02 -- Panel (811), fittings (114, 117, 147, 150, 218, 221, 281, 284, 286, 476, 506, 530, 557), lug (886), and welds of duct assembly (889A).

2. Special Check

CAUTION: DO NOT TURN LATCH KEEPER EYEBOLT. TURNING LATCH KEEPER EYEBOLT WILL SHEAR THE GUIDE PIN. TENSION LATCH ADJUSTMENT CAN BE LOST, RESULTING IN IMPROPER LATCH UP.

- A. Check the latch keeper assemblies (362A, 362B) for damage or looseness.

NOTE: Latch keeper eyebolt translates inboard and outboard in keeper body when adjusting wheel is turned using an allen wrench. An eyebolt which rotates in the body indicates the guide pin, which prevents rotation, has sheared.

On thrust reverser cowl tension latch keepers (Avibank only), an eyebolt that cannot be translated inboard and outboard using the adjusting wheel or can be easily moved back and forth indicates a sheared connecting pin.

- B. On thrust reverser cowl tension latch keepers, inspect the clevis pin (3 places only) and verify that it is set solidly in place. Replace if clevis pin is found to have migrated out of position.

71-11-45

CHECK

01.1

Page 501

Mar 01/03

3. Refer to 767 Structural Repair Manual, 54-41-01 for allowable damage data.

71-11-45

CHECK
01.101 Page 502
Mar 01/03

REPAIR – GENERAL

1. Content

- A. Repair, refinish, and replacement procedures are included in separate repair sections as follows:

<u>P/N</u>	<u>NAME</u>	<u>REPAIR</u>
314T1210	COWL ASSEMBLY	1-1
314T1213	HINGE ASSEMBLY	2-1
314T1214	HINGE ASSEMBLY	3-1
31451215	HINGE ASSEMBLY	4-1
314T1216	HINGE ASSEMBLY	5-1
314T1220	FITTING ASSEMBLY	6-1
314T1221	FITTING ASSEMBLY	7-1
314T1222	FITTING ASSEMBLY	8-1
314T1223	FITTING ASSEMBLY	9-1
314T1230	DOOR INSTALLATION	10-1
- - -	MISCELLANEOUS PARTS	11-1

2. Standard Practices

- A. Refer to the following standard practices as applicable, for details of procedures in the individual repairs.

20-30-02	Stripping of Protective Finishes
20-30-03	General Cleaning Procedures
20-41-01	Decoding Table for Boeing Finish Codes
20-41-02	Application of Chemical and Solvent Resistant Finishes
20-42-05	Bright Cadmium Plating
20-43-01	Chromic Acid Anodizing
20-43-03	Alodizing
20-44-01	Application of Special Purpose Coatings and Finishes
20-50-03	Bearing Installation and Retention
20-50-05	Application of Aluminum Foil and Other Markers
20-60-02	Finishing Materials
20-60-04	Miscellaneous Materials

71-11-45

REPAIR-GENERAL

01.1

Page 601

Jun 01/95

3. Materials

NOTE: Equivalent substitutes may be used.

- A. Coating -- BMS 10-85, type 1 (Ref 20-60-02)
- B. Coating -- BMS 10-86, type 1, color white (Ref 20-60-02)
- C. Primer -- Desoto high temperature polyurethane (Ref 20-60-02)
- D. Primer -- BMS 5-42, type 1 (Ref 20-60-04)
- E. Primer -- BMS 10-11, type 1 (Ref 20-60-02)
- F. Sealant -- 93-006 Dow Corning (Ref 20-60-04)
- G. Sealant -- BMS 5-63 (Ref 20-60-04)

4. Dimensioning Symbols

- A. Standard True Positioning Dimensioning Symbols used in applicable Repair procedures are shown in Fig. 601.

71-11-45

REPAIR-GENERAL

01.1

Page 602

Jun 01/95

—	STRAIGHTNESS
▭	FLATNESS
⊥	PERPENDICULARITY (OR SQUARENESS)
//	PARALLELISM
○	ROUNDNESS
⊘	CYLINDRICITY
⌒	PROFILE OF A LINE
△	PROFILE OF A SURFACE
◎	CONCENTRICITY
≡	SYMMETRY
∠	ANGULARITY
↗	RUNOUT
↗↗	TOTAL RUNOUT
⊐	COUNTERBORE OR SPOTFACE
∇	COUNTERSINK

⊕	THEORETICAL EXACT POSITION OF A FEATURE (TRUE POSITION)
∅	DIAMETER
S ∅	SPHERICAL DIAMETER
R	RADIUS
SR	SPHERICAL RADIUS
()	REFERENCE
BASIC (BSC) OR	A THEORETICALLY EXACT DIMENSION USED TO DESCRIBE SIZE, SHAPE OR LOCATION OF A FEATURE FROM WHICH PERMISSIBLE VARIATIONS ARE ESTABLISHED BY TOLERANCES ON OTHER DIMENSIONS OR NOTES.
DIM	
-A-	DATUM
Ⓜ	MAXIMUM MATERIAL CONDITION (MMC)
Ⓛ	LEAST MATERIAL CONDITION (LMC)
Ⓢ	REGARDLESS OF FEATURE SIZE (RFS)
Ⓟ	PROJECTED TOLERANCE ZONE
FIM	FULL INDICATOR MOVEMENT

EXAMPLES

— 0.002	STRAIGHT WITHIN 0.002	◎ ∅ 0.0005 C	CONCENTRIC TO C WITHIN 0.0005 DIAMETER
⊥ 0.002 B	PERPENDICULAR TO B WITHIN 0.002	≡ 0.010 A	SYMMETRICAL WITH A WITHIN 0.010
// 0.002 A	PARALLEL TO A WITHIN 0.002	∠ 0.005 A	ANGULAR TOLERANCE 0.005 WITH A
○ 0.002	ROUND WITHIN 0.002	⊕ ∅ 0.002 Ⓢ B	LOCATED AT TRUE POSITION WITHIN 0.002 DIA RELATIVE TO DATUM B, REGARDLESS OF FEATURE SIZE
⊘ 0.010	CYLINDRICAL SURFACE MUST LIE BETWEEN TWO CONCENTRIC CYLINDERS, ONE OF WHICH HAS A RADIUS 0.010 INCH GREATER THAN THE OTHER	⊥ ∅ 0.010 Ⓜ A 0.510 Ⓟ	AXIS IS TOTALLY WITHIN A CYLINDER OF 0.010-INCH DIAMETER, PERPENDICULAR TO, AND EXTENDING 0.510-INCH ABOVE, DATUM A, MAXIMUM MATERIAL CONDITION
⌒ 0.006 A	EACH LINE ELEMENT OF THE SURFACE AT ANY CROSS SECTION MUST LIE BETWEEN TWO PROFILE BOUNDARIES 0.006 INCH APART RELATIVE TO DATUM PLANE A	2.000	THEORETICALLY EXACT DIMENSION IS 2.000
▭ 0.020 A	SURFACES MUST LIE WITHIN PARALLEL BOUNDARIES 0.02 INCH APART AND EQUALLY DISPOSED ABOUT TRUE PROFILE	OR 2.000 BSC	
NOTE: DATUM MAY APPEAR AT EITHER SIDE OF TOLERANCE FRAME		0.020 A A 0.020	

True Position Dimensioning Symbols
 Figure 601

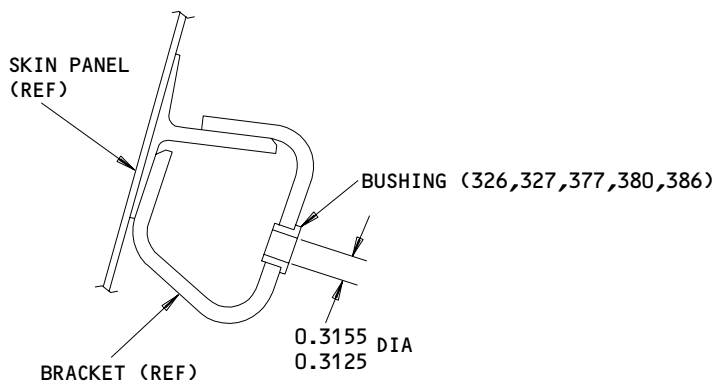
COWL ASSEMBLY – REPAIR 1-1

015T0109-43; 015T0132-3, -4;
015T0412-4 thru -7;
015T0437-47 thru -52;
015T0540-28 thru -33;
314T1001-3 thru -10;
314T1210-1, -2, -247, -248, -365, -366,
-408, -409, -415, -416, -431, -432

NOTE: Refer to REPAIR-GEN for list of applicable standard practices.

1. Bushing Replacement (IPL Fig. 1)

- A. Remove bushings (326, 327, 377, 380, 386).
- B. Install bushing (326, 327, 377, 380) per 20-50-03.
- C. Press fit bushing (386) per 20-50-03.
- D. Machine bore of bushing (326) to dimensions shown in Fig. 601.
- E. Fillet seal flanges of bushings (377, 380) using BMS 5-63 sealant.



ALL DIMENSIONS ARE IN INCHES

Bushing Replacement
Figure 601

71-11-45

REPAIR 1-1

01.1

Page 601

Jun 01/95

HINGE ASSEMBLY - REPAIR 2-1

314T1213-1, -2, -5, -6

NOTE: Refer to REPAIR-GEN for list of applicable standard practices.

1. Bearing Replacement

- A. Remove bearing (111 IPL Fig. 1).
- B. Install bearing (111) and roller swage per 20-50-03. Minimum pushout load of bearing (111) to be 1565 pounds.

2. Refinish

- A. Fittings (114, 117, 114A, 117A) -- Apply Desoto high temperature polyurethane primer per 20-44-01 and 20-50-05 (F-19.43) except omit primer from bearing hole. Material: Aluminum alloy.

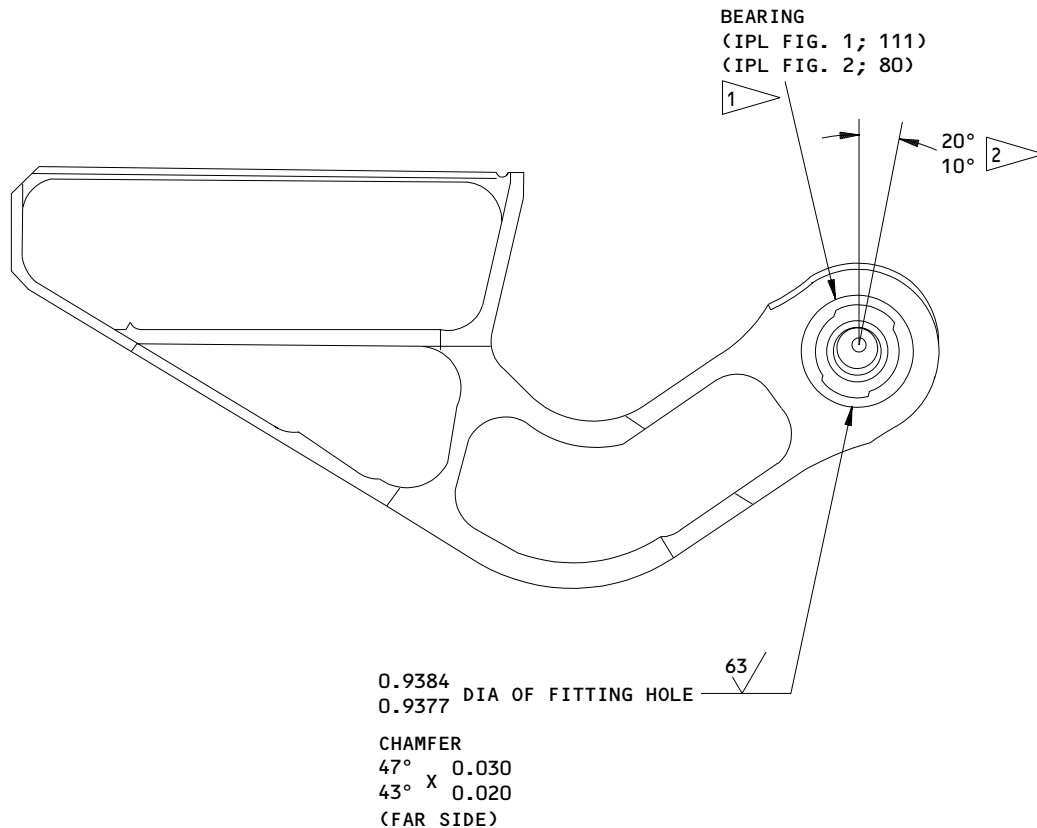
71-11-45

REPAIR 2-1

01.1

Page 601

Jun 01/95



- 1 BEARING FLANGE ON NEAR SIDE
- 2 BEARING SLOT ORIENTATION

ALL DIMENSIONS ARE IN INCHES

314T1213-1,-2,-5,-6
 Bearing Replacement
 Figure 601

71-11-45

REPAIR 2-1

Page 602

Mar 01/03

01.1

HINGE ASSEMBLY - REPAIR 3-1

314T1214-1, -2, -5, -6

NOTE: Refer to REPAIR-GEN for list of applicable standard practices.

1. Bearing Replacement

- A. Remove bearing (144, IPL Fig.1)
- B. Install bearing (144) and roller swage per 20-50-03. Minimum pushout load of bearings (144) to be 1565 pounds.

2. Refinish

- A. Fittings (147, 150, 147A, 150A) -- Apply Desoto high temperature polyurethane primer per 20-44-01 and 20-50-05 (F-19.43) except omit primer from bearing holes. Material: Aluminum alloy.

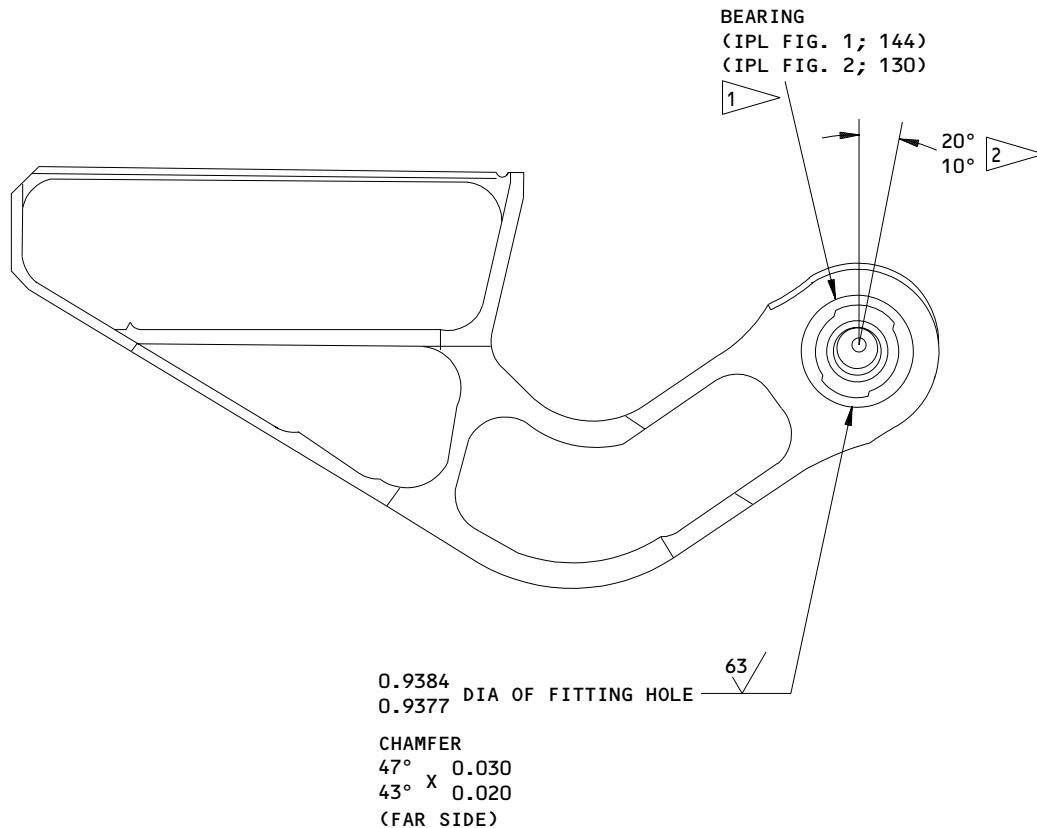
71-11-45

REPAIR 3-1

01.1

Page 601

Jun 01/95



- 1 BEARING FLANGE ON NEAR SIDE
- 2 BEARING SLOT ORIENTATION

ALL DIMENSIONS ARE IN INCHES

314T1214-1,-2,-5,-6
 Bearing Replacement
 Figure 601

71-11-45

REPAIR 3-1

Page 602

Mar 01/03

01.1

015T0109 015T0132
015T0412 015T0437
015T0540 315T1001
314T1210



HINGE ASSEMBLY - REPAIR 4-1

314T1215-1, -2, -5, -6

NOTE: Refer to REPAIR-GEN for list of applicable standard practices.

1. Bearing Replacement

- A. Remove bearing (215 IPL Fig. 1)
- B. Install bearing (215) and roller swage per 20-50-03. Minimum pushout load of bearing (215) to be 1565 pounds.

2. Refinish

- A. Fittings (218, 221, 218A, 221A) -- Apply Desoto high temperature polyurethane primer per 20-44-01 and 20-50-05 (F-19.43) except omit primer from bearing holes. Material: Aluminum alloy.

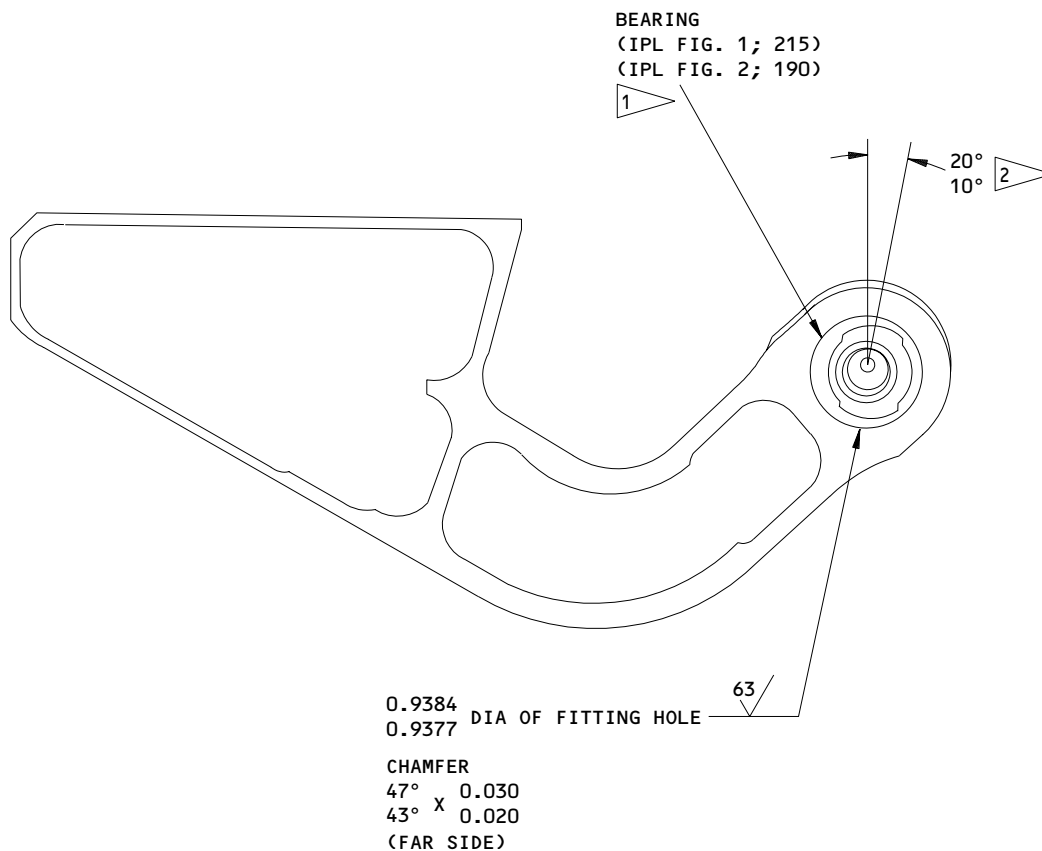
71-11-45

REPAIR 4-1

01.1

Page 601

Jun 01/95



- 1 BEARING FLANGE ON NEAR SIDE
- 2 BEARING SLOT ORIENTATION

ALL DIMENSIONS ARE IN INCHES

314T1215-1,-2,-5,-6
 Bearing Replacement
 Figure 601

71-11-45
 REPAIR 4-1
 Page 602
 Mar 01/03

01.1

N89434

HINGE ASSEMBLY - REPAIR 5-1

314T1216-1, -2, -5, -6

NOTE: Refer to REPAIR-GEN for list of applicable standard practices.

1. Bearing Replacement (IPL Fig. 1)

- A. Remove bearing (278).
- B. Install bearing (278) and roller swage per 20-50-03. Minimum pushout load of bearing (278) to be 1565 pounds.

2. Refinish

- A. Fittings (281, 281A, 284, 284A) -- Apply Desoto high temperature polyurethane primer per 20-44-01 and 20-50-05 (F-19.43) except omit primer from bearing holes. Material: Aluminum alloy.

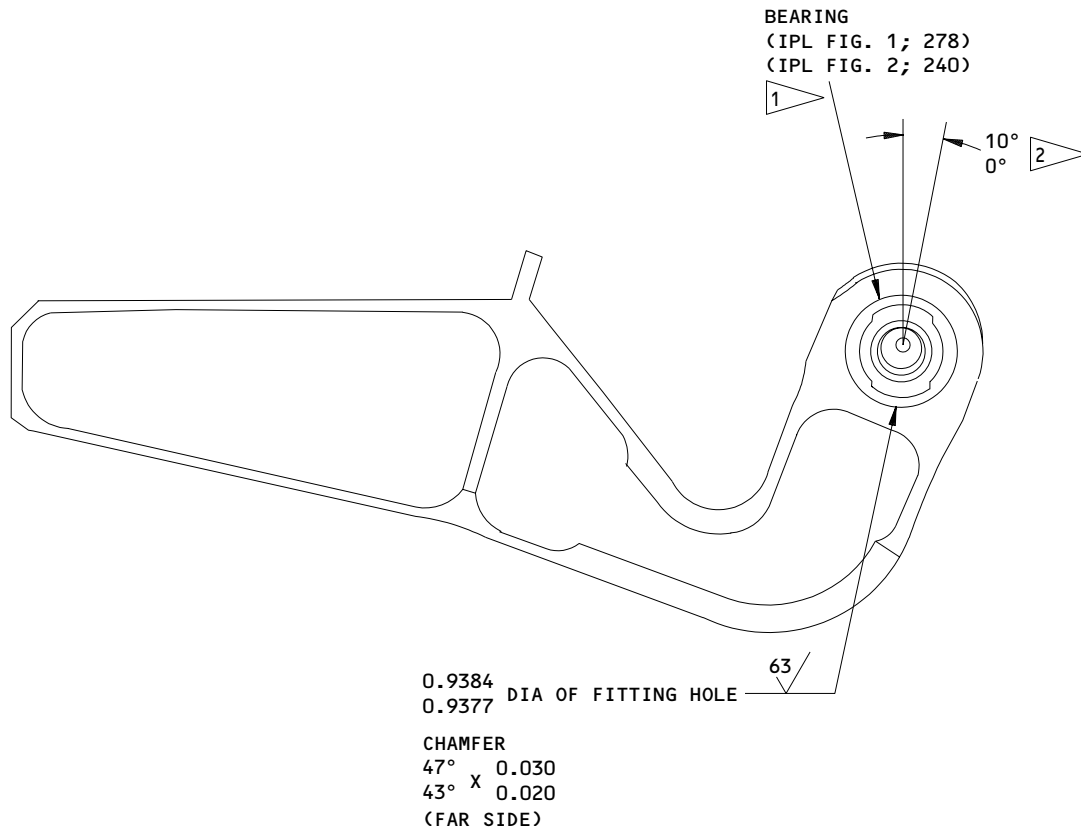
71-11-45

REPAIR 5-1

01.1

Page 601

Jun 01/95



- 1 BEARING FLANGE ON NEAR SIDE
- 2 BEARING SLOT ORIENTATION

ALL DIMENSIONS ARE IN INCHES

314T1216-1,-2,-5,-6
 Bearing Replacement
 Figure 601

71-11-45

REPAIR 5-1

Page 602

Mar 01/03

01.1

FITTING ASSEMBLY – REPAIR 6-1

314T1220-1, -4

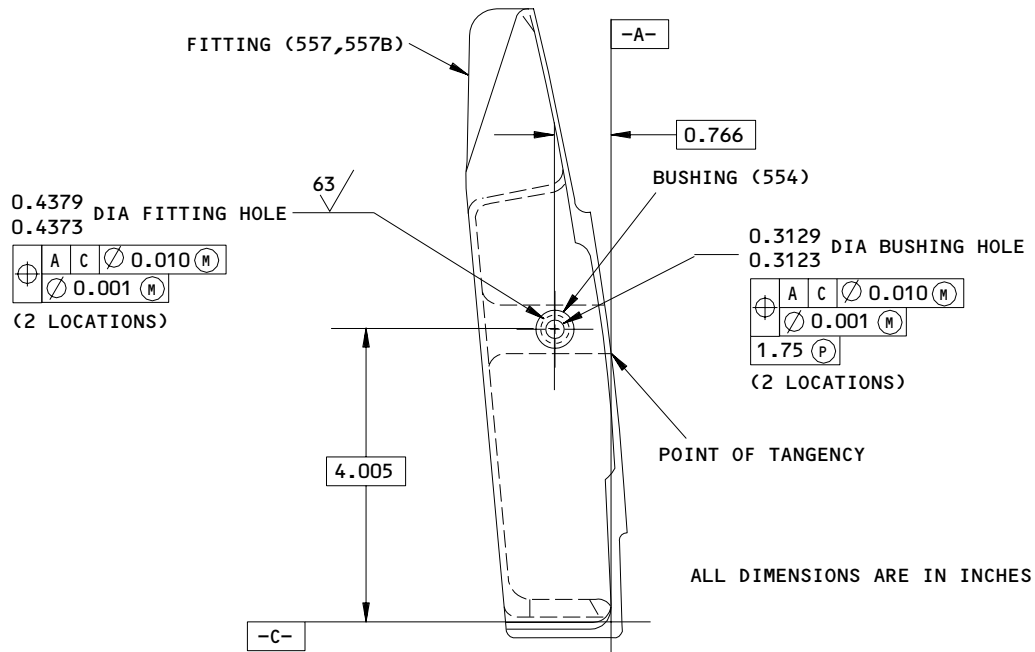
NOTE: Refer to REPAIR-GEN for list of applicable standard practices.

1. Bushing Replacement

- A. Remove bushings (554 IPL Fig. 1)
- B. Install bushings (554) per 20-50-03.
- C. Machine bore of bushings (554) to dimensions shown in Fig. 601.
- D. Fillet seal flanges of bushing with BMS 5-63 sealant.

2. Refinish

- A. Fitting (557, 557B) -- Apply BMS 5-42, type 1 primer to all surfaces except omit primer from bushing holes.



314T1220-1, -4
 Bushing Replacement
 Figure 601

FITTING ASSEMBLY – REPAIR 7-1

314T1221-1, -4

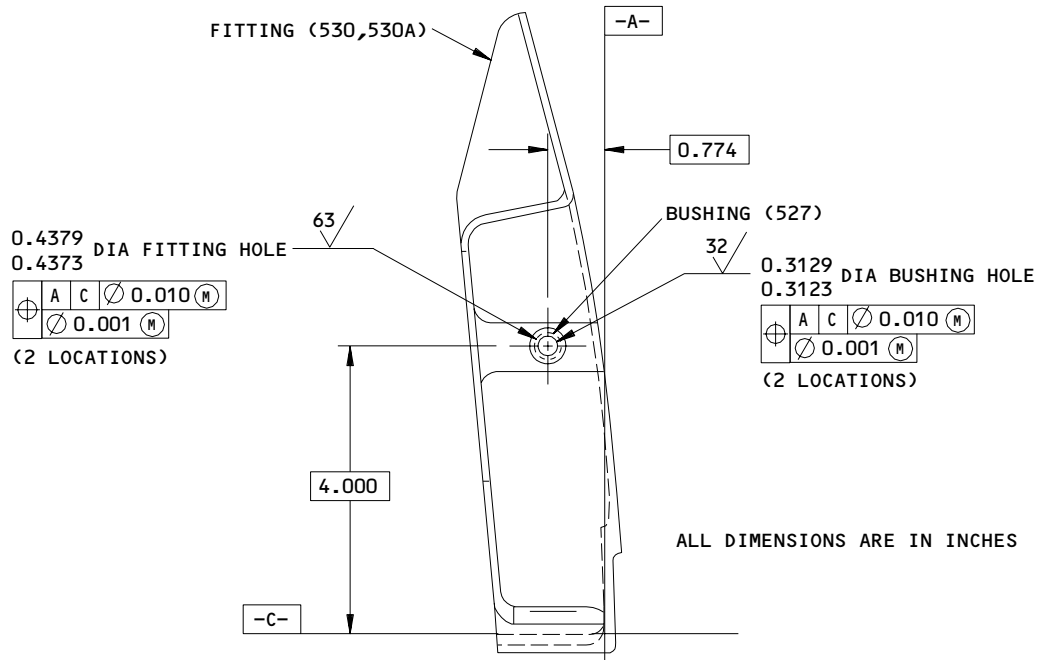
NOTE: Refer to REPAIR-GEN for list of applicable standard practices.

1. Bushing Replacement (IPL Fig. 1)

- A. Remove bushing (527)
- B. Install bushing (527) per 20-50-03.
- C. Machine bore of bushing (527) as shown in Fig. 601.
- D. Fillet seal bushing (527) with sealant, BMS 5-63.

2. Refinish

- A. Fittings (530, 530A) -- Apply BMS 5-42, type 1 primer to all surfaces except omit primer from bushing holes. Material: Al alloy.



314T1221-1, -4
 Bushing Replacement
 Figure 601

FITTING ASSEMBLY - REPAIR 8-1

314T1222-1, -4

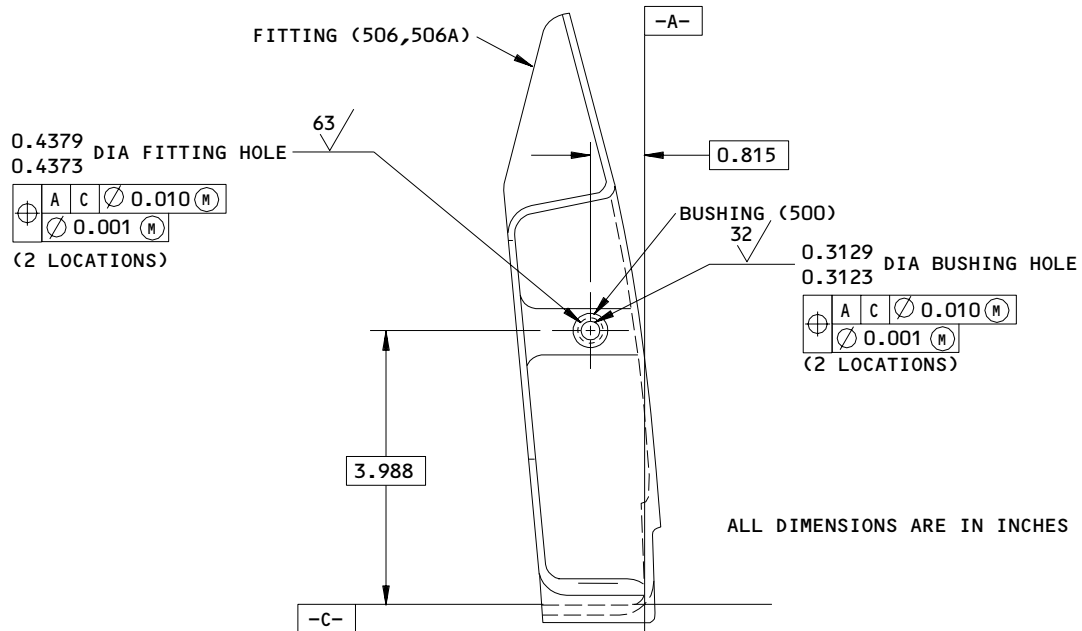
NOTE: Refer to REPAIR-GEN for list of applicable standard practices.

1. Bushing Replacement (IPL Fig. 1)

- A. Remove bushing (500).
- B. Install bushing (500) per 20-50-03.
- C. Machine bore of bushing (500) to dimensions as shown in Fig. 601.
- D. Fillet seal bushing (500) with sealant, BMS 5-63.

2. Refinish

- A. Fittings (506, 506A) -- Apply BMS 5-42, type 1 primer to all surfaces except omit primer form bushing holes. Material: Al alloy.



314T1222-1, -4
 Bushing Replacement
 Figure 601

FITTING ASSEMBLY - REPAIR 9-1

314T1223-1, -4, -6

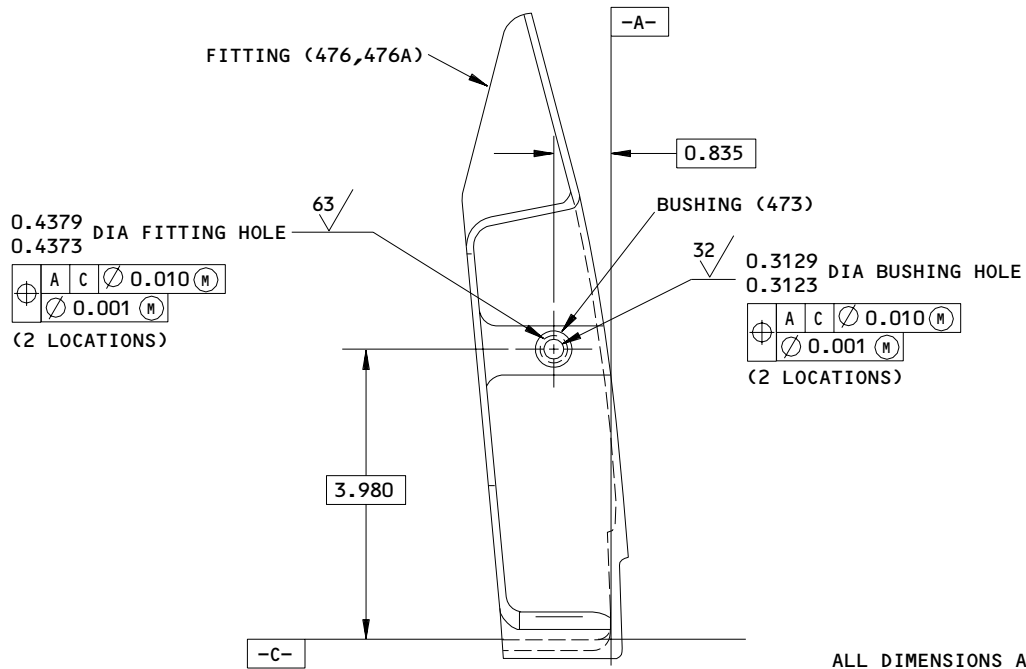
NOTE: Refer to REPAIR-GEN for list of applicable standard practices.

1. Bushing Replacement (IPL Fig. 1)

- A. Remove bushing (473).
- B. Install bushing (473) per 20-50-03.
- C. Machine bore of bushing (473) to dimensions shown in Fig. 601.
- D. Fillet seal bushing (473) with sealant, BMS 5-63.

2. Refinish

- A. Fittings (476, 476A) -- Chromic acid anodize (F-17.04) and apply Desoto high temperature polyurethane primer (F-19.43) per 20-44-01 and 20-50-05 to all surfaces. Material: Aluminum alloy.



314T1223-1,-4,-6
 Bushing Replacement
 Figure 601

71-11-45

REPAIR 9-1

01.1

Page 601

Mar 01/03

DOOR INSTALLATION - REPAIR 10-1

314T1230-1, -2

NOTE: Refer to REPAIR-GEN for list of applicable standard practices.

1. Bushing Replacement (IPL Fig. 1)

- A. Remove bushing (814).
- B. Check hole for damage or corrosion, and repair per 2. if necessary.
- C. Install bushing (814) per 20-50-03.
- D. Maching bore of bushing (814) to dimensions shown in Fig. 601.
- E. Fillet seal flange of bushing (814) with BMS 5-63 sealant.

2. Repair

- A. Repair hole for bushing (814).
 - (1) Machine angle (815, 815G) and doubler (813, 813G), as required to remove discrepancies, per Fig. 601.
 - (2) Fabricate oversize bushing(s) per Fig. 602.

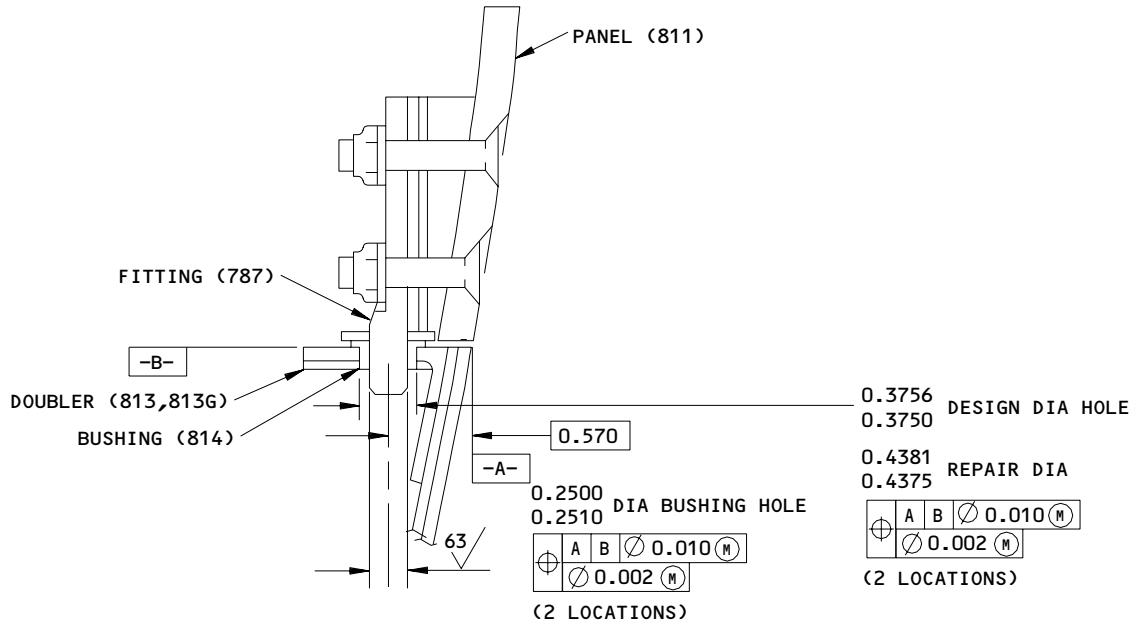
71-11-45

REPAIR 10-1

01.1

Page 601

Jun 01/95



ALL DIMENSIONS ARE IN INCHES

314T1230-1,-2
 Repair Door Installation
 Figure 601

31355

71-11-45

REPAIR 10-1

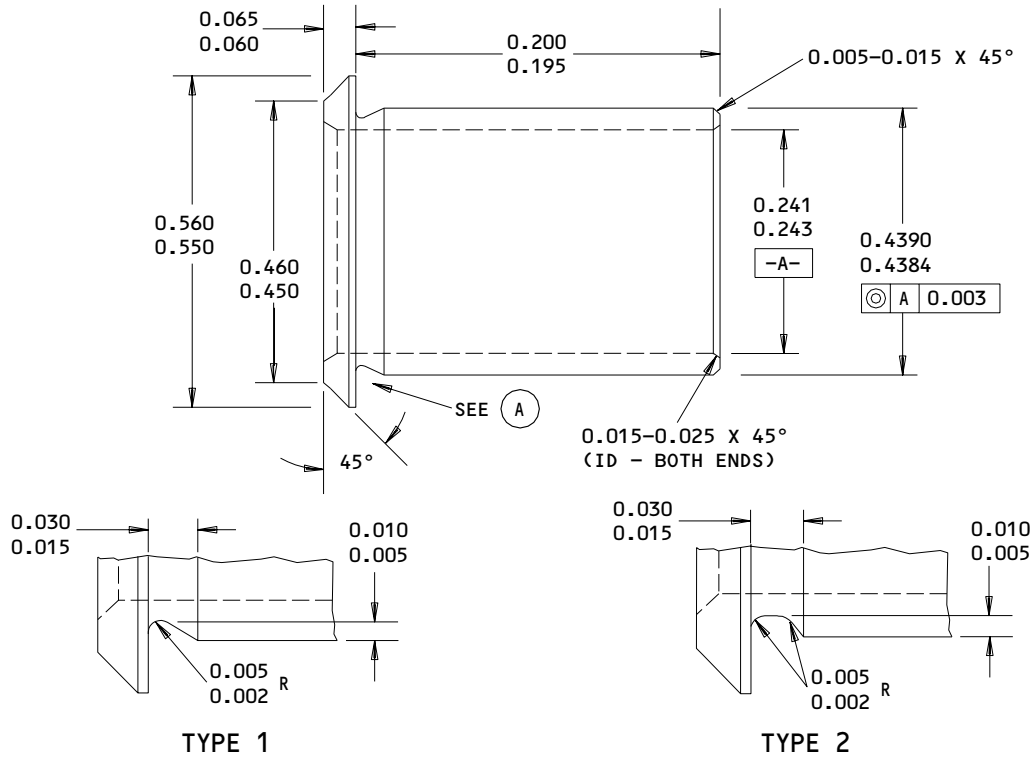
01.1

Page 602

Mar 01/03

015T0109 015T0132
 015T0412 015T0437
 015T0540 315T1001
 314T1210

BOEING
 COMPONENT
 MAINTENANCE MANUAL



UNDERCUT TYPE 1 OR TYPE 2 OPTIONAL

(A)

ALL DIMENSIONS ARE IN INCHES
 DIMENSIONS APPLY AFTER PLATING

63/ ALL MACHINED SURFACES, EXCEPT AS NOTED
 ANGULAR TOLERANCE, ±0.5 DEG
 MATERIAL: AL-N1-BR PER AMS 4640
 FINISH: CADMIUM PLATE PER 20-45-05, TYPE 2
 CLASS 2. PLATING OF BORE OPTIONAL

Oversize Bushing Details
 Figure 602

1749A9

71-11-45

REPAIR 10-1

01.1

Page 603

Jun 01/95

MISCELLANEOUS PARTS - REPAIR 11-1

1. Repair of parts listed in Fig. 601 consists of restoration of the original finish.

IPL FIG & ITEM	MATERIAL	FINISH
<u>Fig. 1</u> Cowl Assy (1,5)	Al alloy	Touch up bare areas as follows: Chemical treat (colored film) (F-17.07) and apply Desoto high temperature polyurethane primer (F-19.43).
Spacer (781), Retainer (802), Filler (350), Plates (356,358)	Al alloy	Chemical treat all surfaces (colored film) (F-17.07) and apply Desoto high temperature polyurethane primer (F-19.43).
Stop (357,360)	301 CRES (1/4 HD)	Prepare surface and passivate per 20-30-03, method 2 (F-18.09).
Spacer (784), Block (135,170, 206), Plate (809), Bracket (813N, 813R), Clip (816J, 816L), Doubler (813K)	Al alloy	Chromic acid anodize, type 1 (F-17.04) and apply Desoto high temperature polyurethane primer (F-19.43).
Panel (811)	Al alloy	Chromic acid anodize, type 1 (F-17.04) and apply Desoto high temperature polyurethane primer (F-19.43) to interior surfaces. Prepare surface and apply BMS 10-86 type 1, color white, type 27 (SRF-14.9624) as shown in Fig. 602, directly over Desoto primer.

Refinish Details
 Figure 601 (Sheet 1)

71-11-45

REPAIR 11-1

01.1

Page 601

Jun 01/95

IPL FIG & ITEM	MATERIAL	FINISH
Duct assembly (889A)		Apply Desoto high temperature primer (F-19.43) on flange surfaces, prior to installation of nutplate (895).
Eyebolt (317)	15-5PH CRES, 150-170 ksi	Apply two coats Desoto high temperature polyurethane primer (F-19.43) on all surfaces in contact with aluminum surfaces. Overspray acceptable on threads.
Pin (561)	15-5PH CRES, 150-170 ksi	Apply BMS 10-85 type 1 aluminum coating on all surfaces except holes.
Washer (790)	Al alloy	Cadmium plate type 2, class 2 (F-15.06) and apply Desoto high temperature polyurethane primer (F-19.43).
Panel assembly (389B,389D,389E)		Apply Desoto high temperature polyurethane primer (F-19.43) to interior surfaces. Manual application of colored chemical coating per 20-43-03 (brush, swab, or spray application) (F-17.10) to chamfered areas. Apply Desoto high temperature polyurethane primer (F-19.43) to chamfered areas. Apply BMS 5-42 type 1 primer to all aluminum surfaces.
Spacer (816)	301 CRES (1/4 HD)	Cadmium plate type 2, class 2, per 20-42-05 (F-15.06) and apply Desoto high temperature polyurethane primer per 20-44-01, 20-50-05 (F-19.43).
Contact flange (904)		Finish surface as shown in Fig. 603.

Refinish Details
Figure 601 (Sheet 2)

71-11-45

REPAIR 11-1

01.1

Page 602

Jun 01/95

IPL FIG & ITEM	MATERIAL	FINISH
<p><u>Fig. 2</u></p> <p>Panel assembly (510A,510B,607, 607B)</p> <p>Strap (597A,636)</p> <p>Rubstrip (634A)</p>	<p>Al alloy</p> <p>304 CRES annealed</p>	<p>Apply Desoto high temperature polyurethane primer (F-19.43) to interior surfaces. Manual application of colored chemical coating per 20-43-03 (brush, swab, or spray application) (F-17.10) to chamfered areas. Apply Desoto high temperature polyurethane primer (F-19.43) to chamfered areas. Apply BMS 5-42 type 1 primer to all aluminum surfaces.</p> <p>Chemical treat all surfaces (colored film) F-17.07 and apply Desoto high temperature polyurethane primer (F-19.43).</p> <p>Finish surface as shown in Fig. 604.</p>

Refinish Details
 Figure 601 (Sheet 3)

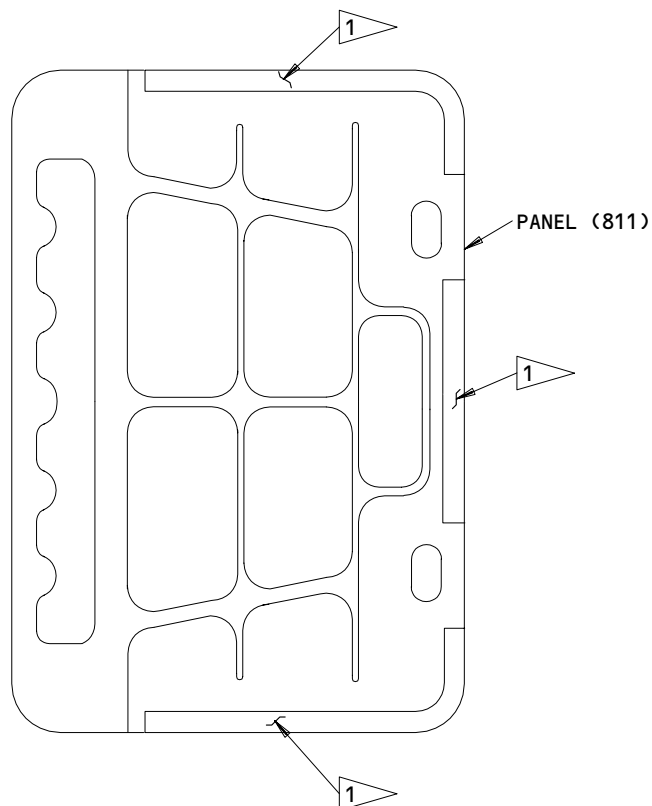
71-11-45

REPAIR 11-1

01.1

Page 603

Jun 01/95



1 PREPARE SURFACE AND APPLY BMS 10-86,
TYPE 1, COLOR WHITE, PER 20-44-01, TYPE 27
(SRF-14.9624) DIRECTLY OVER DESOTO PRIMER.

Refinish of Panel
Figure 602

71-11-45

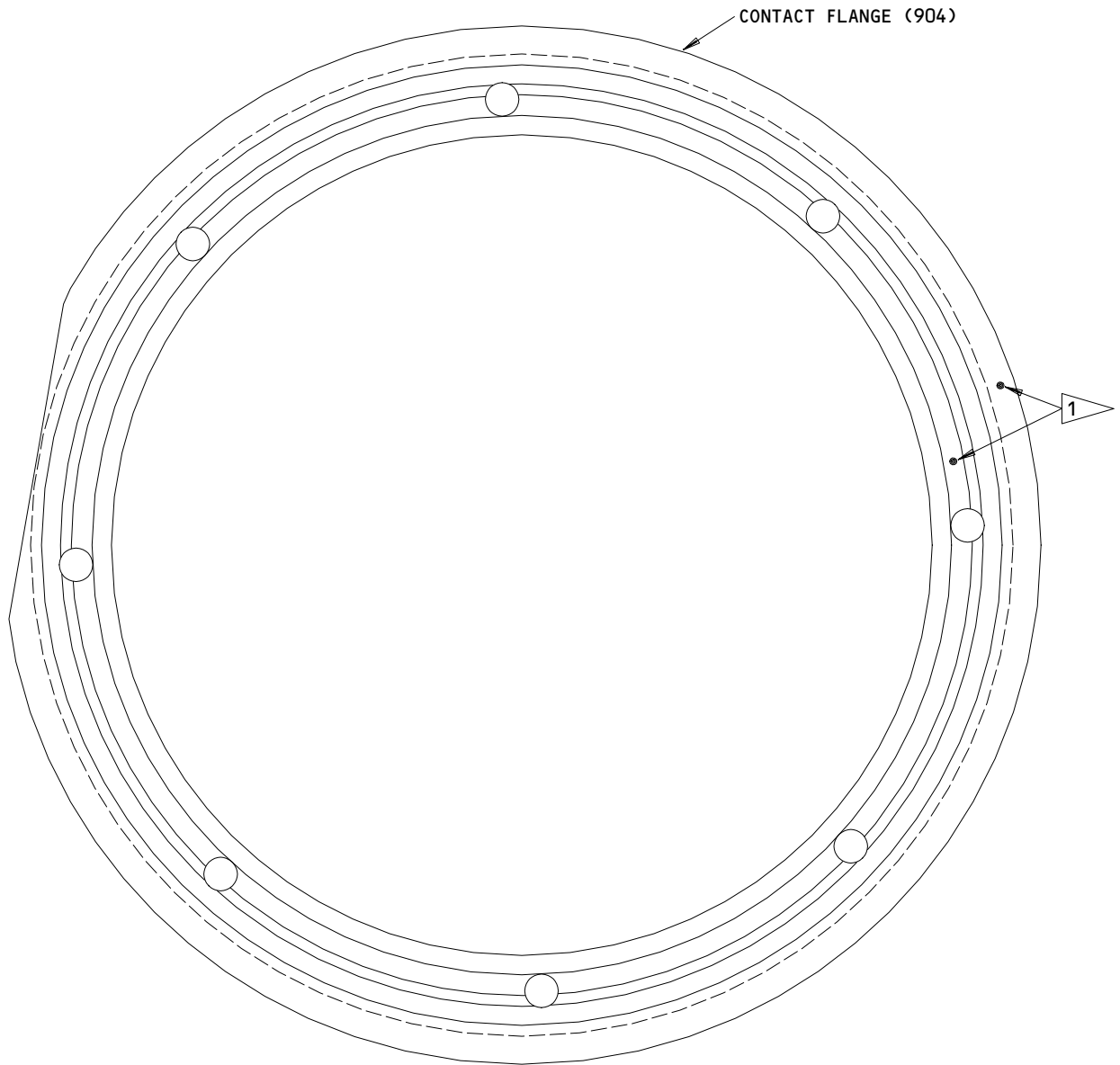
REPAIR 11-1

01.1

Page 604

Jun 01/95

015T0109 015T0132
015T0412 015T0437
015T0540 315T1001
314T1210



1 MANUAL APPLICATION OF COLORED CHEMICAL COATING PER 20-43-03 (BRUSH, SWAB, OR SPRAY APPLICATION) (F-17.10) AND APPLY DESOTO HIGH TEMPERATURE PRIMER (F-19.43) TO CHAMFERED AREAS.

Refinish of Flange
Figure 603

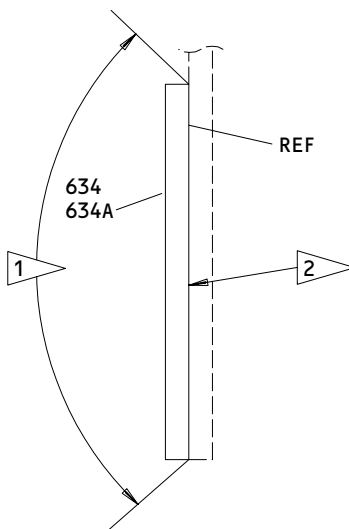
71-11-45

REPAIR 11-1

Page 605

Jun 01/95

01.1



1 APPLY BMS 10-67, TYPE 1 (TUNGSTEN CARBIDE) PER 20-10-05 (F-15.11) TO A THICKNESS OF 0.004 TO 0.008. SEAL COAT WITH DESOTO HIGH TEMPERATURE POLYURETHANE PRIMER (F-19.43). 32AA SURFACE TEXTURE REQUIRED.

2 APPLY TWO COATS DESOTO HIGH TEMPERATURE POLYURETHANE PRIMER TO NOTED SURFACE.

MATERIAL: 304 CRES ANNEALED
ITEMS NUMBERS ARE FROM IPL FIG. 2
ALL DIMENSIONS ARE IN INCHES

Refinish of Rub Strip
Figure 604

71-11-45

REPAIR 11-1

01.1

Page 606

Jun 01/95

ASSEMBLY

1. Materials

NOTE: Equivalent substitutes may be used.

- A. Grease -- BMS 3-24 (Ref 20-60-03)
- B. Primer -- BMS 10-11 type 1 (Ref 20-60-02)
- C. Primer -- Desoto high temperature polyurethane (Ref 20-60-02)
- D. Sealant -- 93-006 Dow Corning (Ref 20-60-04)
- E. Sealant -- BMS 5-42 type 2, grade C (Ref 20-60-04)
- F. Sealant -- BMS 5-63 (Ref 20-60-04)

2. Assembly (IPL Fig. 1)

- A. Use standard industry practices for assembly of this component and following additional procedures.

NOTE: Scupper assembly (832) must be able to slide freely in drain assembly (817) after all parts are assembled.

- B. Tighten nut (374) per 20-50-01. Washer (371) must rotate freely after tightening nut. Apply 93-006 Dow Corning sealant to washer, nut, and end of bolt (368) to approximately 0.06 inch thickness.
- C. Remove 0.003 laminations as required for all shims except shims (521, 778) and install with polyurethane high temperature primer. Install all shims except shims (521, 778) with a maximum gap of 0.005 inch prior to fastener installation.
- D. Install shims on door installation (737, 740) with BMS 10-11 type 1 primer either wet or dry.
- E. Apply wet BMS 10-11, type 1 primer to all areas of the hole including any countersink, counterbore, or other recess of door assembly (749) and immediately install shim (778), after removing required laminations.
- F. Install pins (302, 365) per 20-50-02.
- G. Install all nutplates with wet or dry Desoto high temperature polyurethane primer except omit primer from threads.

71-11-45

ASSEMBLY
Page 701
Jun 01/95

01.1

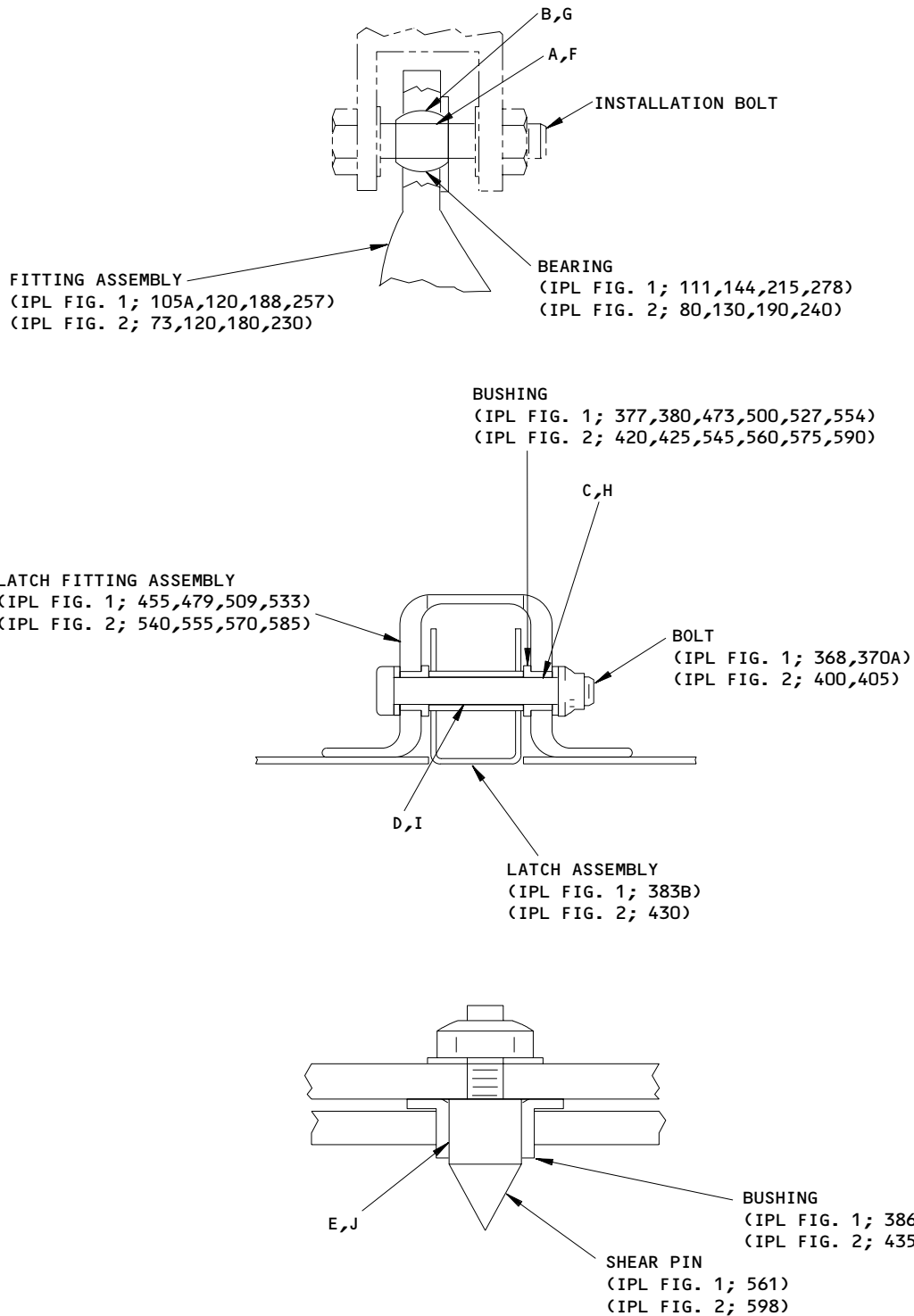
- H. Install screw (751) bolts (766, 769, 793) and pins (743, 746) with BMS 3-24 grease on all surfaces. Install pins flush with exterior surfaces of door installation (737, 740).
- I. Install washer (790) on fitting (787) as required to ensure that skin gap clearances are maintained.
- J. Bond panel assembly (389B, 389D, 389E) with BMS 5-42, type 2, grade C adhesive.
- K. Apply 93-006 Dow Corning sealant to all exterior gaps in cowl assembly (1, 1A, 5, 5A). Apply sealant thru the entire length of gaps.
- L. Fillet seal entire periphery of cowl assembly (1, 1A, 5, 5A) with BMS 5-63 sealant.
- M. Adjust latch (763) by removing shim laminations under spacer (757), as required to ensure zero free play of door assembly (749), when the latch is fully locked.
- N. To simulate the functioning of door assembly (749), apply a 50 to 65 pound load at centerline of latch (763) for release of door assembly. Test each latch individually with the other latches released.

71-11-45

ASSEMBLY
Page 702
Jun 01/95

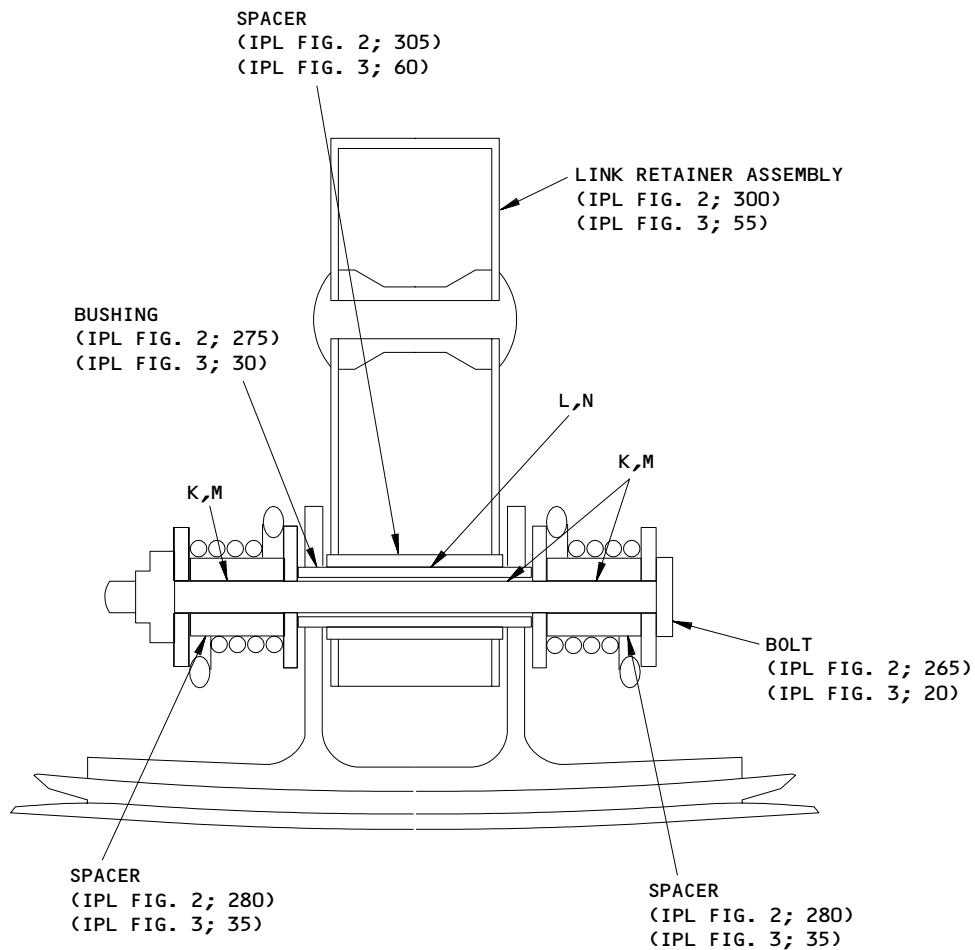
01.1

FITS AND CLEARANCES



Fits and Clearances
Figure 801 (Sheet 1)

71-11-45

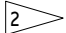




Fits and Clearances
 Figure 801 (Sheet 2)

71-11-45

015T0109 015T0132
 015T0412 015T0437
 015T0540 315T1001
 314T1210

 **BOEING**
 COMPONENT
 MAINTENANCE MANUAL

REF LETTER	REF IPL		DESIGN DIMENSION 				SERVICE WEAR LIMIT		
	FIG. NO.	MATING ITEM NO.	DIMENSION		ASSEMBLY CLEARANCE		DIMENSION		MAXIMUM CLEARANCE
			MIN	MAX	MIN	MAX	MIN	MAX	
A	1	ID 111,114,215,278	0.4375	0.4380	0.0005	0.0015			
	1	OD 	0.4365	0.4370					
B	1	ID 111,144,215,278 RACE	0.7820	0.7825	0.0010	0.0020			
	1	OD 111,144,215,278, BALL	0.7805	0.7810					
C	1	ID 377,380,473,500,527,554	0.3123	0.3129	0.0003	0.0019			
	1	OD 368,370A	0.3110	0.3120					
D	1	ID 383B	0.3125	0.3165	0.0005	0.0055			
	1	OD 368,370A	0.3110	0.3120					
E	1	ID 386	0.3750	0.3765	0.0100	0.0305			
	1	OD 561	0.3460	0.3650					
F	2	ID 80,130,190,240	0.4375	0.4380	0.0005	0.0015			
	2	OD 	0.4365	0.4370					
G	2	ID 80,130,190,240, RACE	0.7820	0.7825	0.0010	0.0020			
	2	OD 80,130,190,240, BALL	0.7805	0.7810					
H	2	ID 420,425,545,560,575,590	0.2970	0.3030	-0.0080	0.0150			
	2	OD 400,405	0.3110	0.3120					
I	2	ID 430	0.3125	0.3165	0.0005	0.0055			
	2	OD 400,405	0.3110	0.3120					
J	2	ID 435	0.3750	0.3765	0.0100	0.0305			
	2	OD 598	0.3460	0.3650					

Fits and Clearances
 Figure 801 (Sheet 3)

71-11-45

FITS AND CLEARANCES
 01.1 Page 803
 Mar 01/03

189636

REF LETTER	REF IPL		DESIGN DIMENSION ²				SERVICE WEAR LIMIT		
	FIG. NO.	MATING ITEM NO.	DIMENSION		ASSEMBLY CLEARANCE		DIMENSION		MAXIMUM CLEARANCE
			MIN	MAX	MIN	MAX	MIN	MAX	
K	2	ID 275,280	0.1900	0.1960	0.0015	0.0081			
	2	OD 265	0.1879	0.1885					
L	2	ID 305	0.3141	0.3161	0.0005	0.0030			
	2	OD 275	0.3131	0.3136					
M	3	ID 30,35	0.1900	0.1960	0.0015	0.0081			
	3	OD 20	0.1879	0.1885					
N	3	ID 60	0.3141	0.3161	0.0005	0.0030			
	3	OD 30	0.3131	0.3136					

¹ INSTALLATION BOLT P/N BACB30PU727

² NEGATIVE VALUES DENOTE INTERFERENCE FIT

Fits and Clearances
Figure 801 (Sheet 4)

71-11-45

FITS AND CLEARANCES
01.1 Page 804
Mar 01/03

ILLUSTRATED PARTS LIST

1. This section lists and illustrates replaceable or repairable component parts. The Illustrated Parts Catalog contains a complete explanation of the Boeing part numbering system.

2. Indentures show parts relationships as follows:

Assembly

Detail Parts for Assembly

Subassembly

Attaching Parts for Subassembly

Detail Parts for Subassembly

Detail Installation Parts (Included only if installation parts may be returned to shop as part of assembly)

3. One use code letter (A, B, C, etc.) is assigned in the EFF CODE column for each variation of top assembly. All listed parts are used on all top assemblies except when limitations are shown by use code letter opposite individual part entries.

4. Letter suffixes (alpha-variants) are added to item numbers for optional parts, Service Bulletin modification parts, configuration differences (except left- and right-hand parts), product improvement parts, and parts added between two sequential item numbers. The alpha-variant is not shown on illustrations when appearance and location of all variants of the part is the same.

5. Service Bulletin modifications are shown by the notations PRE SB XXXX and POST SB XXXX.

A. When a new top assembly part number is assigned by Service Bulletin, the notations appear at the top assembly level only. The configuration differences at detail part level are then shown by use code letter.

B. When the top assembly part number is not changed by the Service Bulletin, the notations appear at the detail part level.

6. Parts Interchangeability

Optional
(OPT)

The parts are optional to and interchangeable with other parts having the same item number.

Supersedes, Superseded By
(SUPSDS, SUPSD BY)

The part supersedes and is not interchangeable with the original part.

Replaces, Replaced By
(REPLS, REPLD BY)

The part replaces and is interchangeable with, or is an alternate to, the original part.

VENDORS

OPTK6 SPS TECHNOLOGIES INC AEROSPACE PRODUCTS DIV
5195 W 4700 SPO BOX 18459
KEARNS, UTAH 84118

00779 AMP, INCORPORATED
2800 FULLING MILL
MIDDLETON, PENNSYLVANIA 17057

05693 CHERRY/TEXTRON INC CHERRY COMMERCIAL FASTENERS PROD DIV
1224 EAST WARNER STREET PO BOX 2157
SANTA ANA, CALIFORNIA 92707-3149

06710 LAMSON AND SESSIONS CO THE VALLEY-TODECO
12975 BRADLEY AVENUE
SYLMAR, CALIFORNIA 91342-3830

06725 AIR INDUSTRIES CORPORATION
12570 KNOTT STREET
GARDEN GROVE, CALIFORNIA 92641-3932

06950 SCREWCORP VSI AEROSPACE PRODUCTS DIV FAIRCHILD IND DIV
13001 EAST TEMPLE AVENUE PO BOX 730
CITY OF INDUSTRY, CALIFORNIA 91746-1417

08524 DEUTSCH FASTENER CORP SEE CODE V97928

08844 NORCO, INCORPORATED
139 ETHAN ALLEN HIGHWAY
RIDGEFIELD, CONNECTICUT 06877

11815 CHERRY AEROSPACE FASTENERS DIV OF TEXTRON
1224 EAST WARNER AVENUE PO BOX 2157
SANTA ANA, CALIFORNIA 92707-0157

15653 MICRODOT INC AEROSPACE FASTENING SYS KAYNAR MFG DIV
800 SOUTH STATE COLLEGE BLVD PO BOX 3001
FULLERTON, CALIFORNIA 92634-3001

71-11-45

ILLUSTRATED PARTS LIST
01.1 Page 1002
Jun 01/95

VENDORS

17943 FEDERAL MANUFACTURING CORPORATION
9825 DESOTO AVENUE
CHATSWORTH, CALIFORNIA 91311

26390 USE CODE V29372

27624 PB FASTENERS DIV OF BRILES PAUL R
1700 WEST 132ND STREET
GARDENA, CALIFORNIA 90249

34252 GULF OIL CO USA DIV OF GULF OIL CORP
PO BOX 1519
HOUSTON, TEXAS 77001

50294 NEW HAMPSHIRE BALL BEARINGS INC
9730 INDEPENDENCE AVENUE PO BOX 2515
CHATSWORTH, CALIFORNIA 91311-4323

52828 REPUBLIC FASTENER MFG CORP
1300 RANCHO CONEJO BLVD
NEWBURY PARK, CALIFORNIA 91320-1405

56878 SPS TECHNOLOGIES INC AEROSPACE AND INDUSTRIAL PRODUCTS DIV
HIGHLAND AVENUE
JENKINTOWN, PENNSYLVANIA 19046

57606 PSI BEARINGS INC
2175 UNION PLACE
SIMI VALLEY, CALIFORNIA 93065

60516 WEST COAST AEROSPACE INC
812 MIRAFLORES STREET
SAN PEDRO, CALIFORNIA 90731-1439

71087 BOOTS ACFT NUT DIV TOWNSEND CO SEE TEXTRON INC CHERRY
FASTENER TOWNSEND DIV V11815

72962 ELASTIC STOP NUT A DIV OF HARTFORD INDUSTRIES INC
2330 VAUXHALL ROAD
UNION, NEW JERSEY 07083-5038

71-11-45

VENDORS

73197 HI-SHEAR TECHNOLOGY CORP
2600 SKYPARK DRIVE
TORRANCE, CALIFORNIA 90509

80539 SPS TECHNOLOGIES INC AEROSPACE PRODUCTS DIV
2701 SOUTH HARBOR BOULEVARD PO BOX 1259
SANTA ANA, CALIFORNIA 92702-1259

83014 HARTWELL CORPORATION
900 SOUTH RICHFIELD ROAD
PLACENTIA, CALIFORNIA 92670-6732

83553 ASSOCIATED SPRING CORP BARNES GROUP
15001 SOUTH BROADWAY PO BOX 231
GARDENA, CALIFORNIA 90248-1819

84256 AVIBANK MANUFACTURING COMPANY
210 SOUTH VICTORY BLVD PO BOX 391
BURBANK, CALIFORNIA 91503

92215 FAIRCHILD IND INC FAIRCHILD AEROSP FASTNR DIV DESIGN & ENGRG
3000 WEST LOMITA BLVD
TORRANCE, CALIFORNIA 90505-5102

92595 AUTOMATIC SCREW MACHINE PRODUCTS CO
PO BOX 1608 709 2ND AVENUE SE
DECATUR, ALABAMA 35602

93907 TEXTRON INC CAMCAR DIV
600 18TH AVENUE
ROCKFORD, ILLINOIS 61101

97928 DEUTSCH FASTENER CORP
3969 PARAMONT BOULEVARD
LAKEWOOD, CALIFORNIA 90712-4193

99862 CARR LANE MANUFACTURING COMPANY
4200 CARR LANE CT
ST. LOUIS, MISSOURI 63119-2129

71-11-45

ILLUSTRATED PARTS LIST
01.1 Page 1004
Jun 01/95

015T0109 015T0132
 015T0412 015T0437
 015T0540 315T1001
 314T1210

 **BOEING**
 COMPONENT
 MAINTENANCE MANUAL

PART NUMBER	AIRLINE PART NO.	FIG.	ITEM	TTL REQ	
AMB7		1	111	1	
		1	144	1	
		1	215	1	
		1	278	1	
		2	80	1	
		2	130	1	
		2	190	1	
		2	240	1	
	AMB7-110		1	111	1
			1	144	1
		1	215	1	
		1	278	1	
		2	80	1	
		2	130	1	
		2	190	1	
		2	240	1	
AN960-416			1	308	1
			1	347	16
		1	564	4	
		2	360	16	
		2	601	4	
		1	371	7	
AN960-516		2	410	7	
		1	772	4	
AN960C10		2	720	4	
AN960C10L		1	900	8	
AN960C416L		2	972	8	
		1	874	6	
		1	877	6	
		2	915	6	
		2	918	6	
		1	754	8	
AN960C6		2	702	8	
		2	325	1	
AN960C616		3	75	1	
AN960C8L		1	890G	30	
AN960KD10		2	933	30	
		1	811M	2	
AN960KD416L		2	769	2	
		1	790A	2	
AN960KD516L		2	738A	2	
		1	322G	1	
AN960KD8		1	796A	9	
		2	747	9	

71-11-45

ILLUSTRATED PARTS LIST
 01.1 Page 1005
 Jun 01/95

PART NUMBER	AIRLINE PART NO.	FIG.	ITEM	TTL REQ
AN960PD10		1	862	31
AN960PD10		2	906	31
AN960XC416L		1	320A	1
A2739-5		1	314A	1
		4	50	1
A2974-1		1	314C	1
		2	330	1
		3	85	1
		4	50A	1
BACB28AM04B015A		1	814	2
		2	811	2
BACB28AM05B013A		1	377	1
		2	420	1
BACB28AM05B023A		1	380	1
		1	473	2
		1	500	2
		1	527	2
		1	554	1
		2	425	1
		2	545	2
		2	560	2
		2	575	2
		2	590	1
BACB28AM05C015		1	326A	1
BACB28AM06C015A		1	327	1
		2	335	1
BACB28U3G110		2	275	1
		3	30	1
BACB28X6M025		1	386	4
		2	435	4
BACB30LH2-10		1	794A	4
		2	744A	4
BACB30LH2-8		1	793	5
		1	794	4
		2	741	5
		2	744	4
BACB30LH3-10		1	766	2
		2	714	2
BACB30LH3-12		1	769	2
		2	717	2
BACB30LH3U3		1	898A	8
		2	969	8
BACB30LJ3-34		2	265	1
		3	20	1
BACB30LL3U5		1	898	8
BACB30LR4-15		1	345	2
		2	355	2

71-11-45

 ILLUSTRATED PARTS LIST
 01.1 Page 1006
 Jun 01/95

015T0109 015T0132
 015T0412 015T0437
 015T0540 315T1001
 314T1210

 **BOEING**
 COMPONENT
 MAINTENANCE MANUAL

PART NUMBER	AIRLINE PART NO.	FIG.	ITEM	TTL REQ
BACB30LR4-17		1	341	2
		2	350	2
BACB30LT5D31		1	370A	3
		2	405	3
BACB30LT5D33		1	368	1
		2	400	1
BACB30MY5K3		1	814G	4
		2	814	4
BACB30MY6-7		1	811J	2
		2	767	2
BACB30MY8K4		1	293	2
BACB30NN3K3		1	76	4
		2	64	4
BACB30NN3K4		1	861	7
		2	903	7
BACB30NT3K2		4	5	2
BACB30NU3K4		1	856	21
		2	900	21
BACB30NU3K5		1	859	10
		2	897	10
BACB30NW5K3		1	559	4
		1	691F	8
		1	814K	4
		2	596	4
		2	635	8
		2	817	4
BACB30NW5K4		1	812	4
		1	812N	2
		2	781	4
		2	787	2
BACB30NW6K10		1	33	1
		2	35	1
BACB30NW6K11		1	30	2
		2	30	2
BACB30NW6K12		1	24	2
		2	20	2
BACB30NW6K13		1	18	2
		2	10	2
BACB30NW6K14		1	27	1
		2	25	1
BACB30NW6K15		1	21	1
		2	15	1
BACB30NW6K3		1	696	18
		2	640	18

71-11-45

ILLUSTRATED PARTS LIST
 01.1 Page 1007
 Jun 01/95

PART NUMBER	AIRLINE PART NO.	FIG.	ITEM	TTL REQ
BACB30NW6K4		1	699	2
		1	812R	4
		2	643	2
		2	793	4
BACB30NW6K5		1	702	10
		2	646	10
BACB30NW6K6		1	814U	10
		2	826	10
BACB30NW6K9		1	36	1
		2	40	1
BACB30NX10K6		1	126	3
		1	129A	1
		1	194	3
BACB30NX10K6		2	95	4
		2	145	3
		1	129B	1
BACB30NX10K6X		1	45	2
		1	132A	1
BACB30NX10K9		2	55	2
		2	100	1
BACB30NX10K9X		1	132B	1
		1	823	3
BACB30NX6K4		2	865	3
		1	269	4
BACB30NX6K7		2	215	4
		1	200	1
BACB30NX8K5		1	263	3
		2	155	1
		2	205	3
BACB30NX8K9		1	203A	1
		2	160	1
BACB30NX8K9X		1	203B	1
		1	305	1
BACB30PU4D11		1	35	1
BACC13Y3B50		4	35	1
BACC30AB5S		1	559F	4
		1	691M	8
		1	812G	4
		1	812P	2
		1	814N	8
		2	596F	4
		2	635F	8
		2	784	4
		2	790	2
		2	820	8

71-11-45

 ILLUSTRATED PARTS LIST
 01.1 Page 1008
 Jun 01/95

015T0109 015T0132
 015T0412 015T0437
 015T0540 315T1001
 314T1210

 **BOEING**
 COMPONENT
 MAINTENANCE MANUAL

PART NUMBER	AIRLINE PART NO.	FIG.	ITEM	TTL REQ
BACC30AB6S		1	705	30
		1	812S	4
		1	814X	10
		2	649	30
		2	796	4
		2	829	10
BACC30AG6		1	42	10
		2	50	10
BACC30M8		1	296	2
BACC30X10SW		1	51	2
		1	141	5
		1	197	3
		2	61	2
		2	115	5
		2	150	3
BACC30X6S		1	826	3
		2	868	3
BACC30X6SW		1	275	4
		2	225	4
BACC30X8SW		1	212	2
		1	266	3
		2	175	2
		2	210	3
		4	40	1
		1	388Q	2
BACF22U2 BACF3T02G5-100		1	388R	1
		2	485	1
BACF3T02G5-46		1	388V	1
BACF3T03H5-100		1	388P	2
BACF3T03H5-12		1	387F	6
		1	387P	2
		2	450	6
BACF3T03H5-46		1	388U	1
BACN10JC06		1	760	8
		2	708	8
BACN10JC08CM		1	799	9
		2	750	9
BACN10JC3		1	811S	2
		2	775	2

71-11-45

ILLUSTRATED PARTS LIST
 01.1 Page 1009
 Jun 01/95

PART NUMBER	AIRLINE PART NO.	FIG.	ITEM	TTL REQ
BACN10JC3CD		4	10	2
BACN10JC3CM		1	775	4
		1	865	31
		1	902	8
		2	285	1
		2	723	4
		2	909	31
		2	975	8
		3	40	1
BACN10JC4		1	353	16
		1	567	4
		2	370	16
		2	604	4
BACN10JC4CM		1	323	1
BACN10JC6CM		2	320	1
		3	80	1
BACN10JD103ASU		1	311	1
BACN10JD5		1	374	4
		2	415	4
BACN10JR3CF		1	896	7
		2	966	7
BACN10JR3CFM		1	850	4
		2	889	4
BACN10JT3CM		1	80	4
		2	70	4
BACR15BA3AD		1	906	8
BACR15BA5AD		2	663	10
BACR15CE3D		2	666	3
BACR15CE3KE		1	79	8
		1	390	82
		1	393	20
		1	681	82
		1	690	20
		1	711	9
		2	67	8
		2	525	82
		2	535	20
		2	616	82
		2	631	20
		2	655	9
BACR15CE4KE		1	387A	12
		1	387J	4
		1	387S	11
		1	387Y	20
		2	440A	12
		2	455A	11
		2	470A	20

71-11-45

 ILLUSTRATED PARTS LIST
 01.1 Page 1010
 Jun 01/95

015T0109 015T0132
 015T0412 015T0437
 015T0540 315T1001
 314T1210

 **BOEING**
 COMPONENT
 MAINTENANCE MANUAL

PART NUMBER	AIRLINE PART NO.	FIG.	ITEM	TTL REQ
BACR15CE5		1	814R	20
		2	823	20
BACR15CE5D		1	727	8
		1	820A	9
		2	862	9
BACR15CE5KE		1	559T	23
		1	692A	19
		2	596T	23
		2	635T	19
BACR15FT5KE4		1	727A	8
BACS12ER06K8		1	751	8
		2	699	8
BACS18C8-4		1	811P	2
		2	772	2
BACS40R009D016F		1	778A	2
		2	726	2
BACS40R11C48F		1	824	1
		2	892	1
BACS40R12B29F		1	48	1
		2	58	1
BACS40R14B35F		1	138	1
		1	209	1
		2	110	1
BACS40R14B35F		2	170	1
BACS40R29B54F		1	39	1
		2	45	1
BAC27TTR0041		1	911	1
BAC27TTR0043		1	313K	1
		4	55	1
BACREF8660		1	313F	1
BLC4BC18S		4	15	1
BLC4B18SL4		1	312	1
BRF200C3		1	896	7
		2	966	7
BRF200C3M		1	850	4
		2	889	4
BRH10A06		1	760	8
		2	708	8
BRH10A3		1	811S	2
		2	775	2
BRH10A4		1	353	16
		1	567	4
		2	370	16
		2	604	4
BRH10A62		1	760	8
		2	708	8

71-11-45

ILLUSTRATED PARTS LIST
 01.1 Page 1011
 Jun 01/95

PART NUMBER	AIRLINE PART NO.	FIG.	ITEM	TTL REQ
BRH10C3D		4	10	2
B0625-022S		1	321	1
B30NW5K3		1	559	4
		1	691F	8
		1	814K	4
		2	596	4
		2	635	8
		2	817	4
B30NW5K4		1	812	4
		1	812N	2
		2	781	4
		2	787	2
B30NW6K10		1	33	1
		2	35	1
B30NW6K11		1	30	2
		2	30	2
B30NW6K12		1	24	2
		2	20	2
B30NW6K13		1	18	2
		2	10	2
B30NW6K14		1	27	1
B30NW6K14		2	25	1
B30NW6K15		1	21	1
		2	15	1
B30NW6K3		1	696	18
		2	640	18
B30NW6K4		1	699	2
		1	812R	4
		2	643	2
		2	793	4
B30NW6K5		1	702	10
		2	646	10
B30NW6K6		1	814U	10
		2	826	10
B30NW6K9		1	36	1
		2	40	1
CL100-3B50		4	35	1
CL4BLPB1-8SL4		1	312A	1
CL4BLPB18S		4	15A	1
CL4F		4	40	1
CSR904B5-4		1	559M	22
		1	691T	32
		2	596M	22
		2	635M	32

71-11-45

 ILLUSTRATED PARTS LIST
 01.1 Page 1012
 Jun 01/95

015T0109 015T0132
 015T0412 015T0437
 015T0540 315T1001
 314T1210

 **BOEING**
 COMPONENT
 MAINTENANCE MANUAL

PART NUMBER	AIRLINE PART NO.	FIG.	ITEM	TTL REQ
F1967-01-3		1	80	4
		2	70	4
F5001-3BAC		1	850	4
		2	889	4
F5031-3BAC		1	896	7
		2	966	7
HL10VAZ5-3		1	814G	4
		2	814	4
HL10VAZ8-4		1	293	2
		1	559	4
HL11VAZ5-3		1	691F	8
		1	814K	4
		2	596	4
		2	635	8
		2	817	4
		1	812	4
HL11VAZ5-4		1	812N	2
		2	781	4
		2	787	2
		1	33	1
HL11VAZ6-10		2	35	1
		1	30	2
HL11VAZ6-11		2	30	2
		1	24	2
HL11VAZ6-12		2	20	2
		1	18	2
HL11VAZ6-13		2	10	2
		1	27	1
HL11VAZ6-14		2	25	1
		1	21	1
HL11VAZ6-15		2	15	1
		1	696	18
HL11VAZ6-3		2	640	18
		1	699	2
HL11VAZ6-4		1	812R	4
		2	643	2
		2	793	4
		1	702	10
HL11VAZ6-5		2	646	10
		1	814U	10
HL11VAZ6-6		2	826	10
		1	36	1
HL11VAZ6-9		2	40	1
		1	699	2
HL11V6-4		1	812R	4
		2	643	2
		2	793	4

71-11-45

ILLUSTRATED PARTS LIST
 01.1 Page 1013
 Jun 01/95

PART NUMBER	AIRLINE PART NO.	FIG.	ITEM	TTL REQ
HL11V6-5		1	702	10
		2	646	10
HL1187DUW10		1	51	2
		1	141	5
		1	197	3
		2	61	2
		2	115	5
		2	150	3
HL1187DUW6		1	275	4
		2	225	4
HL1187DUW8		1	212	2
HL1187DUW8		1	266	3
		2	175	2
		2	210	3
HL1187DU6		1	826	3
		2	868	3
HL12-4		1	823	3
		2	865	3
HL12-7		1	269	4
		2	215	4
HL12-8K9X		1	203B	1
HL12VAZ10-6		1	126	3
		1	129A	1
		1	194	3
		2	95	4
		2	145	3
HL12VAZ10-9		1	45	2
		1	132A	1
		2	55	2
		2	100	1
HL12VAZ6-4		1	823	3
		2	865	3
HL12VAZ6-7		1	269	4
		2	215	4
HL12VAZ8-5		1	200	1
		1	263	3
		2	155	1
		2	205	3
HL12VAZ8-9		1	203A	1
		2	160	1
HL12VAZ8-9X		1	203B	1
HL79-8		1	296	2
HL82-6APBW		1	42	10
		2	50	10

71-11-45

 ILLUSTRATED PARTS LIST
 01.1 Page 1014
 Jun 01/95

015T0109 015T0132
 015T0412 015T0437
 015T0540 315T1001
 314T1210

 **BOEING**
 COMPONENT
 MAINTENANCE MANUAL

PART NUMBER	AIRLINE PART NO.	FIG.	ITEM	TTL REQ
HL87DUW10		1	51	2
		1	141	5
		1	197	3
		2	61	2
		2	115	5
		2	150	3
HL87DUW6		1	275	4
		2	225	4
HL87DUW8		1	212	2
		1	266	3
		2	175	2
HL87DU6		2	210	3
		1	826	3
		2	868	3
HL97DU5		1	559F	4
		1	691M	8
		1	812G	4
		1	812P	2
		1	814N	8
		2	596F	4
		2	635F	8
		2	784	4
		2	790	2
		2	820	8
HL97DU6		1	705	30
		1	812S	4
		1	814X	10
		2	649	30
		2	796	4
		2	829	10
		1	799	9
H01-08BAC		2	750	9
		1	775	4
H01-3BAC		1	865	31
		1	902	8
		2	285	1
		2	723	4
		2	909	31
H01-4BAC		2	975	8
		3	40	1
		1	323	1
		2	320	1
H01-6BAC		3	80	1
		1	760	8
H10-06BAC		2	708	8

71-11-45

ILLUSTRATED PARTS LIST
 01.1 Page 1015
 Jun 01/95

PART NUMBER	AIRLINE PART NO.	FIG.	ITEM	TTL REQ
H10-3BAC		1	811S	2
		2	775	2
H10-4BAC		1	353	16
		1	567	4
		2	370	16
		2	604	4
H2827-9		1	362B	4
		2	390A	4
H2840-3		1	383B	4
		2	430	4
H3018-102		1	763	2
		2	711	2
H51650-3BAC		4	10	2
KFN542-3S		1	275A	4
		2	225A	4
L8006-7		1	811J	2
		2	767	2
L802-10K6		1	126	3
		1	129A	1
		1	194	3
		2	95	4
		2	145	3
L802-10K9		1	45	2
		1	132A	1
		2	55	2
		2	100	1
L802-6K4		1	823	3
		2	865	3
L802-6K7		1	269	4
L802-6K7		2	215	4
L802-8K5		1	200	1
		1	263	3
		2	155	1
		2	205	3
L802-8K9		1	203A	1
		2	160	1
L802-8K9X		1	203B	1
L803-5K3		1	559	4
		1	691F	8
		1	814K	4
		2	596	4
		2	635	8
		2	817	4

71-11-45

 ILLUSTRATED PARTS LIST
 01.1 Page 1016
 Jun 01/95

015T0109 015T0132
 015T0412 015T0437
 015T0540 315T1001
 314T1210

 **BOEING**
 COMPONENT
 MAINTENANCE MANUAL

PART NUMBER	AIRLINE PART NO.	FIG.	ITEM	TTL REQ
L803-5K4		1	812	4
		1	812N	2
		2	781	4
L803-6-4		2	787	2
		1	699	2
		1	812R	4
L803-6-5		2	643	2
		2	793	4
		1	702	10
L803-6K10		2	646	10
		1	33	1
L803-6K11		2	35	1
		1	30	2
L803-6K12		2	30	2
		1	24	2
L803-6K13		2	20	2
		1	18	2
L803-6K14		2	10	2
		1	27	1
L803-6K15		2	25	1
		1	21	1
L803-6K3		2	15	1
		1	696	18
L803-6K4		2	640	18
		1	699	2
L803-6K5		1	812R	4
		2	643	2
		2	793	4
		1	702	10
L803-6K6		2	646	10
		1	814U	10
L803-6K9		2	826	10
		1	36	1
		2	40	1

71-11-45

ILLUSTRATED PARTS LIST
 01.1 Page 1017
 Jun 01/95

PART NUMBER	AIRLINE PART NO.	FIG.	ITEM	TTL REQ
MS16562-10		1	746	2
		2	693	2
MS16562-9		1	743	2
		2	690	2
MS17984C418		4	15B	1
MS20427M3		1	895G	14
		2	963	14
MS20427M3-3		1	847	8
		2	886	8
MS20427M4		1	892G	11
		1	894	11
		2	942	11
		2	954	11
MS20427M5		1	892	2
		2	945	2
MS20427M6C		1	389Y	9
		1	679F	9
		2	515	9
		2	610	9
MS20470AD4-20		4	45	2
MS20615-5M		1	890A	30
		2	930	30
MS21140-0603P		1	708	6
		2	652	6
MS21919WCJ18		4	30	2
MS21919WCJ5		4	25	2
MS24665-134		1	365	4
		2	395	4
MS24665-151		1	302	1
MS27183-12		1	322	1
MS27253-2		1	908	1
MS35842-16		1	312D	1
MS51861-15C		1	313B	1
NAS1056C6-046		2	280	2
		3	35	2

71-11-45

 ILLUSTRATED PARTS LIST
 01.1 Page 1018
 Jun 01/95

015T0109 015T0132
 015T0412 015T0437
 015T0540 315T1001
 314T1210

 **BOEING**
 COMPONENT
 MAINTENANCE MANUAL

PART NUMBER	AIRLINE PART NO.	FIG.	ITEM	TTL REQ
NAS1922-0700		1	312E	1
NAS6703U4		1	829	4
		2	871	4
NAS6704-12		1	331	2
NAS6704-13		1	329	2
		1	330	4
NAS6704-13		1	331A	2
		2	340	4
NAS6704-14		1	330A	4
		1	335	4
		2	345	8
NAS6704HU2		1	871	6
		2	912	6
NS103203SE02		1	850	4
		2	889	4
NS103203S02		1	896	7
		2	966	7
NS202101-02		1	811S	2
		2	775	2
NS202101-048		1	353	16
		1	567	4
		2	370	16
		2	604	4
NS202101-62		1	760	8
		2	708	8
NS202101SE02		1	775	4
		1	865	31
		1	902	8
		2	285	1
		2	723	4
		2	909	31
		2	975	8
		3	40	1

71-11-45

ILLUSTRATED PARTS LIST
 01.1 Page 1019
 Jun 01/95

PART NUMBER	AIRLINE PART NO.	FIG.	ITEM	TTL REQ
NS202101SE048		1	323	1
NS202101SE82		1	799	9
		2	750	9
NS202486-02		4	10	2
P20660		1	111	1
		1	144	1
		1	215	1
		1	278	1
		2	80	1
		2	130	1
		2	190	1
		2	240	1
RC1108		1	299	1
RMLH9075-3W		1	811S	2
		2	775	2
RMLH9075-4W		1	353	16
		1	567	4
		2	370	16
RMLH9075-4W		2	604	4
RMLH9075-62W		1	760	8
		2	708	8
S302T001-300A		1	111	1
		1	144	1
		1	215	1
		1	278	1
		2	80	1
		2	130	1
		2	190	1
		2	240	1
S314N102-2		1	383C	4
		2	430A	4
S314N104-2		1	362A	4
		2	390	4
S314T220-12		1	314C	1
		2	330	1
		3	85	1
		4	50A	1

71-11-45

 ILLUSTRATED PARTS LIST
 01.1 Page 1020
 Jun 01/95

015T0109 015T0132
 015T0412 015T0437
 015T0540 315T1001
 314T1210

 **BOEING**
 COMPONENT
 MAINTENANCE MANUAL

PART NUMBER	AIRLINE PART NO.	FIG.	ITEM	TTL REQ
S314T220-3		1	299	1
S314T220-6		1	314A	1
		4	50	1
T6C1032CD		4	10	2
T6C1032JM		1	775	4
		1	865	31
		1	902	8
		2	285	1
		2	723	4
		2	909	31
		2	975	8
		3	40	1
T6C428JM		1	323	1
T6C832JM		1	799	9
		2	750	9
T6S1032J		1	811S	2
		2	775	2
T6S428J		1	353	16
		1	567	4
		2	370	16
		2	604	4
T6S632J		1	760	8
T6S632J		2	708	8
T8092C1032		1	850	4
		2	889	4
T8093C1032		1	896	7
		2	966	7
VN152B1-02		1	896	7
		2	966	7
VN152D1-02		1	850	4
		2	889	4
VN303A02		1	811S	2
		2	775	2

71-11-45

ILLUSTRATED PARTS LIST
 01.1 Page 1021
 Jun 01/95

PART NUMBER	AIRLINE PART NO.	FIG.	ITEM	TTL REQ
VN303A048		1	353	16
		1	567	4
		2	370	16
		2	604	4
VN303A62		1	760	8
		2	708	8
VN303D02		1	775	4
		1	865	31
		1	902	8
		2	285	1
		2	723	4
		2	909	31
		2	975	8
		3	40	1
		1	323	1
		1	799	9
VN303D048		2	750	9
VN303D82		1	111	1
VTB04520		1	144	1
		1	215	1
		1	278	1
		2	80	1
		2	130	1
		2	190	1
		2	240	1
		1	1M	RF
		1	5M	RF
		1	5N	RF
015T0109-43		1	5F	RF
015T0132-3		1	1N	RF
015T0132-4		1	5G	RF
015T0412-4		1	1P	RF
015T0412-5		1	1F	RF
015T0412-6		1	1U	RF
015T0412-7		1	1G	RF
015T0437-47				
015T0437-48				
015T0437-49				

71-11-45

015T0109 015T0132
 015T0412 015T0437
 015T0540 315T1001
 314T1210

 **BOEING**
 COMPONENT
 MAINTENANCE MANUAL

PART NUMBER	AIRLINE PART NO.	FIG.	ITEM	TTL REQ
015T0437-50		1	1H	RF
015T0437-51		1	1K	RF
		2	1D	RF
015T0437-52		1	1L	RF
		2	1E	RF
015T0540-28		1	1V	RF
015T0540-33		1	2	RF
101F9201-3		1	896	7
		2	966	7
102LH3W		4	10	2
102LH9075-6		2	320	1
		3	80	1
109F9201-3		1	850	4
		2	889	4
109F9224-3		1	80	4
		2	70	4
109LH9075-3W		1	775	4
		1	865	31
		1	902	8
		2	285	1
		2	723	4
		2	909	31
		2	975	8
		3	40	1
109LH9075-4W		1	323	1
109LH9075-82W		1	799	9
		2	750	9
312T1003-1		1	904	1
314T1001-10		1	5L	RF
314T1001-11		1	394A	1
		1	691A	1
		2	634B	1
314T1001-3		1	1Q	RF
314T1001-4		1	5H	RF
314T1001-5		1	1R	RF
314T1001-6		1	5J	RF
314T1001-7		1	1S	RF
314T1001-8		1	5K	RF
314T1001-9		1	1T	RF
314T1210-1		1	1	RF
314T1210-108		1	135	1
		1	206	1
		2	105	1
		2	165	1

71-11-45

ILLUSTRATED PARTS LIST
 01.1 Page 1023
 Jun 01/95

PART NUMBER	AIRLINE PART NO.	FIG.	ITEM	TTL REQ
314T1210-133		1	388E	1
314T1210-165		1	570	1
314T1210-167		1	570A	1
314T1210-169		1	570B	1
314T1210-198		1	394	1
		1	691	1
		2	634	1
314T1210-199		1	391	1
		1	682	1
		2	530	1
314T1210-2		1	5	RF
314T1210-201		1	570C	1
314T1210-204		1	389E	1
314T1210-206		1	389B	1
314T1210-208		1	389D	1
314T1210-237		1	388	1
314T1210-238		1	388B	1
314T1210-247		1	1A	RF
314T1210-248		1	5A	RF
314T1210-249		1	570D	1
314T1210-250		1	717	1
		2	661	1
314T1210-315		1	714A	1
		2	658	1
314T1210-317		1	684	1
		2	619	1
314T1210-318		1	685	1
		2	622	1
314T1210-319		1	687	1
		2	625	1
314T1210-320		1	688	1
		2	628	1
314T1210-323		1	692G	1
		2	636	1
314T1210-324		1	560D	1
314T1210-326		1	389G	1
314T1210-327		1	388A	1
		2	475	1
314T1210-328		1	388D	1
		2	480	1
314T1210-329		1	387D	6
		1	387M	2
		2	445	6
314T1210-336		1	389F	1
314T1210-352		1	570G	1

71-11-45

 ILLUSTRATED PARTS LIST
 01.1 Page 1024
 Jun 01/95

015T0109 015T0132
 015T0412 015T0437
 015T0540 315T1001
 314T1210

 **BOEING**
 COMPONENT
 MAINTENANCE MANUAL

PART NUMBER	AIRLINE PART NO.	FIG.	ITEM	TTL REQ
314T1210-353		1	570F	1
314T1210-355		1	570H	1
314T1210-365		1	1B	RF
314T1210-366		1	5B	RF
314T1210-370		1	560C	1
		2	597	1
314T1210-383		1	570J	1
314T1210-384		1	389H	1
314T1210-385		1	387T	1
		2	460	1
314T1210-389		1	570K	1
		2	607	1
314T1210-390		1	389J	1
		2	510	1
314T1210-391		1	272A	1
		2	220	1
314T1210-394		1	387V	1
		2	465	1
314T1210-395		1	388W	1
		2	500	1
314T1210-396		1	388X	1
		2	505	1
314T1210-397		1	388S	1
		2	490	1
314T1210-398		1	388T	1
		2	495	1
314T1210-399		1	570L	1
314T1210-400		1	389K	1
314T1210-408		1	5C	RF
		2	5	RF
314T1210-409		1	1C	RF
		2	1	RF
314T1210-410		2	510A	1
314T1210-411		2	607A	1
314T1210-414		2	597A	1

71-11-45

ILLUSTRATED PARTS LIST
 01.1 Page 1025
 Jun 01/95

PART NUMBER	AIRLINE PART NO.	FIG.	ITEM	TTL REQ
314T1210-415		1	1D	RF
		2	1A	RF
314T1210-416		1	5D	RF
314T1210-416		2	5A	RF
314T1210-417		2	669	1
314T1210-419		2	675	1
314T1210-421		2	672	1
314T1210-431		1	1E	RF
		2	1B	RF
314T1210-432		1	5E	RF
		2	5B	RF
314T1210-433		2	607B	1
314T1210-434		2	510B	1
314T1210-435		2	634A	1
314T1210-5013		1	10G	1
314T1210-5015		1	10H	1
314T1210-5017		1	10J	1
314T1210-5019		1	10K	1
314T1210-5021		1	10L	1
314T1210-5024		1	15M	1
314T1210-5026		1	15N	1
314T1210-5028		1	15P	1
314T1210-5030		1	15Q	1
314T1210-5032		1	15R	1
314T1210-5039		1	13	1
314T1210-5040		1	17	1
314T1210-5059		1	10M	1
314T1210-5060		1	15S	1
314T1210-5062		1	17A	1
314T1210-5064		1	17B	1
314T1210-5065		1	10N	1

71-11-45

 ILLUSTRATED PARTS LIST
 01.1 Page 1026
 Jun 01/95

015T0109 015T0132
 015T0412 015T0437
 015T0540 315T1001
 314T1210

 **BOEING**
 COMPONENT
 MAINTENANCE MANUAL

PART NUMBER	AIRLINE PART NO.	FIG.	ITEM	TTL REQ
314T1210-5066		1	13B	1
314T1210-5067		1	13C	1
314T1210-5068		1	13D	1
314T1210-5069		1	14	1
314T1210-5070		1	17M	1
314T1210-5081		1	14C	1
314T1210-5082		1	17P	1
314T1210-5083		1	14D	1
314T1210-5084		1	17Q	1
314T1210-5085		1	14E	1
314T1210-5086		1	17R	1
314T1210-5089		1	14F	1
314T1210-5090		1	17S	1
314T1210-5092		1	17T	1
314T1210-5093		1	14G	1
314T1210-5095		1	14H	1
314T1210-52		1	388Z	2
314T1210-56		1	692N	1
314T1210-57		1	560P	1
314T1210-66		1	356	1
314T1210-69		1	388Y	2
314T1210-77		1	714	1
314T1210-82		1	272	1
314T1210-84		1	387B	6
		1	387K	2
314T1212-1		1	287	1
314T1212-2		1	290	1
314T1212-3		1	287A	1
314T1212-4		1	290A	1
314T1212-5		1	287B	1
		2	255	1
		3	1	RF
314T1212-5001		2	262	1
		3	10	1
314T1212-5002		2	263	1
		3	15	1
314T1212-5003		2	262A	1
		3	10A	1

71-11-45

ILLUSTRATED PARTS LIST
 01.1 Page 1027
 Jun 01/95

PART NUMBER	AIRLINE PART NO.	FIG.	ITEM	TTL REQ
314T1212-5004		2	263A	1
		3	15A	1
314T1212-6		1	290B	1
		2	260	1
		3	5	RF
314T1212-7		2	270	4
		3	25	4
314T1213-1		1	105A	1
		2	73	1
314T1213-2		1	108A	1
		2	76	1
314T1213-3		1	114A	1
		2	85	1
314T1213-4		1	117A	1
		2	90	1
314T1213-5		1	105	1
314T1213-6		1	108	1
314T1213-7		1	114	1
314T1213-8		1	117	1
314T1214-1		1	120	1
		2	120	1
314T1214-2		1	123	1
		2	125	1
314T1214-3		1	147	1
		2	135	1
314T1214-4		1	150	1
		2	140	1
314T1214-5		1	120A	1
314T1214-6		1	123A	1
314T1214-7		1	147A	1
314T1214-8		1	150A	1
314T1215-1		1	188	1
		2	180	1
314T1215-2		1	191	1
		2	185	1
314T1215-3		1	218	1
		2	195	1
314T1215-4		1	221	1
		2	200	1
314T1215-5		1	188A	1
314T1215-6		1	191A	1
314T1215-7		1	218A	1
314T1215-8		1	221A	1
314T1216-1		1	257	1
		1	258	1

71-11-45

 ILLUSTRATED PARTS LIST
 01.1 Page 1028
 Jun 01/95

015T0109 015T0132
 015T0412 015T0437
 015T0540 315T1001
 314T1210

 **BOEING**
 COMPONENT
 MAINTENANCE MANUAL

PART NUMBER	AIRLINE PART NO.	FIG.	ITEM	TTL REQ
314T1216-15		1	257B	1
314T1216-16		1	260B	1
314T1216-17		1	281B	1
314T1216-18		1	284B	1
314T1216-19		1	257C	1
		2	230	1
314T1216-2		1	260	1
		1	261	1
314T1216-20		1	260C	1
		2	235	1
314T1216-21		1	281C	1
		2	245	1
314T1216-22		1	284C	1
		2	250	1
314T1216-23		1	257D	1
314T1216-24		1	260D	1
314T1216-25		1	281D	1
314T1216-26		1	284D	1
314T1216-3		1	281	1
314T1216-4		1	284	1
314T1216-5		1	257A	1
		1	258A	1
314T1216-6		1	260A	1
		1	261A	1
314T1216-7		1	281A	1
314T1216-8		1	284A	1
314T1220-1		1	533	1
		2	585	1
314T1220-10		1	558	1
314T1220-2		1	557	1
		2	595	1
314T1220-4		1	533C	1
314T1220-5		1	557B	1

71-11-45

ILLUSTRATED PARTS LIST
 01.1 Page 1029
 Jun 01/95

PART NUMBER	AIRLINE PART NO.	FIG.	ITEM	TTL REQ
314T1220-6		1	533D	1
314T1220-9		1	533H	1
314T1221-1		1	509	1
		2	570	1
314T1221-2		1	530	1
		2	580	1
314T1221-4		1	511	1
314T1221-5		1	530A	1
314T1222-1		1	479	1
		2	555	1
314T1222-2		1	506	1
		2	565	1
314T1222-4		1	479A	1
314T1222-5		1	506A	1
314T1223-1		1	455	1
314T1223-2		1	476	1
314T1223-4		1	455A	1
314T1223-5		1	476A	1
314T1223-6		1	455B	1
		2	540	1
314T1223-7		1	476B	1
		2	550	1
314T1230-1		1	737	1
314T1230-1		2	678	1
314T1230-10		1	816L	2
		2	856	2
314T1230-11		1	815L	10
		2	844	10
314T1230-12		1	815P	10
		2	847	10
314T1230-13		1	784	2
		2	732	2
314T1230-14		1	802	1
		2	753	1

71-11-45

 ILLUSTRATED PARTS LIST
 01.1 Page 1030
 Jun 01/95

015T0109 015T0132
 015T0412 015T0437
 015T0540 315T1001
 314T1210

 **BOEING**
 COMPONENT
 MAINTENANCE MANUAL

PART NUMBER	AIRLINE PART NO.	FIG.	ITEM	TTL REQ
314T1230-15		1	781	2
		2	729	2
314T1230-17		1	813	1
		2	799	1
314T1230-18		1	813G	1
		1	813K	2
		2	802	1
314T1230-19		1	813N	1
		2	805	1
314T1230-2		1	740	1
		2	681	1
314T1230-20		1	813R	1
		2	808	1
314T1230-21		1	811V	2
		2	778	2
314T1230-22		1	809	2
		2	762	2
314T1230-23		1	749A	1
		2	696A	1
314T1230-3		1	749	1
		2	696	1
314T1230-5		1	808	1
		2	759	1
		2	850	2
314T1230-5001		1	741	1
		2	684	1
314T1230-5002		1	742	1
		2	687	1
314T1230-5003		1	741A	1
		2	684A	1
314T1230-5004		1	742A	1
		2	687A	1
314T1230-5005		1	741B	1
		2	684B	1
314T1230-5006		1	742B	1
		2	687B	1

71-11-45

ILLUSTRATED PARTS LIST
 01.1 Page 1031
 Jun 01/95

PART NUMBER	AIRLINE PART NO.	FIG.	ITEM	TTL REQ
314T1230-6		1	805	1
		2	756	1
314T1230-7		1	815	1
		2	832	1
		2	838	1
		2	841	1
314T1230-8		1	815A	1
		2	835	1
314T1230-9		1	816J	2
		2	853	2
314T1235-1		1	853	1
		2	895	1
314T1236-1		1	811	1
		2	765	1
314T1237-11		1	841	1
		2	880	1
314T1237-14		1	832	1
		2	874	1
314T1237-15		1	838	1
		2	877	1
314T1237-501		1	817A	1
		2	859	1
314T1237-503		1	844A	1
		2	883	1
314T1238-1		1	693	1
		2	637	1
314T1239-1		1	889A	1
		2	927	1
314T1239-12		1	893	1
		2	948	1
314T1239-13		1	893H	1
		2	951	1
314T1239-14		1	894G	1
		2	957	1
314T1239-16		1	891	1
		2	936	1
314T1239-5		1	891G	1
		2	939	1
314T1239-6		1	895	1
		2	960	1
314T1240-1		1	880	1
		2	921	1
314T1240-11		1	880A	1
		2	921B	1
314T1241-6		1	724	1
314T1331-1		1	905	1
		2	978	1

71-11-45

 ILLUSTRATED PARTS LIST
 01.1 Page 1032
 Jun 01/95

015T0109 015T0132
 015T0412 015T0437
 015T0540 315T1001
 314T1210

 **BOEING**
 COMPONENT
 MAINTENANCE MANUAL

PART NUMBER	AIRLINE PART NO.	FIG.	ITEM	TTL REQ
314T1334-3		2	290	1
		3	45	1
314T1334-4		2	295	1
		3	50	1
314T1335-3		2	305	1
		3	60	1
314T1335-4		2	300	1
		3	55	1
314T1335-5		2	315	1
		3	70	1
314T1335-6		2	300A	1
		3	55A	1
314T1339-10		1	356A	1
		1	358	1
		2	380	1
314T1339-11		1	360	3
		2	385	3
314T1339-9		1	357	1
		2	375	1
314T3019-2		1	561	4
		2	598	4
314T3210-96		1	350	8
		2	365	8
314T3230-24		1	790	2
		2	738	2
314T3230-5		1	816	2
314T3230-8		1	757	2
		2	705	2
314T3231-1		1	787	2
		2	735	2
314T3804-1		1	886	6
		2	924	6
314T3812-2		1	317	1
314T3812-4		1	318	1
315T1606-1		2	310	1
		3	65	1
315T3159-2		1	314B	1
		4	1	RF
315T3159-3		4	20	1
325167		4	40	1
55395-12		1	314D	1
		2	330A	1
		3	85A	1
		4	50B	1

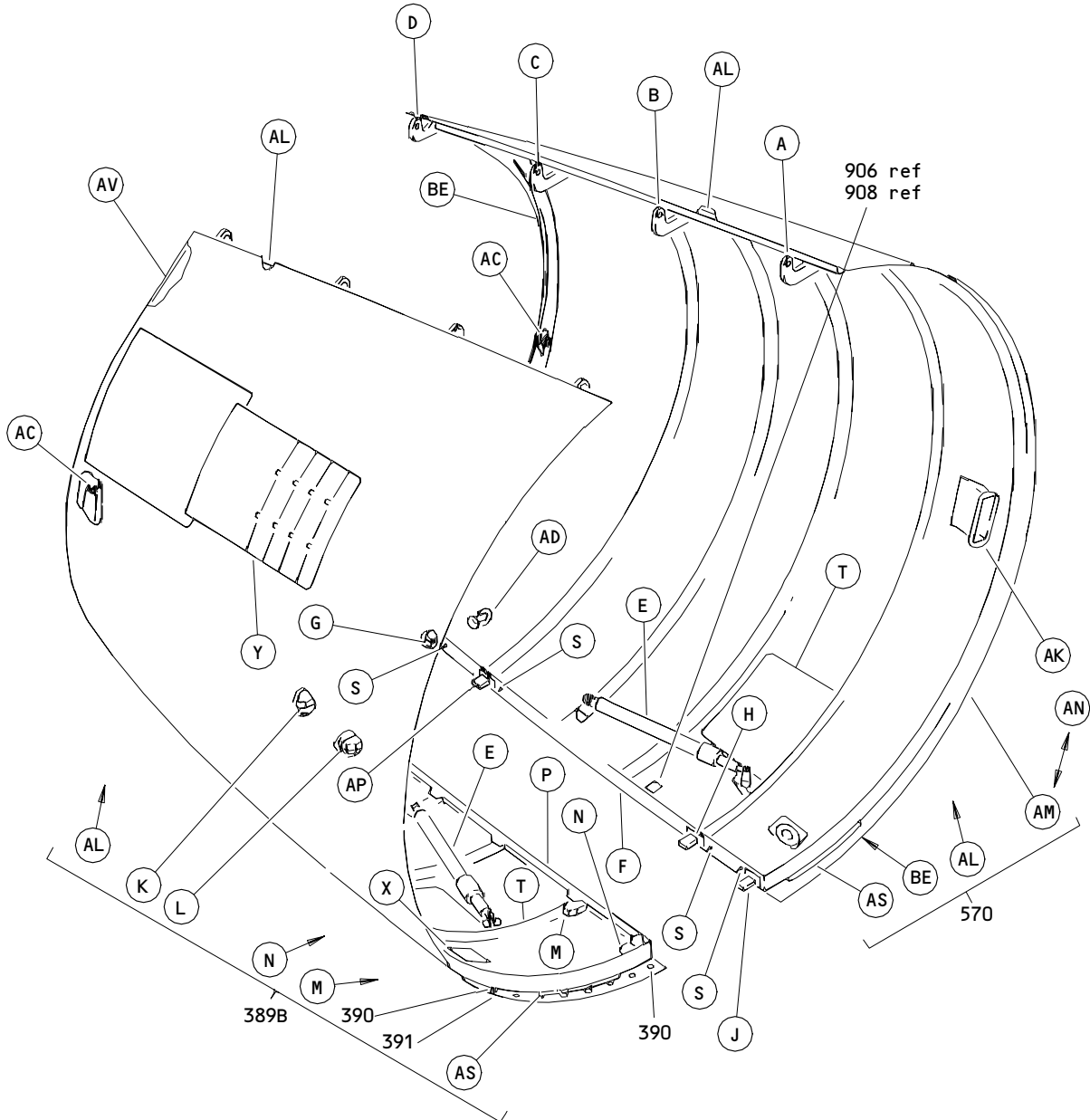
71-11-45

ILLUSTRATED PARTS LIST
 01.1 Page 1033
 Jun 01/95

PART NUMBER	AIRLINE PART NO.	FIG.	ITEM	TTL REQ
60B90300-4		1	763	2
		2	711	2
66014-8		1	296	2
68833-6-7A		1	811J	2
		2	767	2
69-15763-1		1	730	1
69B90687-501		1	389Z	1
		1	680G	1
		2	520	1
		2	613	1
9409-2		1	362A	4
		2	390	4
9415-2		1	383C	4
		2	430A	4
96-02		1	811S	2
		2	775	2
96-048		1	353	16
		1	567	4
		2	370	16
		2	604	4
96-62		1	760	8
		2	708	8
97E02		1	775	4
		1	865	31
		1	902	8
		2	285	1
		2	723	4
		2	909	31
		2	975	8
		3	40	1
97E064		2	320	1
		3	80	1
97E48		1	323	1
97E82		1	799	9
		2	750	9

71-11-45

 ILLUSTRATED PARTS LIST
 01.1 Page 1034
 Jun 01/95



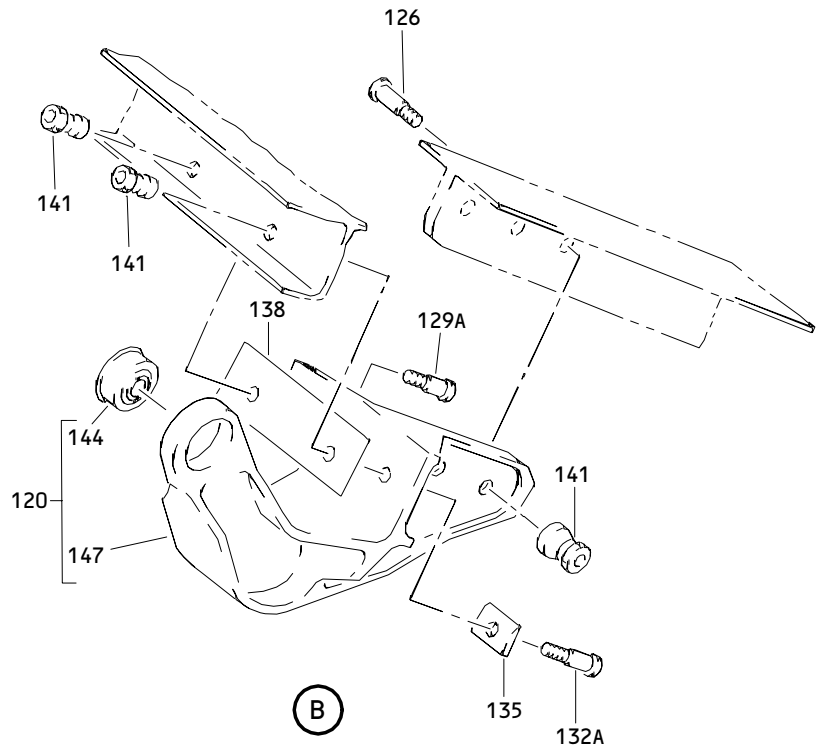
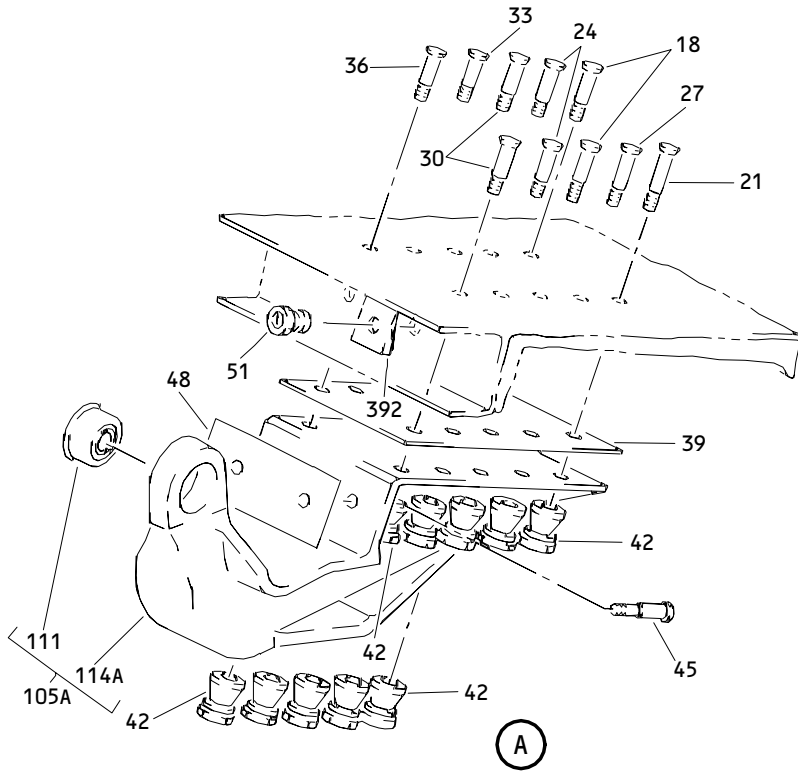
Core Cowl Assembly
 Figure 1 (Sheet 1)

71-11-45

ILLUSTRATED PARTS LIST
 01.1 Page 1036
 Jun 01/95

015T0109 015T0132
 015T0412 015T0437
 015T0540 315T1001
 314T1210

BOEING
 COMPONENT
 MAINTENANCE MANUAL

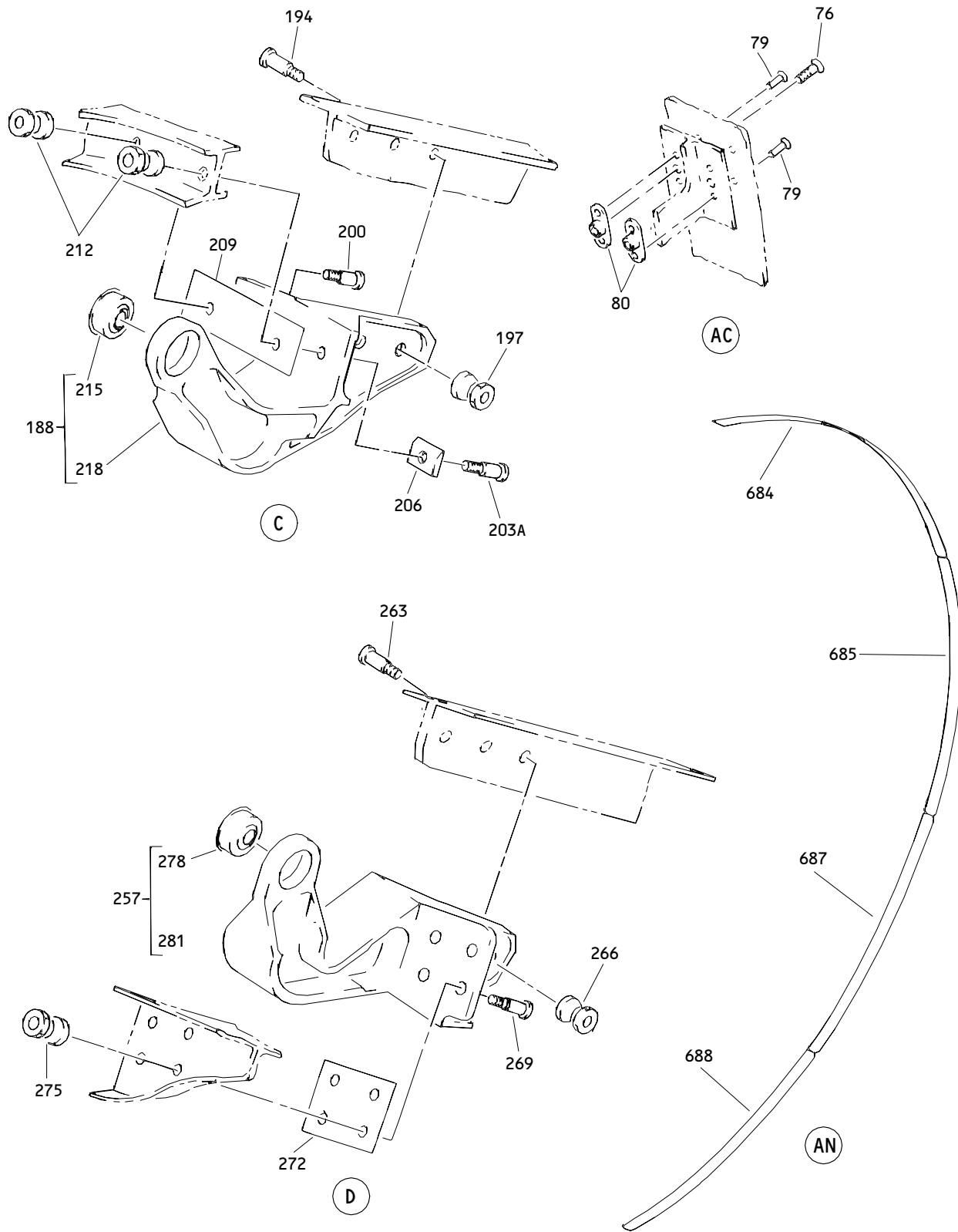


Core Cowl Assembly
 Figure 1 (Sheet 2)

71-11-45

ILLUSTRATED PARTS LIST
 01.1 Page 1037
 Jun 01/95

T99985



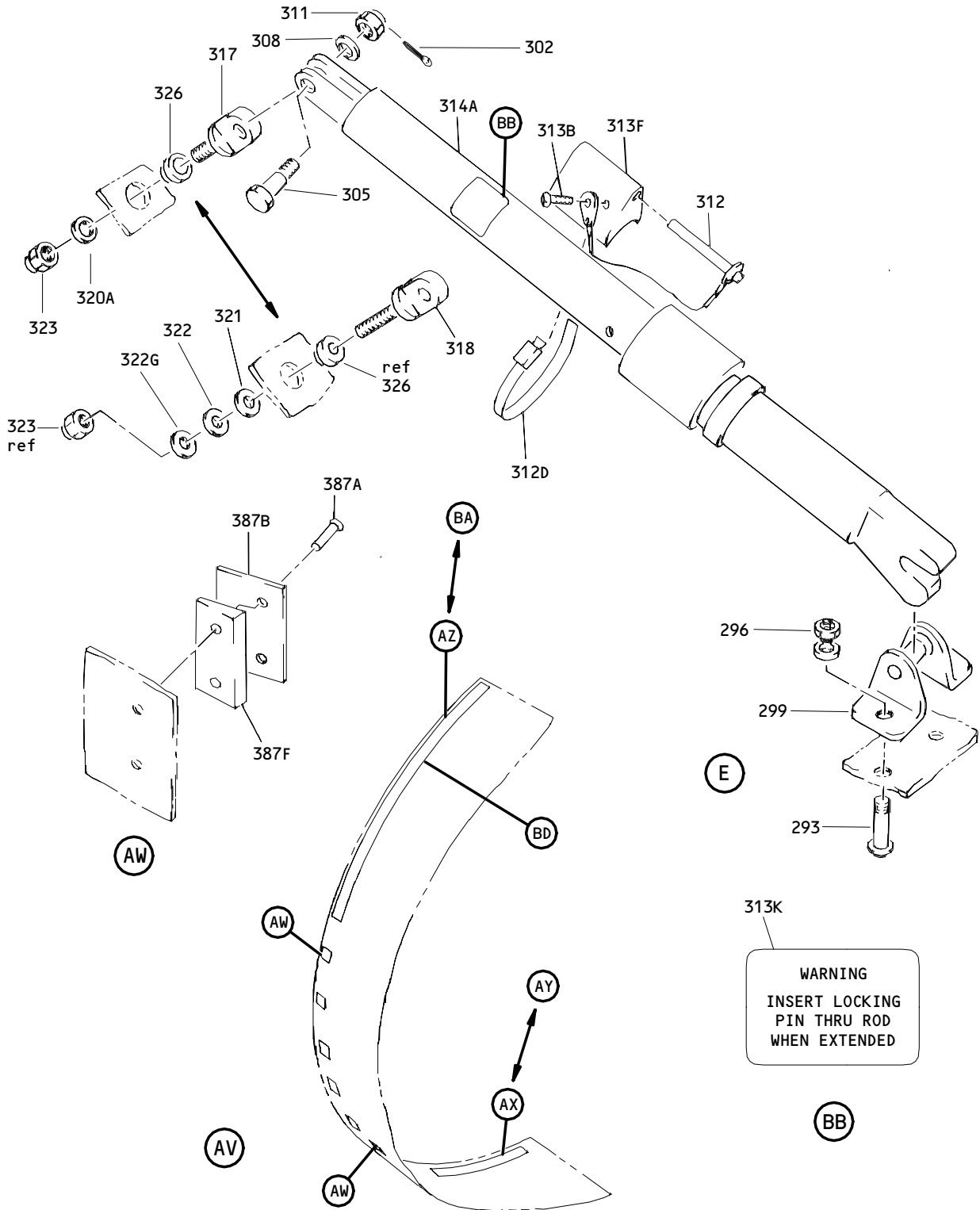
Core Cowl Assembly
 Figure 1 (Sheet 3)

71-11-45

ILLUSTRATED PARTS LIST
 01.1 Page 1038
 Jun 01/95

015T0109 015T0132
 015T0412 015T0437
 015T0540 315T1001
 314T1210

BOEING
 COMPONENT
 MAINTENANCE MANUAL

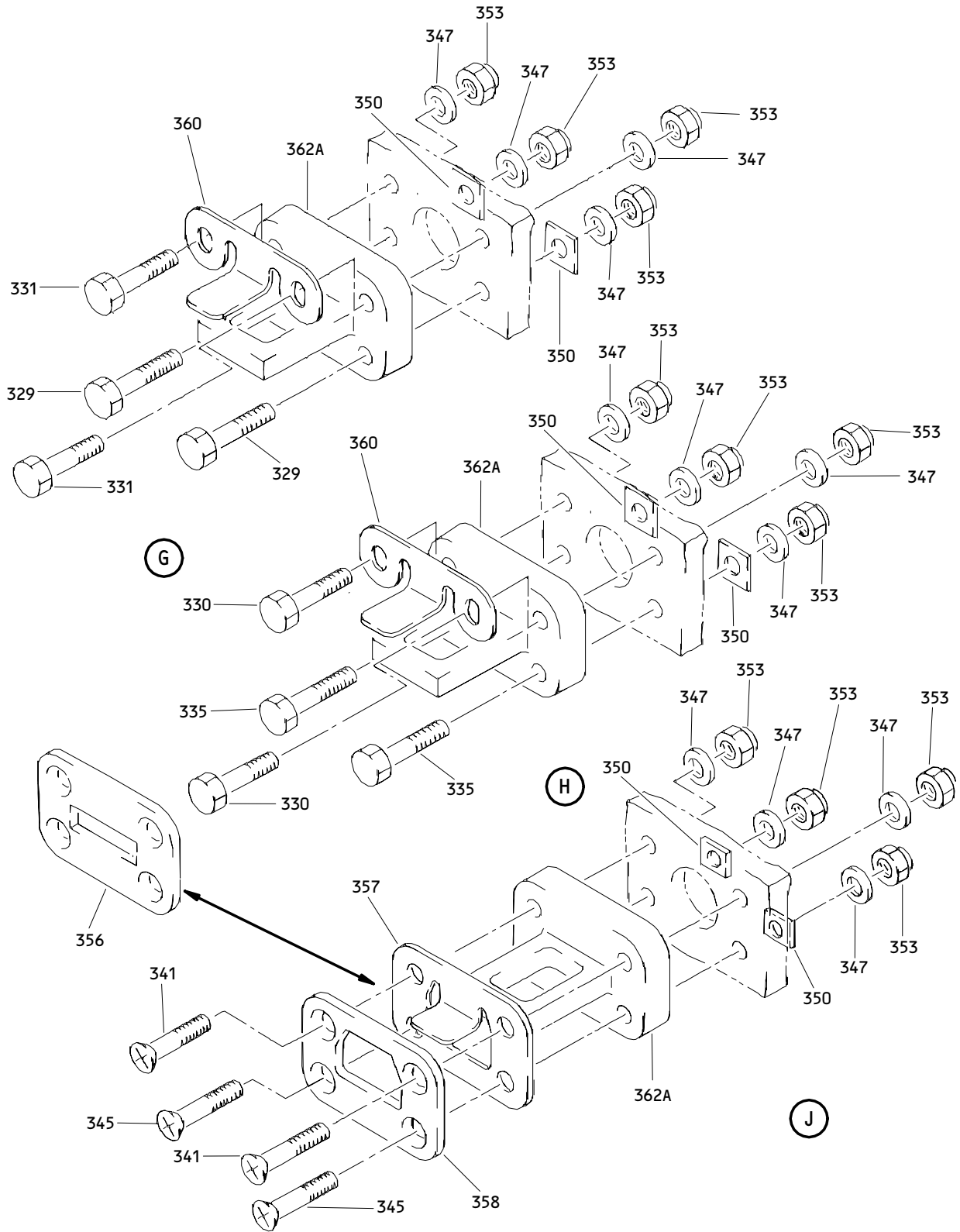


Core Cowl Assembly
 Figure 1 (Sheet 4)

71-11-45

ILLUSTRATED PARTS LIST
 01.1 Page 1039
 Jun 01/95

T99987



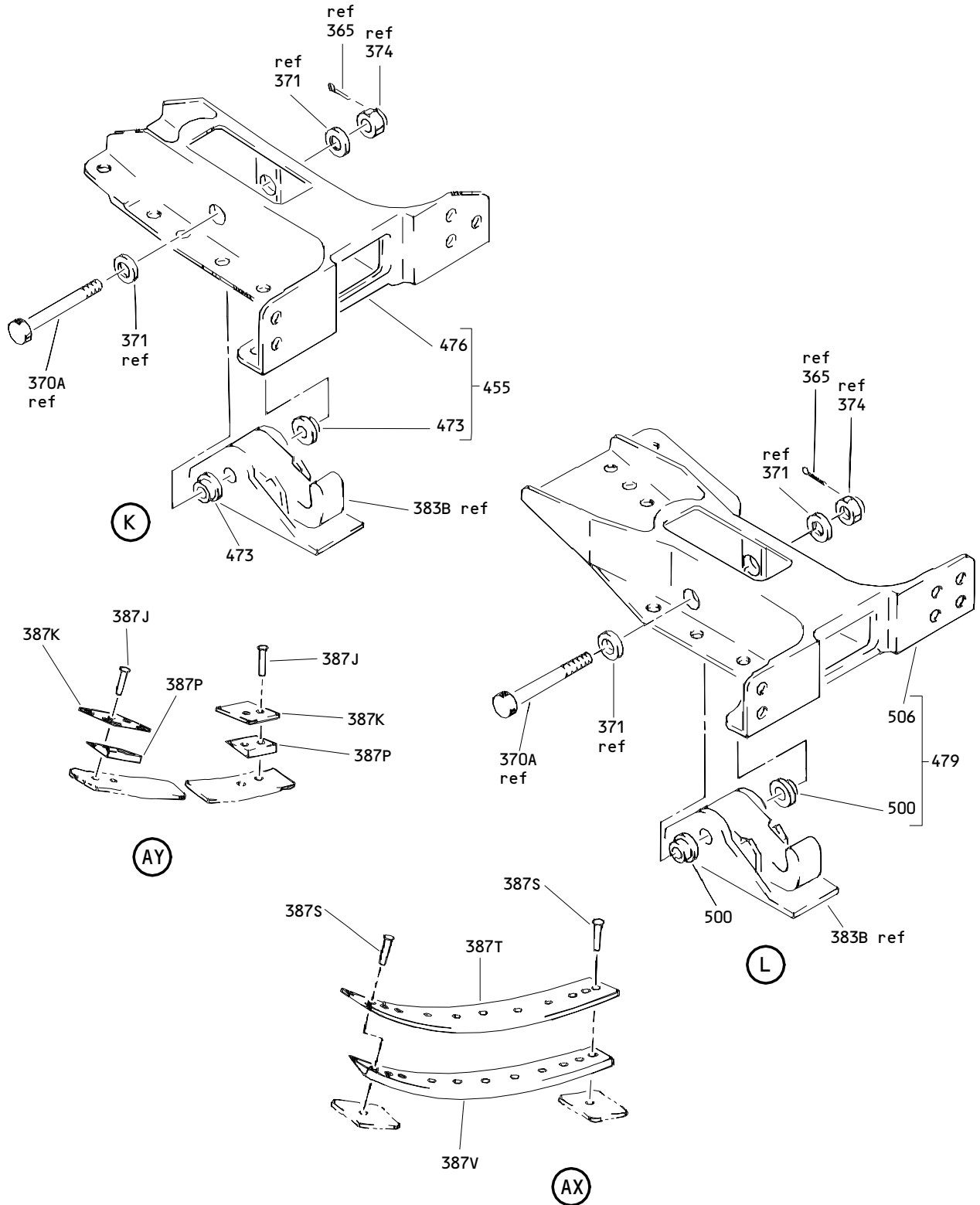
Core Cowl Assembly
 Figure 1 (Sheet 5)

71-11-45

ILLUSTRATED PARTS LIST
 01.1 Page 1040
 Jun 01/95

015T0109 015T0132
 015T0412 015T0437
 015T0540 315T1001
 314T1210

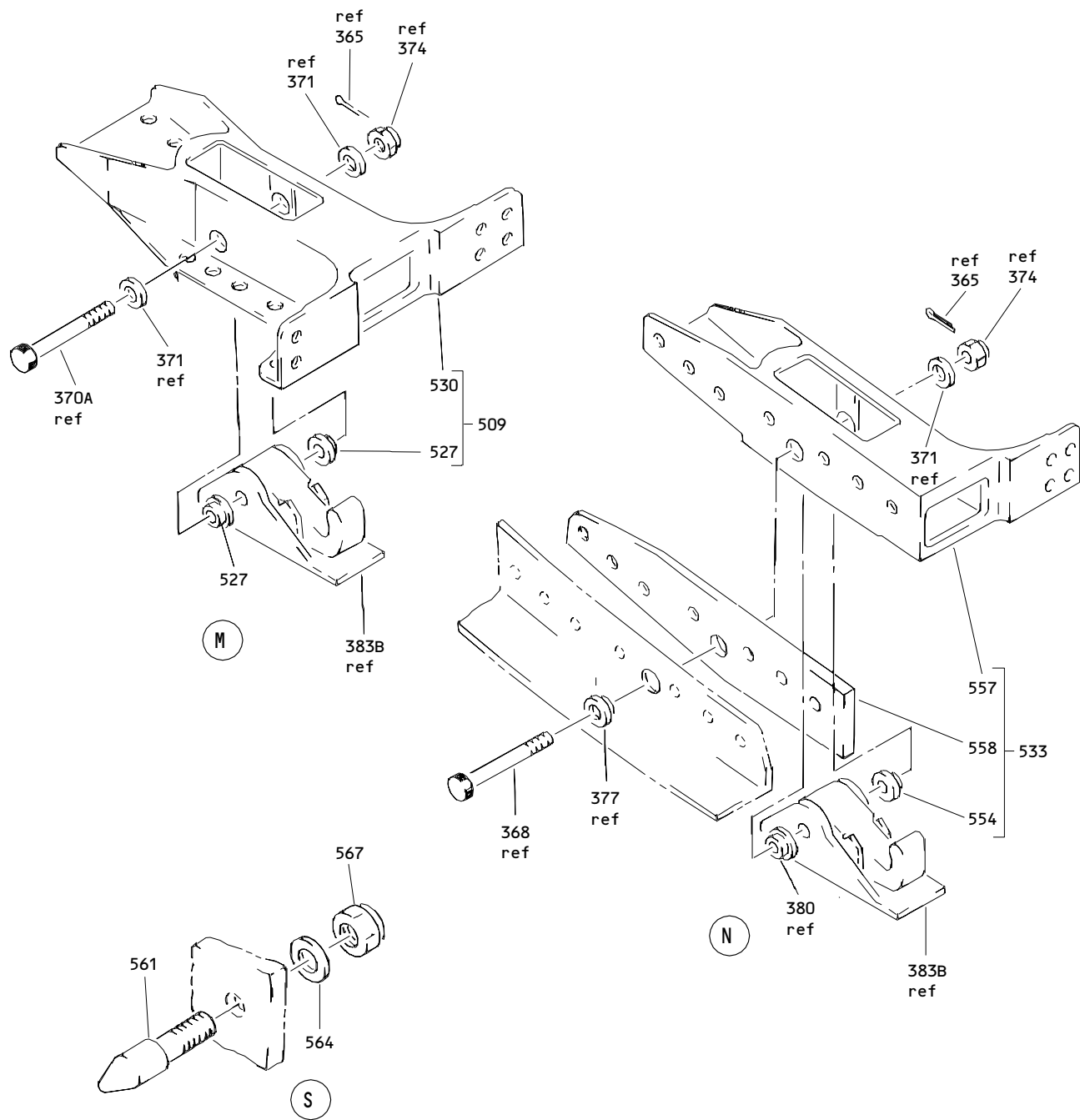
BOEING
 COMPONENT
 MAINTENANCE MANUAL



Core Cowl Assembly
 Figure 1 (Sheet 6)

71-11-45

ILLUSTRATED PARTS LIST
 01.1 Page 1041
 Jun 01/95



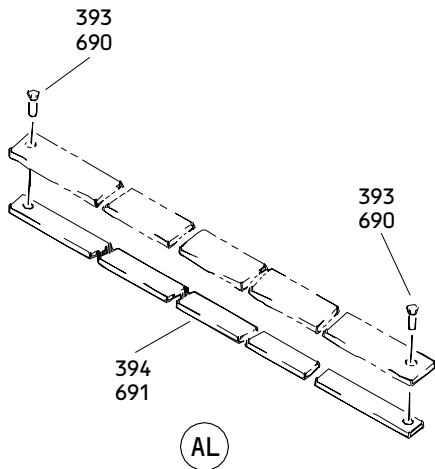
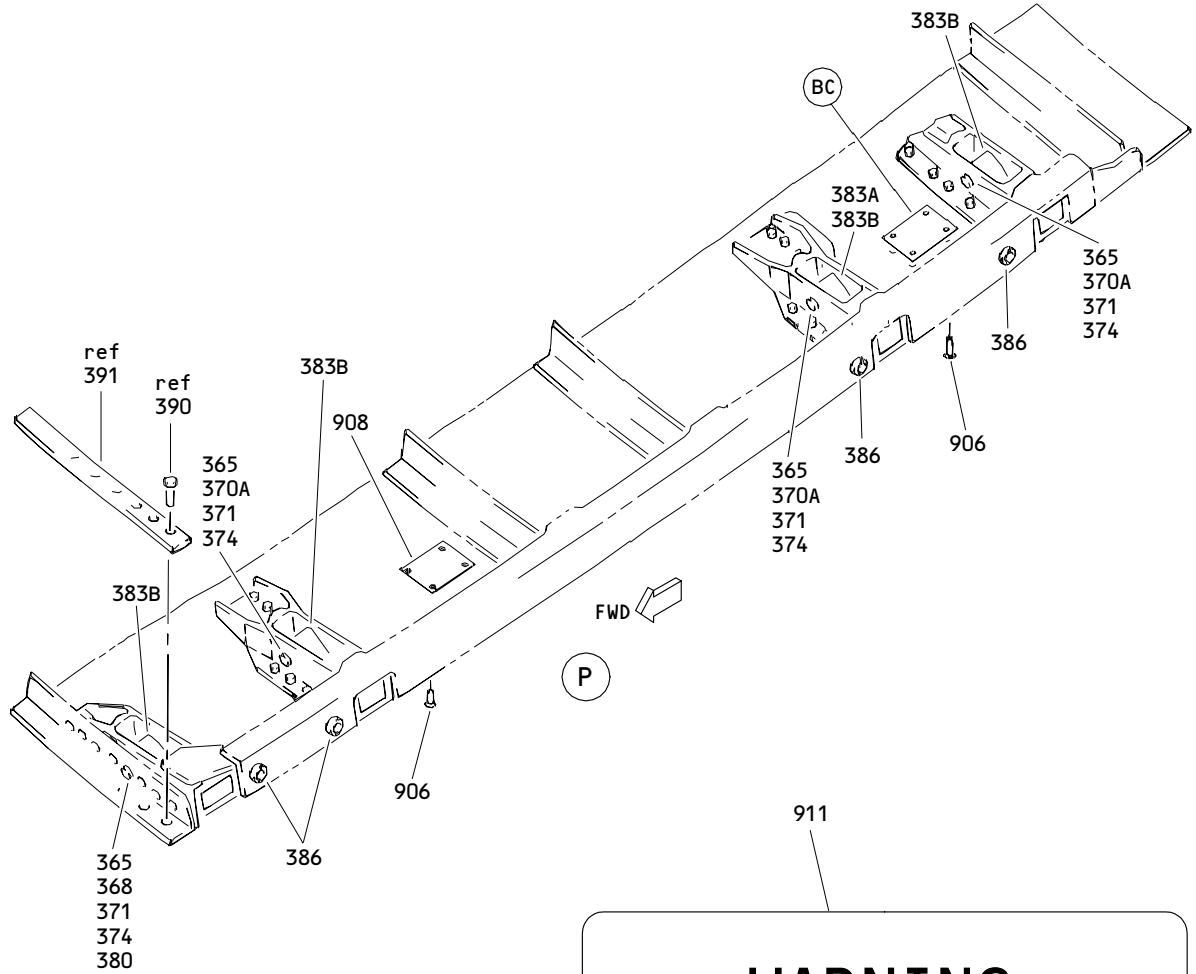
Core Cowl Assembly
 Figure 1 (Sheet 7)

71-11-45

ILLUSTRATED PARTS LIST
 01.1 Page 1042
 Jun 01/95

015T0109 015T0132
 015T0412 015T0437
 015T0540 315T1001
 314T1210

BOEING
 COMPONENT
 MAINTENANCE MANUAL



WARNING

DO NOT STAND BETWEEN CORE COWL AND ENGINE UNLESS CORE COWL IS SUPPORTED BY HOLD OPEN ROD. AN EXPOSED RED BAND WITH THE WORD "UNLOCKED" ON HOLD OPEN ROD INDICATES THE ROD IS NOT LOCKED. THE ROD MUST BE FULLY EXTENDED AND THE RED BAND MUST BE COVERED FOR ROD TO BE LOCKED. SERIOUS INJURY MAY RESULT FROM FALLING CORE COWL PANEL IF ROD IS NOT INSTALLED AND LOCKED

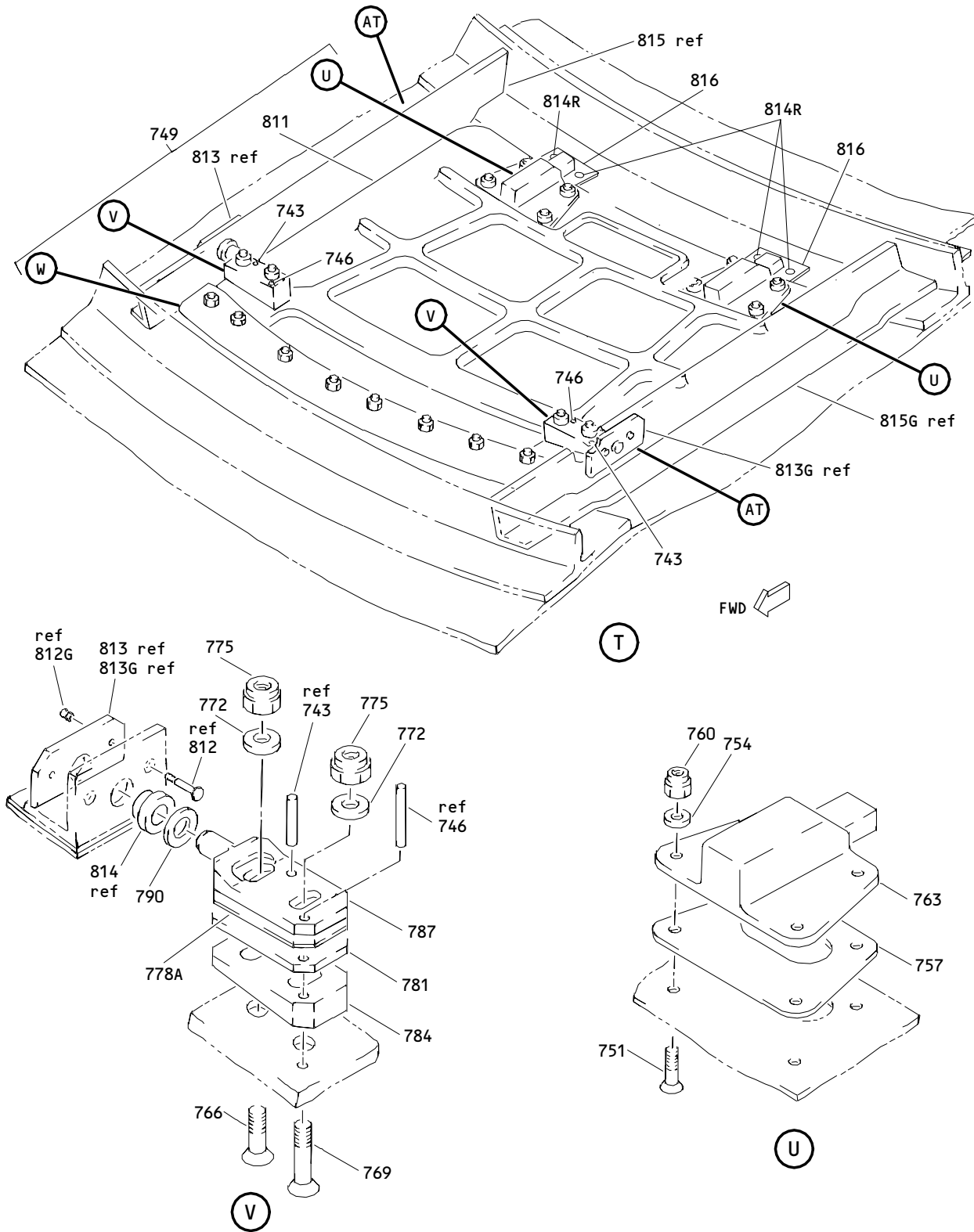
BC

Core Cowl Assembly
 Figure 1 (Sheet 8)

71-11-45

ILLUSTRATED PARTS LIST
 01.1 Page 1043
 Jun 01/95

T99989



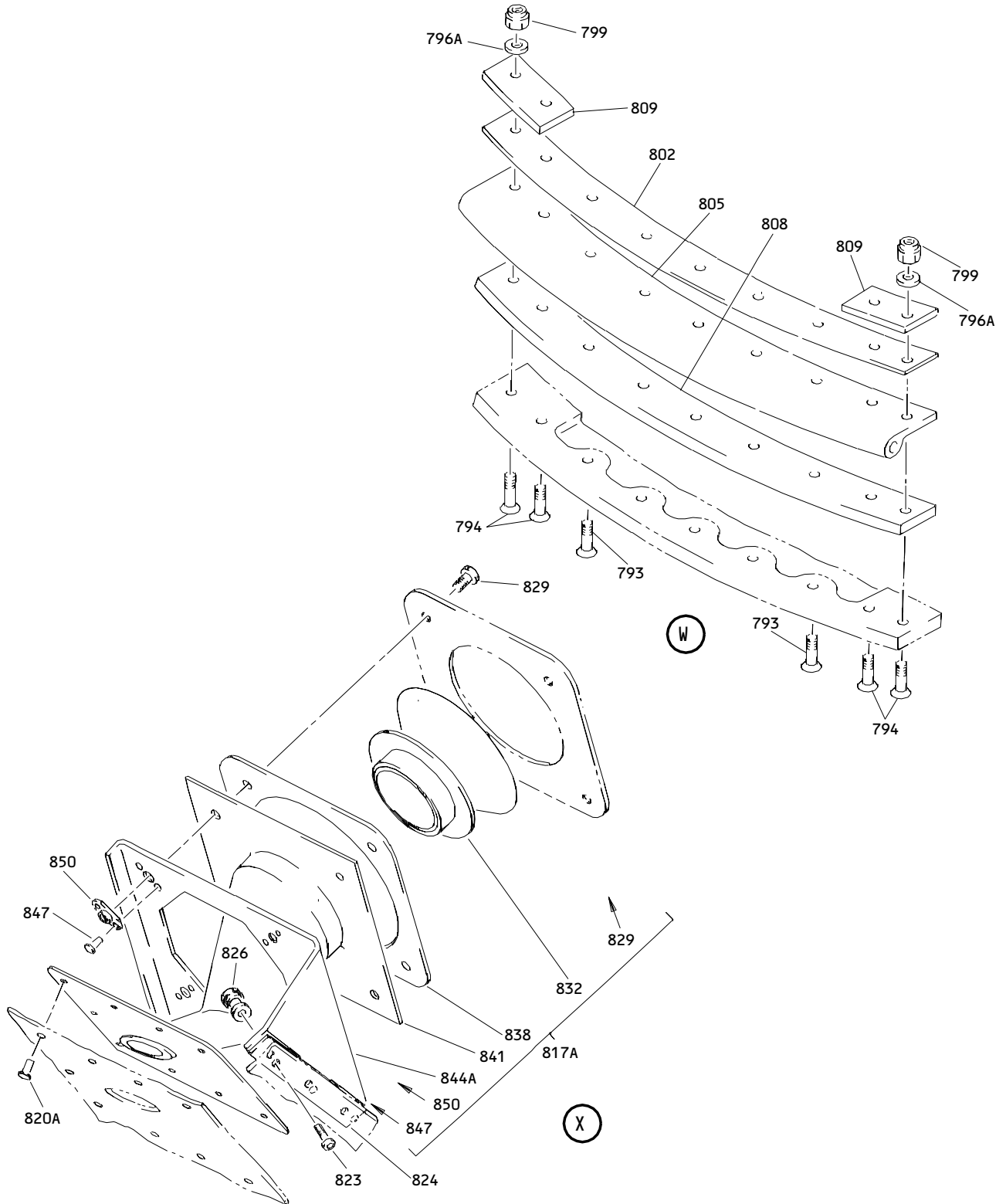
Core Cowl Assembly
 Figure 1 (Sheet 9)

71-11-45

ILLUSTRATED PARTS LIST
 01.1 Page 1044
 Jun 01/95

015T0109 015T0132
015T0412 015T0437
015T0540 315T1001
314T1210

BOEING
COMPONENT
MAINTENANCE MANUAL

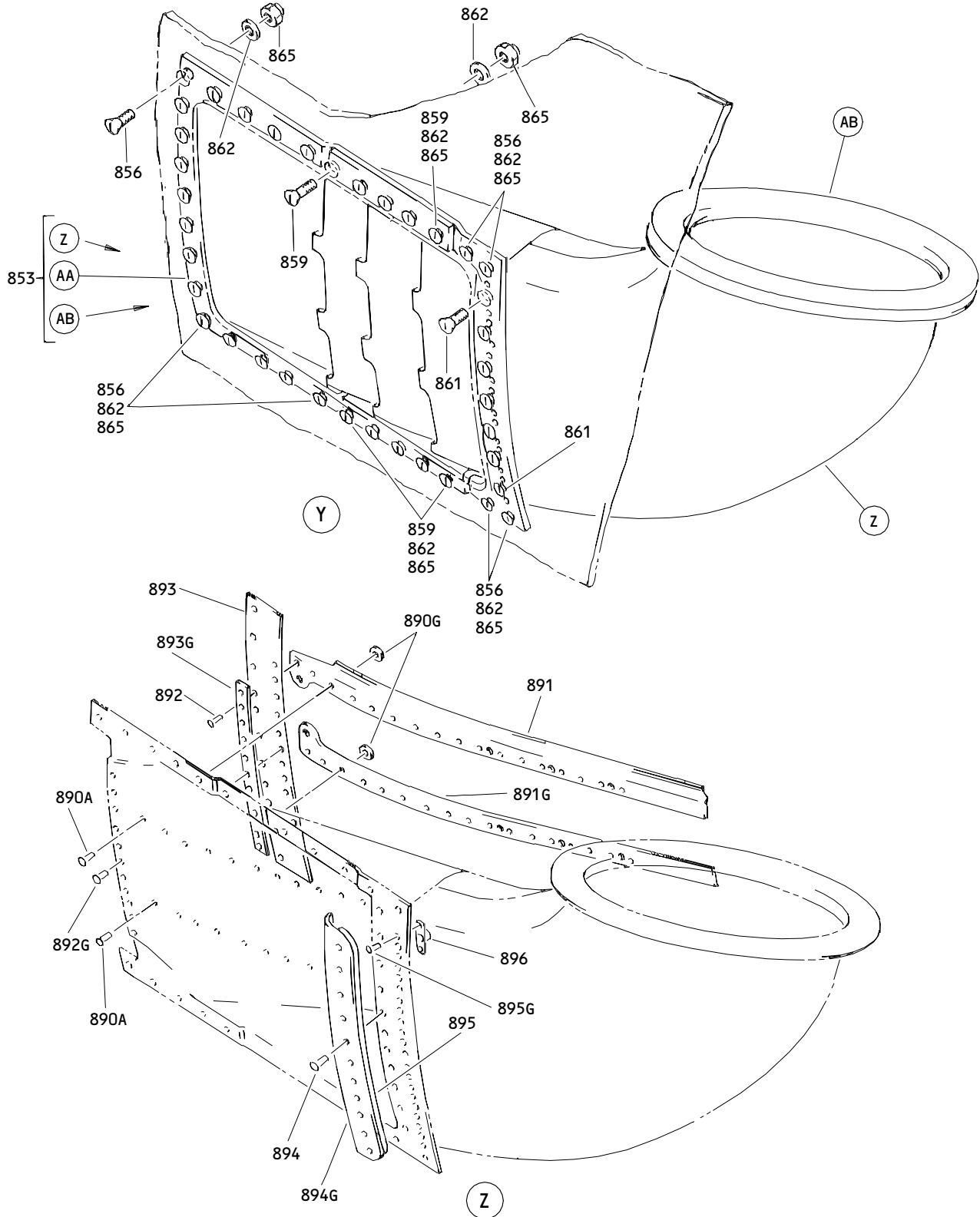


Core Cowl Assembly
Figure 1 (Sheet 10)

71-11-45

ILLUSTRATED PARTS LIST
01.1 Page 1045
Jun 01/95

T99992



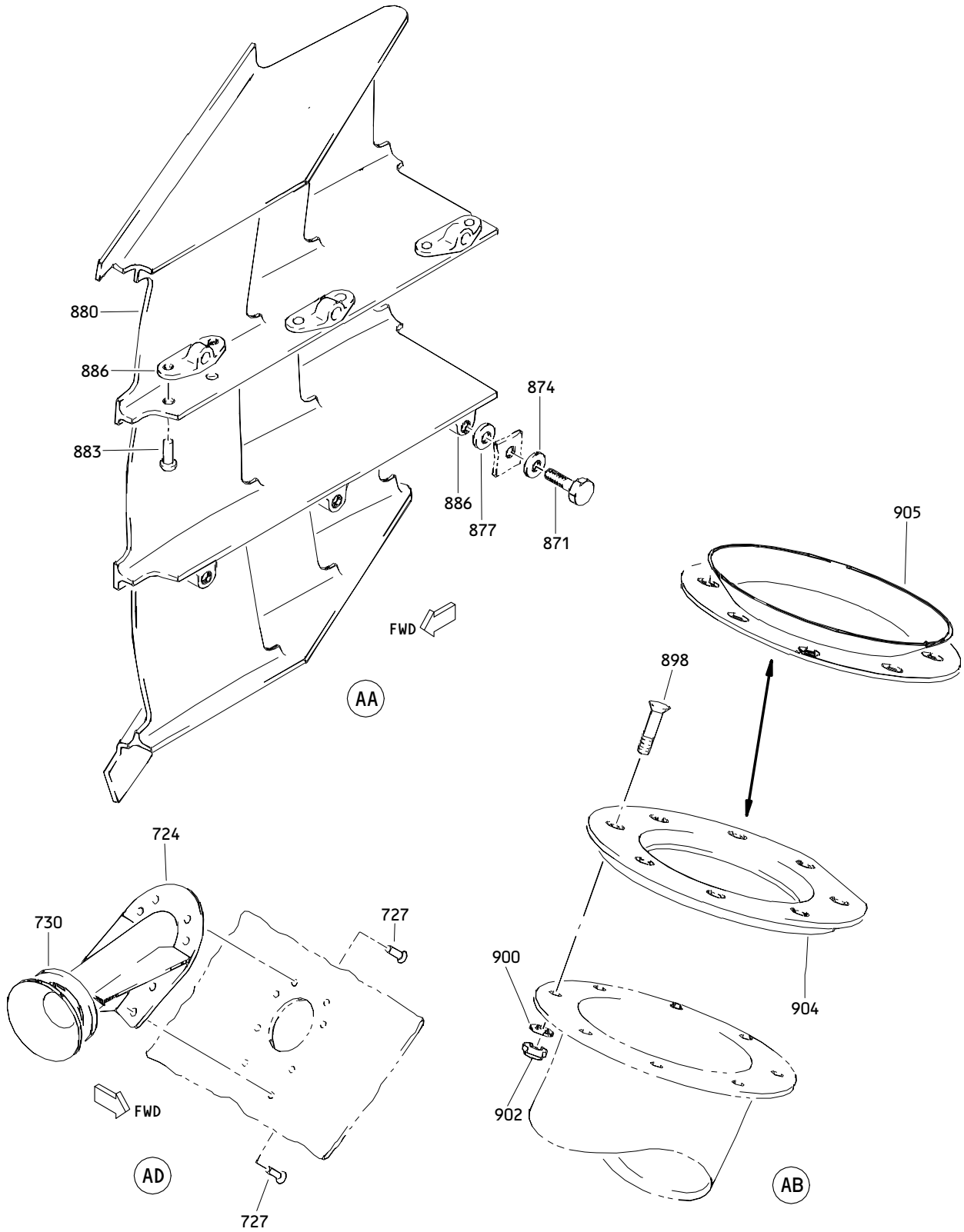
Core Cowl Assembly
 Figure 1 (Sheet 11)

71-11-45

ILLUSTRATED PARTS LIST
 01.1 Page 1046
 Jun 01/95

015T0109 015T0132
015T0412 015T0437
015T0540 315T1001
314T1210

BOEING
COMPONENT
MAINTENANCE MANUAL

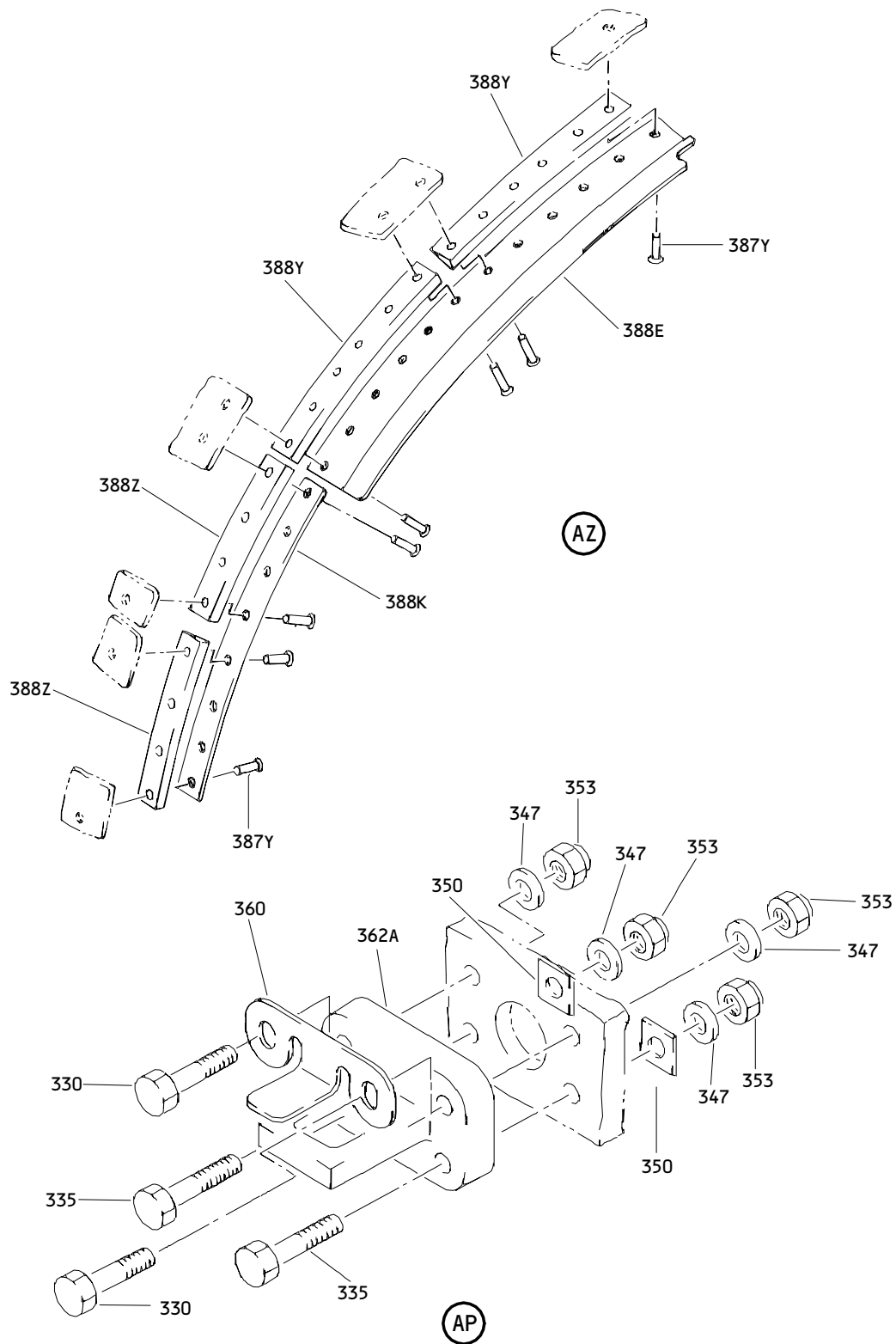


Core Cowl Assembly
Figure 1 (Sheet 12)

71-11-45

ILLUSTRATED PARTS LIST
01.1 Page 1047
Jun 01/95

T999994



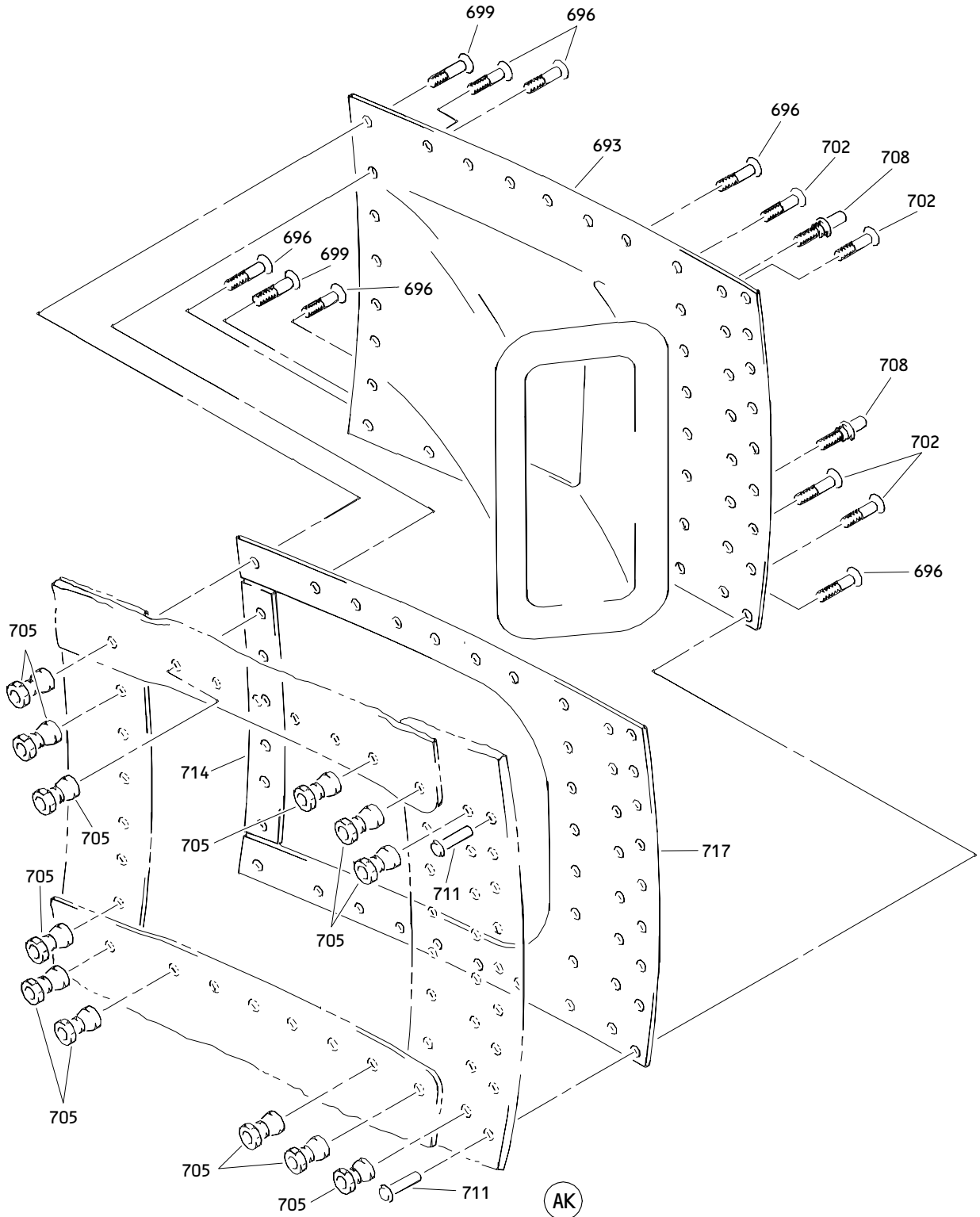
Core Cowl Assembly
 Figure 1 (Sheet 13)

71-11-45

ILLUSTRATED PARTS LIST
 01.1 Page 1048
 Jun 01/95

015T0109 015T0132
015T0412 015T0437
015T0540 315T1001
314T1210

BOEING
COMPONENT
MAINTENANCE MANUAL

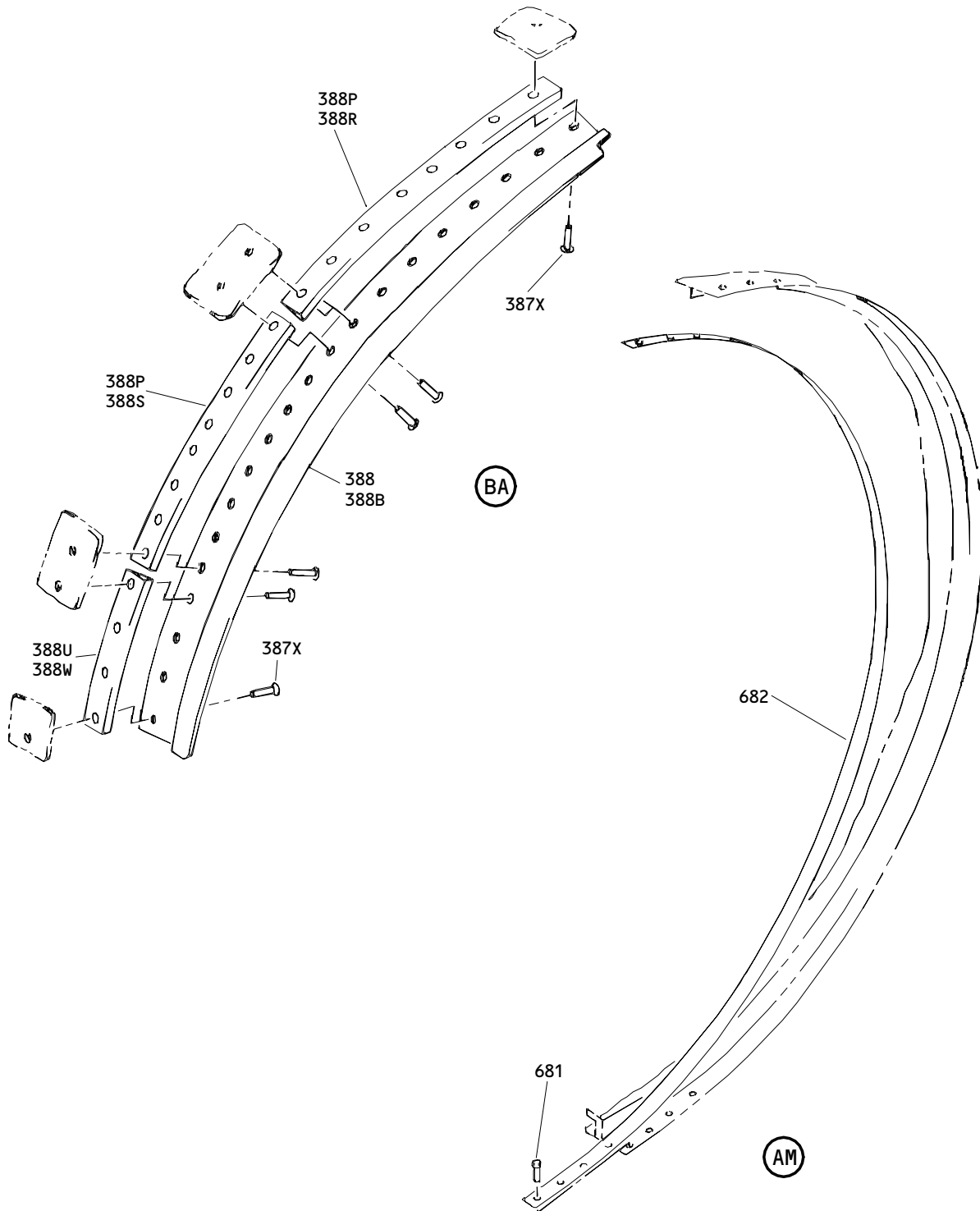


Core Cowl Assembly
Figure 1 (Sheet 14)

71-11-45

ILLUSTRATED PARTS LIST
01.1 Page 1049
Jun 01/95

T999998



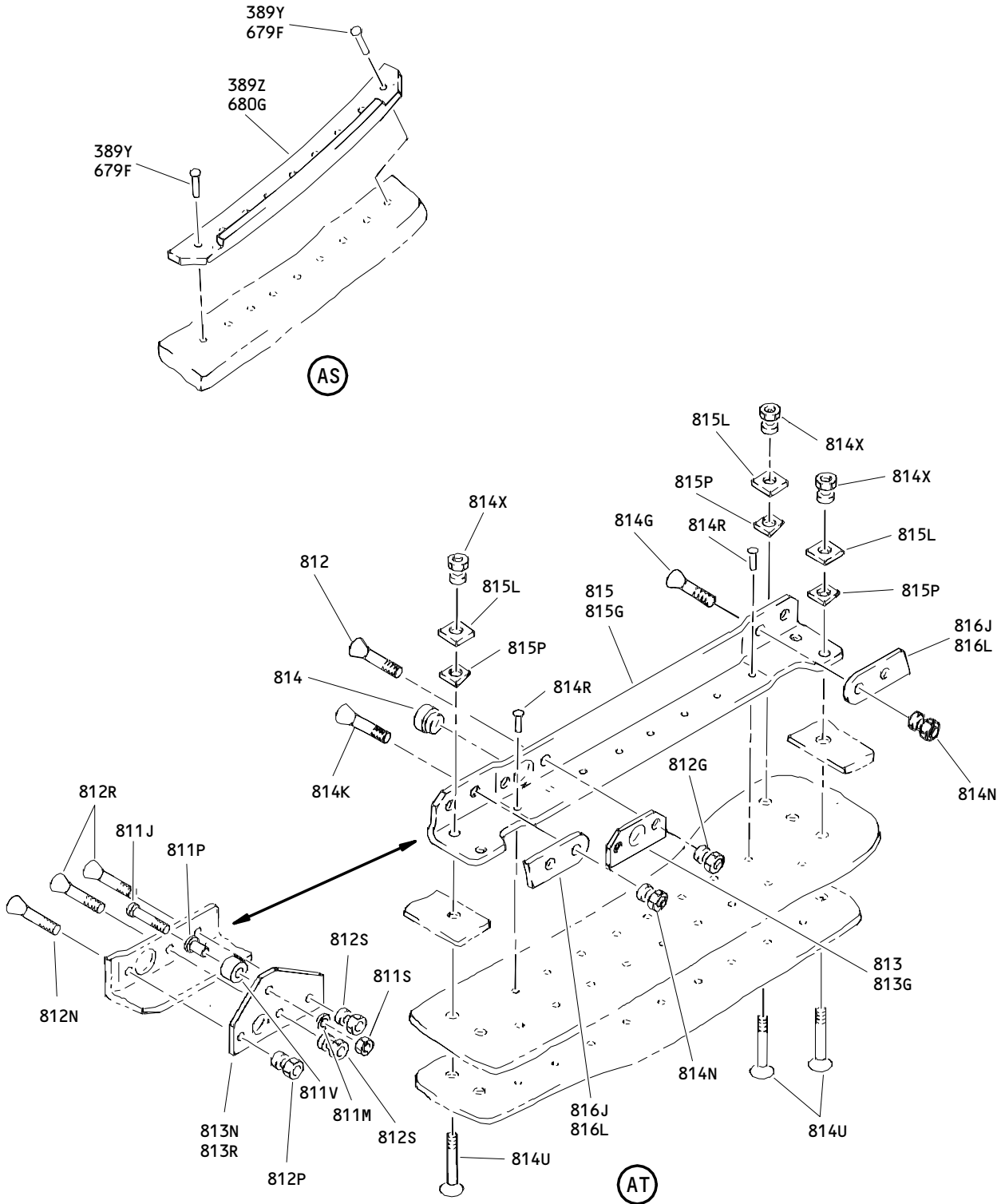
Core Cowl Assembly
 Figure 1 (Sheet 15)

71-11-45

ILLUSTRATED PARTS LIST
 01.1 Page 1050
 Jun 01/95

015T0109 015T0132
015T0412 015T0437
015T0540 315T1001
314T1210

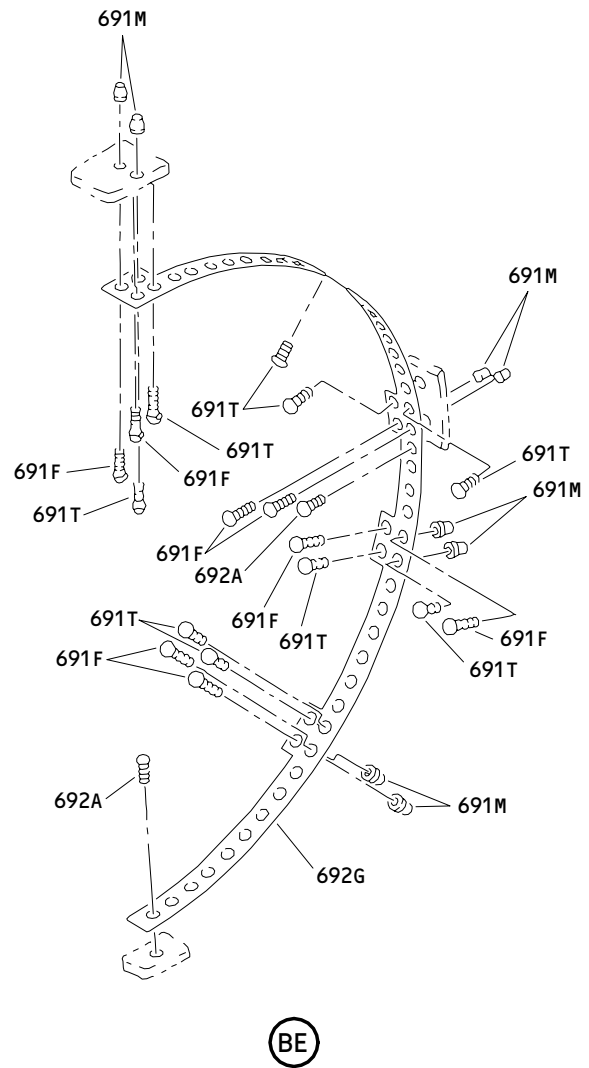
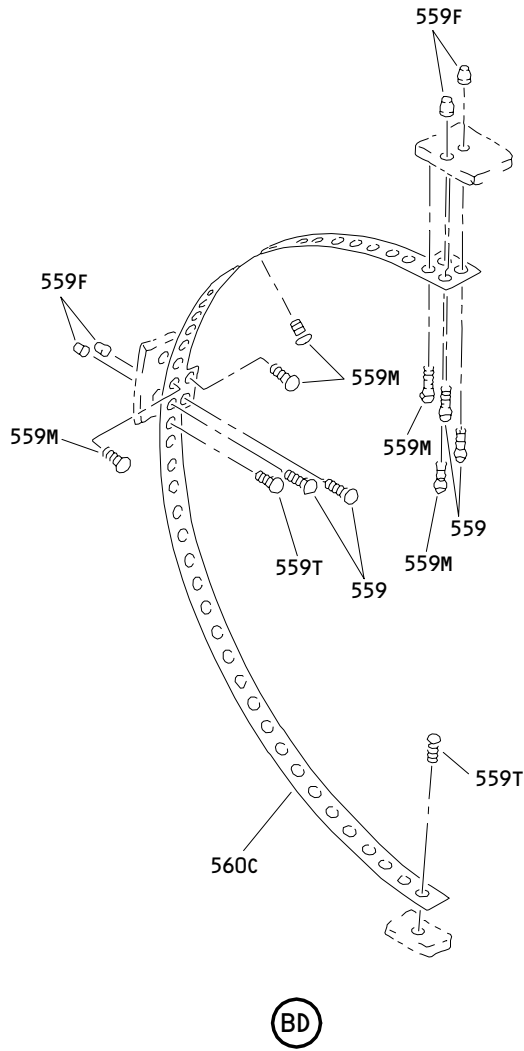
BOEING
COMPONENT
MAINTENANCE MANUAL



Core Cowl Assembly
Figure 1 (Sheet 16)

71-11-45

ILLUSTRATED PARTS LIST
01.1 Page 1051
Jun 01/95



Core Cowl Assembly
 Figure 1 (Sheet 17)

71-11-45

ILLUSTRATED PARTS LIST
 01.1 Page 1052
 Jun 01/95

015T0109 015T0132
 015T0412 015T0437
 015T0540 315T1001
 314T1210

 **BOEING**
 COMPONENT
 MAINTENANCE MANUAL

FIG. & ITEM	PART NO.	AIRLINE PART NUMBER	NOMENCLATURE 1234567	EFF CODE	QTY PER ASSY
01- -1	314T1210-1		COWL ASSY-CORE (LH) (PRE SB 767-71-0047) (PRE SB 767-71-0017) (PRE SB 767-71-0042) (PRE SB 767-54-0038) (PRE SB 767-71-0014) (PRE SB 767-71-0021) (PRE SB 767-71-0028) (PRE SB 767-71-0067) (REWORKED BY (SB 767-71-0020)	A	RF
-1A	314T1210-247		COWL ASSY-CORE (LH) (PRE SB 767-71-0047) (POST SB 767-71-0017) (PRE SB 767-71-0042) (PRE SB 767-54-0038) (PRE SB 767-71-0014) (PRE SB 767-71-0028) (REWORKED BY SB 767-71-0020)	C	RF
-1B	314T1210-365		COWL ASSY-CORE (LH) (PRE SB 767-71-0047) (PRE SB 767-71-0042) (PRE SB 767-54-0038) (POST SB 767-71-0014) (POST SB 767-71-0021) (POST SB 767-71-0028)	E	RF
-1C	314T1210-409		COWL ASSY-CORE (LH) (LIMITED) (PRE SB 767-54-0038) (PRE SB 767-71-0047) (PRE SB 767-71-0028) (FOR DETAILS SEE FIG. 2)	G	RF
-1D	314T1210-415		COWL ASSY-CORE (REWORK)(LH) (PRE SB 767-71-0047) (POST SB 767-71-0042) (PRE SB 767-54-0038) (PRE SB 767-71-0028) (FOR DETAILS SEE FIG. 2)	J	RF
-1E	314T1210-431		COWL ASSY-CORE (LH) (POST SB 767-54-0038) (FOR DETAILS SEE FIG. 2) (PRE SB 767-71-0028)	L	RF

71-11-45

ILLUSTRATED PARTS LIST
 01.1 Page 1053
 Jun 01/95

FIG. & ITEM	PART NO.	AIRLINE PART NUMBER	NOMENCLATURE 1234567	EFF CODE	QTY PER ASSY
01- -1F	015T0437-47		COWL ASSY-CORE (LH) (POST SB 767-71-0047) (PRE SB 767-71-0067)	N	RF
-1G	015T0437-49		COWL ASSY-CORE (LH) (POST SB 767-71-0047) (PRE SB 767-71-0067)	P	RF
-1H	015T0437-50		COWL ASSY-CORE (LH) (POST SB 767-71-0047) (PRE SB 767-71-0067)	Q	RF
-1J	314T1210-409		DELETED		
-1K	015T0437-51		COWL ASSY-CORE (LH) (LIMITED) (POST SB 767-71-0047) (PRE SB 767-71-0067) (FOR DETAILS SEE FIG. 2)	S	RF
-1L	015T0437-52		COWL ASSY-CORE (LH) (POST SB 767-71-0047) (FOR DETAILS SEE FIG. 2) (PRE SB 767-71-0067)	T	RF
-1M	015T0109-43		COWL ASSY-CORE (LH) (POST SB 767-71-0017) (PRE SB 767-71-0047)	U	RF
-1N	015T0412-5		COWL ASSY-CORE (LH) (POST SB 767-71-0042)	V	RF
-1P	015T0412-7		COWL ASSY-CORE (LH) (POST SB 767-71-0042)	W	RF
-1Q	314T1001-3		COWL ASSY-CORE (LH) (POST SB 767-54-0038)	X	RF
-1R	314T1001-5		COWL ASSY-CORE (LH) (POST SB 767-54-0038)	Y	RF
-1S	314T1001-7		COWL ASSY-CORE (LH) (POST SB 767-54-0038)	Z	RF
-1T	314T1001-9		COWL ASSY-CORE (LH) (POST SB 767-54-0038)	AA	RF
-1U	015T0437-48		COWL ASSY-CORE (LH) (POST SB 767-71-0047) (PRE SB 767-71-0067)	AH	RF
R -1V	015T0540-28		COWL ASSY-CORE (LH) (POST SB 767-71-0067)	AJ	RF
R -1W	015T0540-29		COWL ASSY-CORE (LH) (POST SB 767-71-0067)	AK	RF
R -1X	015T0540-30		COWL ASSY-CORE (LH) (POST SB 767-71-0067)	AL	RF
R -1Y	015T0540-31		COWL ASSY-CORE (LH) (POST SB 767-71-0067)	AM	RF

71-11-45

 ILLUSTRATED PARTS LIST
 01.1 Page 1054
 Jun 01/95

015T0109 015T0132
 015T0412 015T0437
 015T0540 315T1001
 314T1210

 **BOEING**
 COMPONENT
 MAINTENANCE MANUAL

FIG. & ITEM	PART NO.	AIRLINE PART NUMBER	NOMENCLATURE 1234567	EFF CODE	QTY PER ASSY
R 01- -1Z	015T0540-32		COWL ASSY-CORE (LH) (POST SB 767-71-0067)	AN	RF
R -2	015T0540-33		COWL ASSY-CORE (LH) (POST SB 767-71-0067)	AP	RF
-5	314T1210-2		COWL ASSY-CORE (RH) (PRE SB 767-71-0042) (PRE SB 767-54-0038) (PRE SB 767-71-0014) (PRE SB 767-71-0016) (PRE SB 767-71-0021) (PRE SB 767-71-0028) (REWORKED BY SB 767-71-0020)	B	RF
-5A	314T1210-248		COWL ASSY-CORE (RH) (PRE SB 767-71-0042) (PRE SB 767-54-0038) (PRE SB 767-71-0014) (PRE SB 767-71-0016) (PRE SB 767-71-0028) (REWORKED BY SB 767-71-0020)	D	RF
-5B	314T1210-366		COWL ASSY-CORE (RH) (PRE SB 767-71-0042) (PRE SB 767-54-0038) (POST SB 767-71-0014) (POST SB 767-71-0016) (POST SB 767-71-0021) (POST SB 767-71-0028)	F	RF
-5C	314T1210-408		COWL ASSY-CORE (RH) (PRE SB 767-54-0038) (PRE SB 767-71-0028) (FOR DETAILS SEE FIG. 2)	H	RF
-5D	314T1210-416		COWL ASSY-CORE (REWORK)(RH) (POST SB 767-71-0042) (PRE SB 767-54-0038) (PRE SB 767-71-0028) (FOR DETAILS SEE FIG. 2)	K	RF
-5E	314T1210-432		COWL ASSY-CORE (RH) (POST SB 767-54-0038) (FOR DETAILS SEE FIG. 2) (PRE SB 767-71-0028)	M	RF
-5F	015T0412-4		COWL ASSY-CORE (RH) (POST SB 767-71-0042)	AB	RF
-5G	015T0412-6		COWL ASSY-CORE (RH) (POST SB 767-71-0042)	AC	RF

71-11-45

ILLUSTRATED PARTS LIST
 01.1 Page 1055
 Jun 01/95

FIG. & ITEM	PART NO.	AIRLINE PART NUMBER	NOMENCLATURE 1234567	EFF CODE	QTY PER ASSY
01-5H	314T1001-4		COWL ASSY-CORE (RH) (POST SB 767-54-0038)	AD	RF
-5J	314T1001-6		COWL ASSY-CORE (RH) (POST SB 767-54-0038)	AE	RF
-5K	314T1001-8		COWL ASSY-CORE (RH) (POST SB 767-54-0038)	AF	RF
-5L	314T1001-10		COWL ASSY-CORE (RH) (POST SB 767-54-0038)	AG	RF
R -5M	015T0132-3		COWL ASSY-CORE (RH) (POST SB 767-54-0016)	AQ	RF
R -5N	015T0132-4		COWL ASSY-CORE (RH) (POST SB 767-54-0016)	AR	RF
-10	314T1210-5005		DELETED		
-10A	314T1210-5003		DELETED		
-10B	314T1210-5001		DELETED		
-10C	314T1210-5007		DELETED		
-10D	314T1210-5009		DELETED		
-10E	314T1210-5012		DELETED		
-10F	314T1210-5011		DELETED		
-10G	314T1210-5013		.COWL ASSY-(REWORK) (LIMITED)	A,N	1
-10H	314T1210-5015		.COWL ASSY-(REWORK) (LIMITED)	A,N	1
-10J	314T1210-5017		.COWL ASSY-(REWORK) (LIMITED)	A,N	1
-10K	314T1210-5019		.COWL ASSY-(REWORK) (LIMITED)	A,N	1
-10L	314T1210-5021		.COWL ASSY-(REWORK) (LIMITED)	A,N	1
-10M	314T1210-5059		.COWL ASSY- (LIMITED)	A,N	1
-10N	314T1210-5065		.COWL ASSY-(REWORK) (LIMITED)	A,N	1
-13	314T1210-5039		.COWL ASSY- (LIMITED)	C,P	1
-13A	314T1210-5061		DELETED		
-13B	314T1210-5066		.COWL ASSY- (LIMITED)	C,P	1
-13C	314T1210-5067		.COWL ASSY-(REWORK) (LIMITED)	C,P	1
-13D	314T1210-5068		.COWL ASSY- (LIMITED)	C,P	1
-14	314T1210-5069		.COWL ASSY- (LIMITED)	E,Q	1
-14A	314T1210-5071		DELETED		

71-11-45

 ILLUSTRATED PARTS LIST
 01.1 Page 1056
 Jun 01/95

015T0109 015T0132
 015T0412 015T0437
 015T0540 315T1001
 314T1210

 **BOEING**
 COMPONENT
 MAINTENANCE MANUAL

FIG. & ITEM	PART NO.	AIRLINE PART NUMBER	NOMENCLATURE 1234567	EFF CODE	QTY PER ASSY
01-					
-14B	314T1210-5073		DELETED		
-14C	314T1210-5081		.COWL ASSY- (LIMITED)	E,Q	1
-14D	314T1210-5083		.COWL ASSY-(REWORK) (LIMITED)	E,Q	1
-14E	314T1210-5085		.COWL ASSY-(REWORK) (LIMITED)	E,Q	1
-14F	314T1210-5089		.COWL ASSY- (LIMITED)	E,Q	1
-14G	314T1210-5093		.COWL ASSY- (LIMITED)	E,Q	1
-14H	314T1210-5095		.COWL ASSY- (LIMITED)	E,Q	1
-15	314T1210-5006		DELETED		
-15A	314T1210-5004		DELETED		
-15B	314T1210-5002		DELETED		
-15C	314T1210-5008		DELETED		
-15D	314T1210-5010		DELETED		
-15E	314T1210-5012		DELETED		
-15G	314T1210-5014		DELETED		
-15H	314T1210-5016		DELETED		
-15J	314T1210-5018		DELETED		
-15K	314T1210-5020		DELETED		
-15L	314T1210-5022		DELETED		
-15M	314T1210-5024		.COWL ASSY-(REWORK) (LIMITED)	B	1
-15N	314T1210-5026		.COWL ASSY-(REWORK) (LIMITED)	B	1
-15P	314T1210-5028		.COWL ASSY-(REWORK) (LIMITED)	B	1
-15Q	314T1210-5030		.COWL ASSY-(REWORK) (LIMITED)	B	1
-15R	314T1210-5032		.COWL ASSY- (LIMITED)	B	1
-15S	314T1210-5060		.COWL ASSY- (LIMITED)	B	1
-17	314T1210-5040		.COWL ASSY- (LIMITED)	D	1
-17A	314T1210-5062		.COWL ASSY- (LIMITED)	D	1
-17B	314T1210-5064		.COWL ASSY- (LIMITED)	D	1
-17M	314T1210-5070		.COWL ASSY- (LIMITED)	F	1
-17N	314T1210-5072		DELETED		

71-11-45

ILLUSTRATED PARTS LIST
 01.1 Page 1057
 Jun 01/95

FIG. & ITEM	PART NO.	AIRLINE PART NUMBER	NOMENCLATURE 1234567	EFF CODE	QTY PER ASSY
01- -17P	314T1210-5082		.COWL ASSY- (LIMITED)	F	1
-17Q	314T1210-5084		.COWL ASSY-(REWORK) (LIMITED)	F	1
-17R	314T1210-5086		.COWL ASSY-(REWORK) (LIMITED)	F	1
-17S	314T1210-5090		.COWL ASSY- (LIMITED)	F	1
-17T	314T1210-5092		.COWL ASSY- (LIMITED)	F	1
18	HL11VAZ6-13		..BOLT- (V56878) (SPEC BACB30NW6K13) (OPT B30NW6K13 (V97928)) (OPT HL11VAZ6-13 (V73197)) (OPT HL11VAZ6-13 (V92215)) (OPT HL11VAZ6-13 (V97928)) (OPT L803-6K13 (V06725)) (OPT HL11VAZ6-13 (V0PTK6)) (OPT HL11VAZ6-13 (V60516))	A-F, N-Q	2
21	HL11VAZ6-15		..BOLT- (V56878) (SPEC BACB30NW6K15) (OPT B30NW6K15 (V97928)) (OPT HL11VAZ6-15 (V73197)) (OPT HL11VAZ6-15 (V92215)) (OPT HL11VAZ6-15 (V97928)) (OPT L803-6K15 (V06725)) (OPT HL11VAZ6-15 (V0PTK6)) (OPT HL11VAZ6-15 (V60516))	A-F, N-Q	1

71-11-45

015T0109 015T0132
 015T0412 015T0437
 015T0540 315T1001
 314T1210

 **BOEING**
 COMPONENT
 MAINTENANCE MANUAL

FIG. & ITEM	PART NO.	AIRLINE PART NUMBER	NOMENCLATURE 1234567	EFF CODE	QTY PER ASSY
01-24	HL11VAZ6-12		..BOLT- (V56878) (SPEC BACB30NW6K12) (OPT B30NW6K12 (V97928)) (OPT HL11VAZ6-12 (V73197)) (OPT HL11VAZ6-12 (V92215)) (OPT HL11VAZ6-12 (V97928)) (OPT L803-6K12 (V06725)) (OPT HL11VAZ6-12 (V0PTK6)) (OPT HL11VAZ6-12 (V60516))	A-F, N-Q	2
27	HL11VAZ6-14		..BOLT- (V56878) (SPEC BACB30NW6K14) (OPT B30NW6K14 (V97928)) (OPT HL11VAZ6-14 (V73197)) (OPT HL11VAZ6-14 (V92215)) (OPT HL11VAZ6-14 (V97928)) (OPT L803-6K14 (V06725)) (OPT HL11VAZ6-14 (V0PTK6)) (OPT HL11VAZ6-14 (V60516))	A-F, N-Q	1

71-11-45

ILLUSTRATED PARTS LIST
 01.1 Page 1059
 Jun 01/95

FIG. & ITEM	PART NO.	AIRLINE PART NUMBER	NOMENCLATURE 1234567	EFF CODE	QTY PER ASSY
01-30	HL11VAZ6-11		..BOLT- (V56878) (SPEC BACB30NW6K11) (OPT B30NW6K11 (V97928)) (OPT HL11VAZ6-11 (V73197)) (OPT HL11VAZ6-11 (V92215)) (OPT HL11VAZ6-11 (V97928)) (OPT L803-6K11 (V06725)) (OPT HL11VAZ6-11 (V0PTK6)) (OPT HL11VAZ6-11 (V60516))	A-F, N-Q	2
33	HL11VAZ6-10		..BOLT- (V56878) (SPEC BACB30NW6K10) (OPT B30NW6K10 (V97928)) (OPT HL11VAZ6-10 (V73197)) (OPT HL11VAZ6-10 (V92215)) (OPT HL11VAZ6-10 (V97928)) (OPT L803-6K10 (V06725)) (OPT HL11VAZ6-10 (V0PTK6)) (OPT HL11VAZ6-10 (V60516))	A-F, N-Q	1

71-11-45

ILLUSTRATED PARTS LIST
 01.1 Page 1060
 Jun 01/95

015T0109 015T0132
 015T0412 015T0437
 015T0540 315T1001
 314T1210

 **BOEING**
 COMPONENT
 MAINTENANCE MANUAL

FIG. & ITEM	PART NO.	AIRLINE PART NUMBER	NOMENCLATURE 1234567	EFF CODE	QTY PER ASSY
01-36	HL11VAZ6-9		..BOLT- (V56878) (SPEC BACB30NW6K9) (OPT B30NW6K9 (V97928)) (OPT HL11VAZ6-9 (V73197)) (OPT HL11VAZ6-9 (V92215)) (OPT HL11VAZ6-9 (V97928)) (OPT L803-6K9 (V06725))	A-F, N-Q	1
39	BACS40R29B54F		..SHIM	A-F, N-Q	1
42	HL82-6APBW		..COLLAR- (V73197) (SPEC BACC30AG6) (OPT HL82-6APBW (V92215)) (OPT HL82-6APBW (V56878))	A-F, N-Q	10
45	HL12VAZ10-9		..BOLT- (V56878) (SPEC BACB30NX10K9) (OPT HL12VAZ10-9 (V73197)) (OPT HL12VAZ10-9 (V92215)) (OPT HL12VAZ10-9 (V97928)) (OPT L802-10K9 (V06725)) (OPT HL12VAZ10-9 (V0PTK6)) (OPT HL12VAZ10-9 (V60516))	A-F, N-Q	2

71-11-45

ILLUSTRATED PARTS LIST
 01.1 Page 1061
 Jun 01/95

FIG. & ITEM	PART NO.	AIRLINE PART NUMBER	NOMENCLATURE 1234567	EFF CODE	QTY PER ASSY
01-48	BACS40R12B29F		..SHIM	A-F, N-Q	1
51	HL1187DUW10		..COLLAR- (V73197) (SPEC BACC30X10SW) (OPT HL87DUW10 (V73197)) (OPT HL87DUW10 (V92215)) (OPT HL1187DUW10 (V56878)) (OPT HL1187DUW10 (V92215)) (OPT HL87DUW10 (V56878))	A-F, N-Q	2
54	314T1213-1		DELETED		
-57	314T1213-2		DELETED		
60	P20660		DELETED		
63	314T1213-3		DELETED		
-66	314T1213-4		DELETED		
-69	HL11VAZ6-13		DELETED		
-72	HL11VAZ6-15		DELETED		
-75	HL11VAZ6-12		DELETED		
76	BACB30NN3K3		..BOLT	A-F, N-Q	4
-78	HL11VAZ6-14		DELETED		
79	BACR15CE3KE		..RIVET- (SIZE DETERMINE ON INST)	A-F, N-Q	8
80	109F9224-3		..NUTPLATE- (V72962) (SPEC BACN10JT3CM) (OPT F1967-01-3 (V15653))	A-F, N-Q	4

71-11-45

 ILLUSTRATED PARTS LIST
 01.1 Page 1062
 Jun 01/95

015T0109 015T0132
 015T0412 015T0437
 015T0540 315T1001
 314T1210

 **BOEING**
 COMPONENT
 MAINTENANCE MANUAL

FIG. & ITEM	PART NO.	AIRLINE PART NUMBER	NOMENCLATURE 1234567	EFF CODE	QTY PER ASSY
01-					
-81	HL11VAZ6-11		DELETED		
-84	HL11VAZ6-10		DELETED		
-87	HL11VAZ6-9		DELETED		
-90	BACS40R29B54F		DELETED		
-93	HL82-6APBW		DELETED		
-96	HL12VAZ10-9		DELETED		
-99	BACS40R12B29F		DELETED		
-102	HL87DUW10		DELETED		
-105	314T1213-5		..HINGE ASSY- (OPT ITEM 105A) (USED ON ITEMS 10G, 10H, 10J)	A,N	1
105A	314T1213-1		..HINGE ASSY- (OPT ITEM 105) (USED ON ITEMS 10G, 10H, 10J)	A,N	1
-105B	314T1213-1		..HINGE ASSY- (USED ON ITEMS 10K, 10L, 10M, 10N)	A,C,E ,N-Q	1
-108	314T1213-6		..HINGE ASSY- (OPT ITEM 108A) (USED ON ITEMS 15M, 15N, 15P)	B	1
-108A	314T1213-2		..HINGE ASSY- (OPT ITEM 108) (USED ON ITEMS 15M, 15N, 15P)	B	1
-108B	314T1213-2		..HINGE ASSY- (USED ON ITEMS 15Q, 15R, 15S)	B,D,F	1
111	P20660		...BEARING- (V57606) (SPEC S302T001-300A) (OPT VTBO4520 (V06710)) (OPT AMB7-110 (V50294))	A-F, N-Q	1
-114	314T1213-7		...FITTING-HINGE (USED ON ITEM 105)	A,N	1
114A	314T1213-3		...FITTING-HINGE (USED ON ITEMS 105A, 105B)	A,C,E ,N-Q	1

71-11-45

ILLUSTRATED PARTS LIST
 01.1 Page 1063
 Jun 01/95

FIG. & ITEM	PART NO.	AIRLINE PART NUMBER	NOMENCLATURE 1234567	EFF CODE	QTY PER ASSY
01- -117	314T1213-8		...FITTING-HINGE (USED ON ITEM 108)	B	1
-117A	314T1213-4		...FITTING-HINGE (USED ON ITEMS 108A, 108B)	B,D,F	1
120	314T1214-1		..HINGE ASSY- (USED ON ITEMS 10K, 10L, 10M, 10N)	A,C,E ,N-Q	1
-120A	314T1214-5		..HINGE ASSY- (USED ON ITEMS 10G, 10J)	A	1
-120B	314T1214-5		..HINGE ASSY- (OPT ITEM 120C) (USED ON ITEM 10H)	A,N	1
-120C	314T1214-1		..HINGE ASSY- (OPT ITEM 120B) (USED ON ITEM 10H)	A,N	1
-123	314T1214-2		..HINGE ASSY- (USED ON ITEMS 15Q, 15R, 15S)	B,D,F	1
-123A	314T1214-6		..HINGE ASSY- (USED ON ITEMS 15M, 15P)	B	1
-123B	314T1214-6		..HINGE ASSY- (OPT ITEM 123C) (USED ON ITEM 15N)	B	1
-123C	314T1214-2		..HINGE ASSY- (OPT ITEM 123B) (USED ON ITEM 15N)	B	1
126	HL12VAZ10-6		ATTACHING PARTS ..BOLT- (V56878) (SPEC BACB30NX10K6) (OPT HL12VAZ10-6 (V73197)) (OPT HL12VAZ10-6 (V92215)) (OPT HL12VAZ10-6 (V97928)) (OPT L802-10K6 (V06725)) (OPT HL12VAZ10-6 (V0PTK6)) (OPT HL12VAZ10-6 (V60516))	A-F, N-Q	3

71-11-45

 ILLUSTRATED PARTS LIST
 01.1 Page 1064
 Jun 01/95

015T0109 015T0132
 015T0412 015T0437
 015T0540 315T1001
 314T1210

 **BOEING**
 COMPONENT
 MAINTENANCE MANUAL

FIG. & ITEM	PART NO.	AIRLINE PART NUMBER	NOMENCLATURE 1234567	EFF CODE	QTY PER ASSY
01- 129 129A	HL12VAZ10-5 HL12VAZ10-6		DELETED ..BOLT- (V56878) (SPEC BACB30NX10K6) (OPT HL12VAZ10-6 (V73197)) (OPT HL12VAZ10-6 (V92215)) (OPT HL12VAZ10-6 (V97928)) (OPT L802-10K6 (V06725)) (OPT HL12VAZ10-6 (VOPTK6)) (OPT HL12VAZ10-6 (V60516))	A-F, N-Q	1
-129B	BACB30NX10K6X		..BOLT- (USED WITH ITEMS 570, 570A, 570B)	A,N	1
132 132A	HL12VAZ10-7 HL12VAZ10-9		DELETED ..BOLT- (V56878) (SPEC BACB30NX10K9) (OPT HL12VAZ10-9 (V73197)) (OPT HL12VAZ10-9 (V92215)) (OPT HL12VAZ10-9 (V97928)) (OPT L802-10K9 (V06725)) (OPT HL12VAZ10-9 (VOPTK6)) (OPT HL12VAZ10-9 (V60516))	A-F, N-Q	1
-132B	BACB30NX10K9X		..BOLT- (USED WITH ITEMS 570, 570A, 570B)	A,N	1

71-11-45

ILLUSTRATED PARTS LIST
 01.1 Page 1065
 Jun 01/95

FIG. & ITEM	PART NO.	AIRLINE PART NUMBER	NOMENCLATURE 1234567	EFF CODE	QTY PER ASSY
01-135	314T1210-108		..BLOCK	A-F, N-Q	1
138	BACS40R14B35F		..SHIM	A-F, N-Q	1
141	HL1187DUW10		..COLLAR- (V73197) (SPEC BACC30X10SW) (OPT HL87DUW10 (V73197)) (OPT HL87DUW10 (V92215)) (OPT HL1187DUW10 (V56878)) (OPT HL1187DUW10 (V92215)) (OPT HL87DUW10 (V56878)) -----*	A-F, N-Q	5
144	P20660		...BEARING- (V57606) (SPEC S302T001-300A) (OPT VTBO4520 (V06710)) (OPT AMB7-110 (V50294))	A-F, N-Q	1
147	314T1214-3		...FITTING-HINGE (USED ON ITEMS 120, 120C)	A,C,E ,N-Q	1
-147A	314T1214-7		...FITTING-HINGE (USED ON ITEMS 120A, 120B)	A,N	1

71-11-45

 ILLUSTRATED PARTS LIST
 01.1 Page 1066
 Jun 01/95

015T0109 015T0132
 015T0412 015T0437
 015T0540 315T1001
 314T1210

 **BOEING**
 COMPONENT
 MAINTENANCE MANUAL

FIG. & ITEM	PART NO.	AIRLINE PART NUMBER	NOMENCLATURE 1234567	EFF CODE	QTY PER ASSY
01- -150	314T1214-4		...FITTING-HINGE (USED ON ITEMS 123, 123C)	B,D,F	1
-150A	314T1214-8		...FITTING-HINGE (USED ON ITEMS 123A, 123B)	B	1
-153	314T1214-5		DELETED		
-153A	314T1214-1		DELETED		
-158	314T1214-6		DELETED		
-158A	314T1214-2		DELETED		
			ATTACHING PARTS		
-161	HL12VAZ10-6		DELETED		
-164	HL12VAZ10-5		DELETED		
-167	HL12VAZ10-7		DELETED		
-170	314T1210-108		DELETED		
-173	BACS40R14B35F		DELETED		
-176	HL1187DUW10		DELETED		
-179	P20660		DELETED		
-182	314T1214-7		DELETED		
-182A	314T1214-3		DELETED		
-185	314T1214-8		DELETED		
-185A	314T1214-4		DELETED		
188	314T1215-1		..HINGE ASSY- (USED ON ITEMS 10K, 10L, 10M, 10N)	A,C,E ,N-Q	1
-188A	314T1215-5		..HINGE ASSY- (USED ON ITEMS 10G, 10J)	A,N	1
-188B	314T1215-5		..HINGE ASSY- (OPT ITEM 188C) (USED ON ITEM 10H)	A,N	1
-188C	314T1215-1		..HINGE ASSY- (OPT ITEM 188B) (USED ON ITEM 10H)	A,N	1

71-11-45

ILLUSTRATED PARTS LIST
 01.1 Page 1067
 Jun 01/95

FIG. & ITEM	PART NO.	AIRLINE PART NUMBER	NOMENCLATURE 1234567	EFF CODE	QTY PER ASSY
01- -191	314T1215-2		..HINGE ASSY- (USED ON ITEMS 15Q, 15R, 15S)	B,D,F	1
-191A	314T1215-6		..HINGE ASSY- (USED ON ITEMS 15M, 15P)	B	1
-191B	314T1215-6		..HINGE ASSY- (OPT ITEM 191C) (USED ON ITEM 15N)	B	1
-191C	314T1215-2		..HINGE ASSY- (OPT ITEM 191B) (USED ON ITEM 15N)	B	1
194	HL12VAZ10-6		..BOLT- (V56878) (SPEC BACB30NX10K6) (OPT HL12VAZ10-6 (V73197)) (OPT HL12VAZ10-6 (V92215)) (OPT HL12VAZ10-6 (V97928)) (OPT L802-10K6 (V06725)) (OPT HL12VAZ10-6 (V0PTK6)) (OPT HL12VAZ10-6 (V60516))	A-F, N-Q	3
197	HL1187DUW10		..COLLAR- (V73197) (SPEC BACC30X10SW) (OPT HL87DUW10 (V73197)) (OPT HL87DUW10 (V92215)) (OPT HL1187DUW10 (V56878)) (OPT HL1187DUW10 (V92215)) (OPT HL87DUW10 (V56878))	A-F, N-Q	3

71-11-45

 ILLUSTRATED PARTS LIST
 01.1 Page 1068
 Jun 01/95

015T0109 015T0132
 015T0412 015T0437
 015T0540 315T1001
 314T1210

 **BOEING**
 COMPONENT
 MAINTENANCE MANUAL

FIG. & ITEM	PART NO.	AIRLINE PART NUMBER	NOMENCLATURE 1234567	EFF CODE	QTY PER ASSY
01-200	HL12VAZ8-5		..BOLT- (V56878) (SPEC BACB30NX8K5) (OPT HL12VAZ8-5 (V73197)) (OPT HL12VAZ8-5 (V92215)) (OPT HL12VAZ8-5 (V97928)) (OPT L802-8K5 (V06725)) (OPT HL12VAZ8-5 (V08524))	A-F, N-Q	1
203 203A	HL12VAZ8-7 HL12VAZ8-9		DELETED ..BOLT- (V56878) (SPEC BACB30NX8K9) (OPT HL12VAZ8-9 (V73197)) (OPT HL12VAZ8-9 (V92215)) (OPT HL12VAZ8-9 (V97928)) (OPT L802-8K9 (V06725)) (OPT HL12VAZ8-9 (V08524))	A-F, N-Q	1
-203B	HL12VAZ8-9X		..BOLT- (V56878) (SPEC BACB30NX8K9X) (OPT HL12VAZ8-9X (V73197)) (OPT HL12VAZ8-9X (V92215)) (OPT HL12VAZ8-9X (V97928)) (OPT L802-8K9X (V06725)) (OPT HL12-8K9X (V06725)) (USED WITH ITEMS 570, 570A, 570B)	A,N	1

71-11-45

ILLUSTRATED PARTS LIST
 01.1 Page 1069
 Jun 01/95

FIG. & ITEM	PART NO.	AIRLINE PART NUMBER	NOMENCLATURE 1234567	EFF CODE	QTY PER ASSY
01-206	314T1210-108		..BLOCK	A-F, N-Q	1
209	BACS40R14B35F		..SHIM	A-F, N-Q	1
212	HL1187DUW8		..COLLAR- (V73197) (SPEC BACC30X8SW) (OPT HL87DUW8 (V73197)) (OPT HL87DUW8 (V92215)) (OPT HL1187DUW8 (V56878)) (OPT HL1187DUW8 (V92215)) (OPT HL87DUW8 (V56878)) -----*	A-F, N-Q	2
215	P20660		...BEARING- (V57606) (SPEC S302T001-300A) (OPT VTBO4520 (V06710)) (OPT AMB7-110 (V50294))	A-F, N-Q	1
218	314T1215-3		...FITTING-HINGE (USED ON ITEMS 188, 188C)	A,C,E ,N-Q	1
-218A	314T1215-7		...FITTING-HINGE (USED ON ITEMS 188A, 188B)	A,N	1
-221	314T1215-4		...FITTING-HINGE (USED ON ITEMS 191, 191C)	B,D,F	1

71-11-45

 ILLUSTRATED PARTS LIST
 01.1 Page 1070
 Jun 01/95

015T0109 015T0132
 015T0412 015T0437
 015T0540 315T1001
 314T1210

 **BOEING**
 COMPONENT
 MAINTENANCE MANUAL

FIG. & ITEM	PART NO.	AIRLINE PART NUMBER	NOMENCLATURE 1234567	EFF CODE	QTY PER ASSY
01- -221A	314T1215-8		...FITTING-HINGE (USED ON ITEMS 191A, 191B)	B	1
-224	314T1215-5		DELETED		
-224A	314T1215-1		DELETED		
-227	314T1215-6		DELETED		
-227A	314T1215-2		DELETED		
			ATTACHING PARTS		
-230	HL12VAZ10-6		DELETED		
-233	HL1187DUW10		DELETED		
-236	HL12VAZ8-5		DELETED		
-239	HL12VAZ8-7		DELETED		
-242	314T1210-108		DELETED		
-245	BACS40R14B35F		DELETED		
-246	HL1187DUW8		DELETED		
-248	P20660		DELETED		
-251	314T1215-7		DELETED		
-251A	314T1215-3		DELETED		
-254	314T1215-8		DELETED		
-254A	314T1215-4		DELETED		
257	314T1216-1		..HINGE ASSY- (USED ON ITEMS 10K, 10L)	A,N	1
-257A	314T1216-5		..HINGE ASSY- (USED ON ITEMS 10G, 10J)	A,N	1
-257B	314T1216-15		..HINGE ASSY- (USED ON ITEMS 10M, 10N, 14, 14D, 14E)	A,C,E ,N-Q	1
-257C	314T1216-19		..HINGE ASSY- (USED ON ITEM 14F)	E,Q	1
-257D	314T1216-23		..HINGE ASSY- (USED ON ITEMS 14C, 14G)	E,Q	1
-258	314T1216-1		..HINGE ASSY- (OPT ITEM 258A) (USED ON ITEM 10H)	A,N	1
-258A	314T1216-5		..HINGE ASSY- (OPT ITEM 258) (USED ON ITEM 10H)	A,N	1
-260	314T1216-2		..HINGE ASSY- (USED ON ITEMS 15Q, 15R)	B	1

71-11-45

ILLUSTRATED PARTS LIST
 01.1 Page 1071
 Jun 01/95

FIG. & ITEM	PART NO.	AIRLINE PART NUMBER	NOMENCLATURE 1234567	EFF CODE	QTY PER ASSY
01- -260A	314T1216-6		..HINGE ASSY- (USED ON ITEMS 15M, 15P)	B	1
-260B	314T1216-16		..HINGE ASSY- (USED ON ITEMS 15S, 17M, 17P, 17Q, 17R)	B,D,F	1
-260C	314T1216-20		..HINGE ASSY- (USED ON ITEM 17S)	F	1
-260D	314T1216-24		..HINGE ASSY- (USED ON ITEMS 17P, 17T)	F	1
-261	314T1216-2		..HINGE ASSY- (OPT ITEM 261A) (USED ON ITEM 15N)	B	1
-261A	314T1216-6		..HINGE ASSY- (OPT ITEM 261) (USED ON ITEM 15N)	B	1
263	HL12VAZ8-5		..BOLT- (V56878) (SPEC BACB30NX8K5) (OPT HL12VAZ8-5 (V73197)) (OPT HL12VAZ8-5 (V92215)) (OPT HL12VAZ8-5 (V97928)) (OPT L802-8K5 (V06725)) (OPT HL12VAZ8-5 (V08524))	A-F, N-Q	3
266	HL1187DUW8		..COLLAR- (V73197) (SPEC BACC30X8SW) (OPT HL87DUW8 (V73197)) (OPT HL87DUW8 (V92215)) (OPT HL1187DUW8 (V56878)) (OPT HL1187DUW8 (V92215)) (OPT HL87DUW8 (V56878))	A-F, N-Q	3

71-11-45

ILLUSTRATED PARTS LIST
01.1 Page 1072
Jun 01/95

015T0109 015T0132
 015T0412 015T0437
 015T0540 315T1001
 314T1210

 **BOEING**
 COMPONENT
 MAINTENANCE MANUAL

FIG. & ITEM	PART NO.	AIRLINE PART NUMBER	NOMENCLATURE 1234567	EFF CODE	QTY PER ASSY
01-269	HL12VAZ6-7		..BOLT- (V56878) (SPEC BACB30NX6K7) (OPT HL12VAZ6-7 (V73197)) (OPT HL12VAZ6-7 (V92215)) (OPT HL12VAZ6-7 (V97928)) (OPT L802-6K7 (V06725)) (OPT HL12-7 (V06725))	A-F, N-Q	4
272	314T1210-82		..SHIM- (USED WITH ITEMS 257, 257A, 258, 258A, 260, 260, 260A, 260B, 261, 261A)	A-F, N-Q	1
-272A	314T1210-391		..SHIM- (USED WITH ITEMS 257C, 260C)	E,F,Q	1
275	HL1187DUW6		..COLLAR- (V73197) (SPEC BACC30X6SW) (OPT HL87DUW6 (V73197)) (OPT HL87DUW6 (V92215)) (OPT HL1187DUW6 (V56878)) (OPT HL1187DUW6 (V92215)) (OPT HL87DUW6 (V56878)) (OPT ITEM 275A)	A-F, N-Q	4
-275A	KFN542-3S		..NUT- (V15653) (OPT ITEM 275) -----*	A-F, N-Q	4

71-11-45

ILLUSTRATED PARTS LIST
 01.1 Page 1073
 Jun 01/95

FIG. & ITEM	PART NO.	AIRLINE PART NUMBER	NOMENCLATURE 1234567	EFF CODE	QTY PER ASSY
01-278	P20660		...BEARING- (V57606) (SPEC S302T001-300A) (OPT VTBO4520 (V06710)) (OPT AMB7-110 (V50294))	A-F, N-Q	1
281	314T1216-3		...FITTING-HINGE (USED ON ITEMS 257, 258)	A,C,E ,N-Q	1
-281A	314T1216-7		...FITTING-HINGE (USED ON ITEMS 257A, 258A)	A,N	1
-281B	314T1216-17		...FITTING- (USED ON ITEM 257B)	A,C,E ,N-Q	1
-281C	314T1216-21		...FITTING- (USED ON ITEM 257C)	E,Q	1
-281D	314T1216-25		...FITTING- (USED ON ITEM 257D)	E,Q	1
-284	314T1216-4		...FITTING-HINGE (USED ON ITEMS 260, 261)	B,D,F	1
-284A	314T1216-8		...FITTING-HINGE (USED ON ITEMS 260A, 261A)	B	1
-284B	314T1216-18		...FITTING- (USED ON ITEM 260B)	B,D,F	1
-284C	314T1216-22		...FITTING- (USED ON ITEM 260C)	F	1
-284D	314T1216-26		...FITTING- (USED ON ITEM 260D)	F	1

71-11-45

 ILLUSTRATED PARTS LIST
 01.1 Page 1074
 Jun 01/95

015T0109 015T0132
 015T0412 015T0437
 015T0540 315T1001
 314T1210

 **BOEING**
 COMPONENT
 MAINTENANCE MANUAL

FIG. & ITEM	PART NO.	AIRLINE PART NUMBER	NOMENCLATURE 1234567	EFF CODE	QTY PER ASSY
01-					
-286	314T1216-8		DELETED		
-287	314T1212-1		..ROD INSTL-HOLD OPEN (USED ON ITEM 13)	A,C,N ,P	1
-287A	314T1212-3		..ROD INSTL-HOLD OPEN (USED ON ITEMS 13B, 13C, 13D)	C,P	1
-287B	314T1212-5		..ROD INSTL-HOLD OPEN (FOR DETAILS SEE FIG. 3)	E,Q	1
-290	314T1212-2		..ROD INSTL-HOLD OPEN (USED ON ITEM 17)	B,D	1
-290A	314T1212-4		..ROD INSTL-HOLD OPEN (USED ON ITEMS 17A, 17B)	D	1
-290B	314T1212-6		..ROD INSTL-HOLD OPEN (FOR DETAILS SEE FIG. 3)	F	1
293	HL10VAZ8-4		...BOLT- (V60516) (SPEC BACB30MY8K4) (OPT HL10VAZ8-4 (VOPTK6))	A-D,N ,P	2
294	BACB30LJ3-34		DELETED		
295	314T1212-7		DELETED		
296	HL79-8		...COLLAR- (V56878) (SPEC BACC30M8) (OPT HL79-8 (V73197)) (OPT HL79-8 (V92215)) (OPT 66014-8 (V56878))	A-D,N ,P	2
297	BACB28U3G110		DELETED		
298	NAS1056C6-046		DELETED		
299	RC1108		...RECEIVER- (V08844) (SPEC S314T220-3) (PRE SB 767-71-0014)	A-D,N ,P	1

71-11-45

ILLUSTRATED PARTS LIST
 01.1 Page 1075
 Jun 01/95

FIG. & ITEM	PART NO.	AIRLINE PART NUMBER	NOMENCLATURE 1234567	EFF CODE	QTY PER ASSY
01-					
300	H01-3BAC		DELETED		
301	314T1334-1		DELETED		
-301A	314T1334-2		DELETED		
301B	314T1334-3		DELETED		
-301C	314T1334-4		DELETED		
302	MS24665-151		...PIN-COTTER	A-D,N P	1
303	314T1335-1		DELETED		
303A	314T1335-4		DELETED		
304	314T1335-3		DELETED		
304C	315T1606-1		DELETED		
304F	314T1335-5		DELETED		
305	BACB30PU4D11		...BOLT- (V06725) (SPEC BACB30PU4D11) (OPT BACB30PU4D11 (V08524)) (OPT BACB30PU4D11 (V17943)) (OPT BACB30PU4D11 (V27624)) (OPT BACB30PU4D11 (V97928))	A-D,N P	1
307	AN960C616		DELETED		
308	AN960-416		...WASHER	A-D,N P	1
310	H01-6BAC		DELETED		
311	BACN10JD103ASU		...NUT- (V15653) (SPEC BACN10JD103ASU) (OPT BACN10JD103ASU (V56878)) (OPT BACN10JD103ASU (V72962)) (OPT BACN10JD103ASU (V92595))	A-D,N P	1

71-11-45

 ILLUSTRATED PARTS LIST
 01.1 Page 1076
 Jun 01/95

015T0109 015T0132
 015T0412 015T0437
 015T0540 315T1001
 314T1210

 **BOEING**
 COMPONENT
 MAINTENANCE MANUAL

FIG. & ITEM	PART NO.	AIRLINE PART NUMBER	NOMENCLATURE 1234567	EFF CODE	QTY PER ASSY
01-312	BLC4B18SL4		...PIN ASSY-BALL LOCK (V84256) (POST SB 767-71A0025) (OPT ITEM 312A)	A-D,N P	1
-312A	CL4BLPB1-8SL4		...PIN ASSY-BALL LOCK (V99862) (POST SB 767-71A0025) (OPT ITEM 312)	A-D,N P	1
312D	MS35842-16		...CLAMP- (POST SB 767-71A0025) (OPT ITEM 312E)	A-D,N P	1
-312E	NAS1922-0700		...CLAMP- (POST SB 767-71A0025) (OPT ITEM 312D)	A-D,N P	1
312M	A2974-1		DELETED		
313	S314T220-12		DELETED		
313A	A2970-1		DELETED		
313B	MS51861-15C		...SCREW- (POST SB 767-71A0025)	A-D,N P	1
313F	BCREF8660		...BLOCK-PIN STOWAGE (POST SB 767-71A0025)	A-D,N P	1
313K	BAC27TTR0043		...MARKER-ALUMINUM FOIL (POST SB 767-71A0025)	A-D,N P	1
314	A2739-6		DELETED		
314A	A2739-5		...ROD ASSY- (V08844) (SPEC S314T220-6) (PRE SB 767-71A0025) (PRE SB 767-71-0014)	A-D,N P	1
R -314B	315T3159-2		...ROD ASSY- (POST SB 767-71A0025) (FOR DETAILS SEE FIG. 4)	A-D,N P	1

71-11-45

ILLUSTRATED PARTS LIST
 01.1 Page 1077
 Jun 01/95

FIG. & ITEM	PART NO.	AIRLINE PART NUMBER	NOMENCLATURE 1234567	EFF CODE	QTY PER ASSY
R 01-314C	A2974-1		...ROD ASSY- (V08844) (SPEC S314T220-12) (OPT 55395-12 (V84256)) (POST SB 767-71-0014)	A-D,N ,P	1
R -314D	55395-12		...ROD ASSY- (V84256) (SPEC S314T220-12) (OPT A2974-1 (V08844)) (POST SB 767-71-0014)	A-D,N ,P	1
R 317	314T3812-2		...EYEBOLT- (USED ON ITEMS 287, 290)	A-D,N ,P	1
318	314T3812-4		...EYEBOLT- (USED ON ITEMS 287A, 290A)	A-D,N ,P	1
320	AN960C416		DELETED		
320A	AN960XC416L		...WASHER	A-D,N ,P	1
321	B0625-022S		...WASHER- (V83553) (USED WITH ITEM 318)	A-D,N ,P	1
322	MS27183-12		...WASHER- (USED WITH ITEM 318)	A-D,N ,P	1
322G	AN960KD516L		...WASHER- (USED WITH ITEM 318)	A-D,N ,P	1
323	H01-4BAC		...NUT- (V15653) (SPEC BACN10JC4CM) (OPT NS202101SE048 (V80539)) (OPT T6C428JM (V11815)) (OPT VN303D048 (V92215)) (OPT 109LH9075-4W (V72962)) (OPT 97E48 (V80539))	A-D,N ,P	1

71-11-45

 ILLUSTRATED PARTS LIST
 01.1 Page 1078
 Jun 01/95

015T0109 015T0132
 015T0412 015T0437
 015T0540 315T1001
 314T1210

 **BOEING**
 COMPONENT
 MAINTENANCE MANUAL

FIG. & ITEM	PART NO.	AIRLINE PART NUMBER	NOMENCLATURE 1234567	EFF CODE	QTY PER ASSY
01-326	BACB28AM05C020		..BUSHING- (USED ON ITEMS 10G, 10H, 10J, 10K, 15M, 15N, 15P, 15Q)	A,B,N	1
-326A	BACB28AM05C015		..BUSHING- (USED ON ITEMS 10L, 15R, 10M, 10N, 15S)	A-D,N	1
-327	BACB28AM06C015A		..BUSHING	E,F,Q	1
329	NAS6704-13		..BOLT	A,C,E ,N-Q	2
330	NAS6704-13		..BOLT- (USED ON ITEMS 14, 14C, 14D, 14E, 14F, 14G)	A,C,E ,N-Q	4
-330A	NAS6704-14		..BOLT- (USED ON ITEM 14H)	E,Q	4
331	NAS6704-12		..BOLT- (USED ON ITEMS 14, 14C, 14D, 14E, 14F, 14G)	A,C,E ,N-Q	2
-331A	NAS6704-13		..BOLT- (USED ON ITEM 14H)	E,Q	2
332	NAS6704-15		DELETED		
335	NAS6704-14		..BOLT	A,C,E ,N-Q	4
338	NAS6704-16		DELETED		
341	BACB30LR4-17		..BOLT	A,C,E ,N-Q	2
344	BACB30LR4-19		DELETED		
345	BACB30LR4-15		..BOLT	A,C,E ,N-Q	2
347	AN960-416		..WASHER	A,C,E ,N-Q	16

71-11-45

ILLUSTRATED PARTS LIST
 01.1 Page 1079
 Jun 01/95

FIG. & ITEM	PART NO.	AIRLINE PART NUMBER	NOMENCLATURE 1234567	EFF CODE	QTY PER ASSY
01-350	314T3210-96		..FILLER	A,C,E ,N-Q	8
353	H10-4BAC		..NUT- (V15653) (SPEC BACN10JC4) (OPT NS202101-048 (V80539)) (OPT RMLH9075-4W (V72962)) (OPT T6S428J (V71087)) (OPT VN303A048 (V92215)) (OPT 96-048 (V80539)) (OPT BRH10A4 (V52828))	A,C,E ,N-Q	16
356	314T1210-66		..PLATE- (PRE SB 767-71-0037) (USED ON ITEMS 14, 14C, 14D, 14E, 14F, 14G)	A,C,E ,N-Q	1
R -356A	314T1339-10		..PLATE- (POST SB 767-71-0037) (USED ON ITEMS 14, 14C, 14D, 14E, 14F, 14G)	A,C,E ,N-Q	1
357	314T1339-9		..STOP-ANTI-ROTATION (USED ON ITEM 14H)	E,Q	1
358	314T1339-10		..PLATE-STRIKE (USED ON ITEM 14H)	E,Q	1
359	314T3210-77		DELETED		
360	314T1339-11		..STOP-ANTI-ROTATION (USED ON ITEM 14H)	E,Q	3
362	S314N104-2		DELETED		
362A	9409-2		..KEEPER ASSY- (V84256) (SPEC S314N104-2) (OPT ITEM 362B)	A,C,E ,N-Q	4
-362B	H2827-9		..KEEPER ASSY- (V83014) (OPT ITEM 362A)	A,C,E ,N-Q	4
365	MS24665-134		..PIN-COTTER	B,D,F	4
368	BACB30LT5D33		..BOLT-	B,D,F	1

71-11-45

 ILLUSTRATED PARTS LIST
 01.1 Page 1080
 Jun 01/95

015T0109 015T0132
 015T0412 015T0437
 015T0540 315T1001
 314T1210

 **BOEING**
 COMPONENT
 MAINTENANCE MANUAL

FIG. & ITEM	PART NO.	AIRLINE PART NUMBER	NOMENCLATURE 1234567	EFF CODE	QTY PER ASSY
01-					
R 370	BACB37LT5D33		DELETED		
370A	BACB30LT5D31		..BOLT	B,D,F	3
371	AN960-516		..WASHER	B,D,F	7
374	BACN10JD5		..NUT- (V15653) (SPEC BACN10JD5) (OPT BACN10JD5 (V56878)) (OPT BACN10JD5 (V72962)) (OPT BACN10JD5 (V92595))	B,D,F	4
377	BACB28AM05B013A		..BUSHING	B,D,F	1
380	BACB28AM05B023A		..BUSHING	B,D,F	1
383	S314N102-3		DELETED		
383A	S314N102-2		DELETED		
383B	H2840-3		..LATCH ASSY- (V83014) (OPT ITEM 383C)	B,D,F	4
-383C	9415-2		..LATCH ASSY- (V84256) (SPEC S314N102-2) (OPT ITEM 383B)	B,D,F	4
386	BACB28X6M025		..BUSHING	B,D,F	4
387	BACR15CE5KE		DELETED		
387A	BACR15CE4KE		..RIVET- (SIZE DETERMINE ON INST)	A-F, N-Q	12
387B	314T1210-84		..PLATE-WEAR (USED ON ITEMS 13, 17)	A-D,N ,P	6

71-11-45

ILLUSTRATED PARTS LIST
 01.1 Page 1080A
 Jun 01/95

FIG. & ITEM	PART NO.	AIRLINE PART NUMBER	NOMENCLATURE 1234567	EFF CODE	QTY PER ASSY
01- 387C -387D	314T1210-385 314T1210-329		DELETED ..PLATE-WEAR (USED ON ITEMS 13B, 13C, 13D, 17A, 17B)	C-F,P ,Q	6
387F	BACF3T03H5-12		..FILLER	A-F, N-Q	6
387H 387J	BACR15CE5KE BACR15CE4KE		DELETED ..RIVET- (SIZE DETERMINE ON INST)	A-D,N ,P	4
387K	314T1210-84		..PLATE-WEAR (USED ON ITEMS 13, 17)	A-D,N ,P	2
-387M	314T1210-329		..PLATE-WEAR (USED ON ITEMS 13B, 13C, 13D, 14, 14D, 17A, 17B, 17M, 17Q)	C-F,P ,Q	2
387P	BACF3T03H5-12		..FILLER	A-D,N ,P	2
387R 387S	BACR15CE5KE BACR15CE4KE		DELETED ..RIVET- (SIZE DETERMINE ON INST) (USED ON ITEMS 14C, 14E, 14F, 14G, 17P, 17R, 17S, 17T)	E,F,Q	11
387T	314T1210-385		..PLATE-WEAR (USED ON ITEMS 14C, 14E, 14F, 14G, 14H, 17P, 17R, 17S, 17T)	E,F,Q	1
387V	314T1210-394		..SHIM- (USED ON ITEMS 14C, 14E, 14F, 14G, 14H, 17P, 17R, 17S, 17T)	E,F,Q	1
387X 387Y	BACR15CE5KE BACR15CE4KE		DELETED ..RIVET- (SIZE DETERMINE ON INST) (USED ON ITEMS 10G, 10J, 10K, 10L, 10M, 10N, 15M, 15P, 15Q, 15R, 15S)	A-F, N-Q	20

71-11-45

 ILLUSTRATED PARTS LIST
 01.1 Page 1080B
 Jun 01/95

015T0109 015T0132
 015T0412 015T0437
 015T0540 315T1001
 314T1210

 **BOEING**
 COMPONENT
 MAINTENANCE MANUAL

FIG. & ITEM	PART NO.	AIRLINE PART NUMBER	NOMENCLATURE 1234567	EFF CODE	QTY PER ASSY
01-388	314T1210-237		..PLATE-WEAR (USED ON ITEMS 10J, 10K, 10L, 10M, 10N, 13)	A,C,N ,P	1
-388A	314T1210-327		..PLATE-WEAR (USED ON ITEMS 13B, 13C, 13D)	A,C,N ,P	1
388B	314T1210-238		..PLATE-WEAR (USED ON ITEMS 15P, 15Q, 15R, 17)	B,D	1
-388D	314T1210-328		..PLATE-WEAR (USED ON ITEMS 17A, 17B)	B,D	1
388E	314T1210-133		..PLATE-WEAR (USED ON ITEM 10G)	A,N	1
-388G	314T1210-134		..PLATE-WEAR (USED ON ITEM 15M)	B	1
388K	314T1210-151		..PLATE-WEAR (USED ON ITEM 10G)	A,N	1
-388M	314T1210-152		..PLATE-WEAR (USED ON ITEM 15M)	B	1
388P	BACF3T03H5-100		..FILLER- (USED ON ITEMS 10J, 10K, 10L, 10M, 10N, 13, 15P, 15Q, 15R, 15S, 17)	A-D,N ,P	2
-388Q	BACF3T02G5-100		..FILLER- (USED ON ITEMS 13B, 13C, 13D, 14, 14C, 14D, 14E, 17A, 17B, 17M, 17P, 17Q, 17R)	C-F,P ,Q	2
388R	BACF3T02G5-100		..FILLER- (USED ON ITEMS 14F, 14G, 14H, 17S, 17T)	E,F,Q	1
388S	314T1210-397		..SHIM- (USED ON ITEMS 14F, 14G, 14H)	E,Q	1
-388T	314T1210-398		..SHIM- (USED ON ITEMS 17S, 17T)	F	1
388U	BACF3T03H5-46		..FILLER- (USED ON ITEMS 10J, 10K, 10L, 10M, 10N, 13, 15P, 15Q, 15R, 15S, 17)	A-D,N ,P	1

71-11-45

ILLUSTRATED PARTS LIST
 01.1 Page 1080C
 Jun 01/95

FIG. & ITEM	PART NO.	AIRLINE PART NUMBER	NOMENCLATURE 1234567	EFF CODE	QTY PER ASSY
01- -388V	BACF3T02G5-46		..FILLER- (USED ON ITEMS 13B, 13C, 13D, 14, 14C, 14D, 14E, 17A, 17B, 17M, 17P, 17Q, 17R)	C-F,P ,Q	1
388W	314T1210-395		..SHIM- (USED ON ITEMS 14F, 14G, 14H)	E,Q	1
-388X	314T1210-396		..SHIM- (USED ON ITEMS 17S, 17T)	F	1
388Y	314T1210-69		..SHIM- (USED ON ITEMS 10G, 15M)	A,B	2
388Z	314T1210-52		..SHIM- (USED ON ITEMS 10G, 15M)	A,B	2
389	314T1210-74		DELETED		
389A	314T1210-168		DELETED		
389B	314T1210-206		..PANEL ASSY- (USED ON ITEMS 15N, 15P, 15Q)	B	1
-389C	314T1210-202		DELETED		
-389D	314T1210-208		..PANEL ASSY- (USED ON ITEMS 15R, 15S, 17)	B,D	1
-389E	314T1210-204		..PANEL ASSY- (USED ON ITEM 15M)	B	1
-389F	314T1210-336		..PANEL ASSY- (USED ON ITEM 17A)	D	1
-389G	314T1210-326		..PANEL ASSY- (USED ON ITEM 17B)	D	1
-389H	314T1210-384		..PANEL ASSY- (USED ON ITEMS 17M, 17P, 17Q, 17R)	F	1
-389J	314T1210-390		..PANEL ASSY- (USED ON ITEM 17S)	F	1
-389K	314T1210-400		..PANEL ASSY- (USED ON ITEM 17T)	F	1
389X	MS20427M		DELETED		
389Y	MS20427M6C		...RIVET- (SIZE DETERMINE ON INST)	B,D,F	9
389Z	69B90687-501		...CATCH	B,D,F	1
390	BACR15CE3KE		...RIVET- (SIZE DETERMINE ON INST)	B,D,F	82
391	314T1210-199		...STRIP-RUB	B,D,F	1
392	BACF3T05L8-8		DELETED		

71-11-45

 ILLUSTRATED PARTS LIST
 01.1 Page 1080D
 Jun 01/95

015T0109 015T0132
 015T0412 015T0437
 015T0540 315T1001
 314T1210

 **BOEING**
 COMPONENT
 MAINTENANCE MANUAL

FIG. & ITEM	PART NO.	AIRLINE PART NUMBER	NOMENCLATURE 1234567	EFF CODE	QTY PER ASSY
01-393	BACR15CE3KE		...RIVET- (SIZE DETERMINE ON INST)	B,D,F	20
394	314T1210-198		...STRIP-RUB (PRE SB 767-54-0038)	B,D,F	1
-394A	314T1001-11		...STRIP-RUB (POST SB 767-54-0038)	B,D,F	1
395	314T1210-83		DELETED		
398	BACS40R08D18F		DELETED		
401	HL12VAZ6-3		DELETED		
402	HL12VAZ6-3		DELETED		
404	HL12VAZ6-4		DELETED		
404A	HL12VAZ6-4		DELETED		
406	AN960PD616		DELETED		
406A	AN960PD10		DELETED		
406B	AN960PD10		DELETED		
407	HL1187DUW6		DELETED		
-407A	KFN542-3S		DELETED		
408	H10-6BAC		DELETED		
408A	H10-3BAC		DELETED		
408B	H10-3BAC		DELETED		
410	HL11VAZ6-6		DELETED		
411	HL11VAZ6-6		DELETED		
413	HL11VAZ6-3		DELETED		
416	HL97DU6		DELETED		
417	HL97DU6		DELETED		
419	HL11VAZ6-5		DELETED		
422	HL11VAZ6-4		DELETED		
425	HL82-6APBW		DELETED		
428	BACR15CE5KE		DELETED		
431	BACS40R09C24F		DELETED		
434	BACS40R11C20F		DELETED		

71-11-45

ILLUSTRATED PARTS LIST
 01.1 Page 1080E
 Jun 01/95

FIG. & ITEM	PART NO.	AIRLINE PART NUMBER	NOMENCLATURE 1234567	EFF CODE	QTY PER ASSY
01-					
437	BACS40R11C23F		DELETED		
440	BACS40R09D15F		DELETED		
441	BACS40R09D15F		DELETED		
442	BACS40R16B16F		DELETED		
443	314T1210-4		DELETED		
443A	314T1210-200		DELETED		
443B	314T1210-242		DELETED		
444	314T1210-404		DELETED		
444C	314T1210-402		DELETED		
446	HL12VAZ6-3		DELETED		
449	HL1187DUW6		DELETED		
-449A	KFN542-3S		DELETED		
452	314T1210-85		DELETED		
453	HL11VAZ6-3		DELETED		
453C	HL97DU6		DELETED		
454	314T1210-403		DELETED		
455	314T1223-1		...FITTING ASSY-LATCH (USED ON ITEMS 389B, 389D, 389H)	B,D,F	1
-455A	314T1223-4		...FITTING ASSY-LATCH (USED ON ITEM 389E)	B	1
-455B	314T1223-6		...FITTING ASSY-LATCH (USED ON ITEMS 389J, 389K)	F	1
			ATTACHING PARTS		
458	HL11VAZ6-3		DELETED		
461	HL97DU6		DELETED		
464	HL11VAZ6-5		DELETED		
467	BACS40R09C35F		DELETED		
470	HL82-6APBW		DELETED		

71-11-45

 ILLUSTRATED PARTS LIST
 01.1 Page 1080F
 Jun 01/95

015T0109 015T0132
 015T0412 015T0437
 015T0540 315T1001
 314T1210

 **BOEING**
 COMPONENT
 MAINTENANCE MANUAL

FIG. & ITEM	PART NO.	AIRLINE PART NUMBER	NOMENCLATURE 1234567	EFF CODE	QTY PER ASSY
01-					
473	BACB28AM05B023A	BUSHING	B,D,F	2
476	314T1223-2	FITTING- (USED ON ITEM 455)	B,D,F	1
-476A	314T1223-5	FITTING- (USED ON ITEM 455A)	B	1
-476B	314T1223-7	FITTING- (USED ON ITEM 455B)	F	1
479	314T1222-1		...FITTING ASSY-LATCH (USED ON ITEMS 389B, 389D)	B,D,F	1
-479A	314T1222-4		...FITTING ASSY-LATCH (USED ON ITEM 389E)	B	1
482	HL11VAZ6-3		DELETED		
485	HL97DU6		DELETED		
488	HL11VAZ6-4		DELETED		
491	HL11VAZ6-5		DELETED		
494	BACS40R18C23F		DELETED		
497	HL82-6APBW		DELETED		
500	BACB28AM05B023A	BUSHING	B,D,F	2
506	314T1222-2	FITTING- (USED ON ITEM 479)	B,D,F	1
-506A	314T1222-5	FITTING- (USED ON ITEM 479A)	B	1
509	314T1221-1		...FITTING ASSY-LATCH (USED ON ITEMS 389B, 389D)	B,D,F	1
-511	314T1221-4		...FITTING ASSY-LATCH (USED ON ITEM 389E)	B	1
512	HL11VAZ6-3		DELETED		
515	HL97DU6		DELETED		
518	HL11VAZ6-6		DELETED		
521	BACS40R18C20F		DELETED		
524	HL82-6APBW		DELETED		
527	BACB28AM05B023A	BUSHING	B,D,F	2
530	314T1221-2	FITTING- (USED ON ITEM 509)	B,D,F	1
-530A	314T1221-5	FITTING- (USED ON ITEM 511)	B	1
533	314T1220-1		...FITTING ASSY-LATCH (USED ON ITEM 389B)	B,F	1

71-11-45

ILLUSTRATED PARTS LIST
 01.1 Page 1080G
 Jun 01/95

FIG. & ITEM	PART NO.	AIRLINE PART NUMBER	NOMENCLATURE 1234567	EFF CODE	QTY PER ASSY
01-					
-533A	314T1220-6		DELETED		
-533B	314T1220-1		DELETED		
-533C	314T1220-4		...FITTING ASSY-LATCH (USED ON ITEM 389E)	B	1
-533D	314T1220-6		...FITTING ASSY-LATCH (OPT ITEM 533E) (USED ON ITEMS 389D, 389F)	B,D	1
-533E	314T1220-1		...FITTING ASSY-LATCH (OPT ITEM 533D) (USED ON ITEMS 389D, 389F)	B,D	1
-533F	314T1220-1		...FITTING ASSY-LATCH (OPT ITEMS 533G, 533H) (USED ON ITEM 389G)	D	1
-533G	314T1220-6		...FITTING ASSY-LATCH (OPT ITEMS 533F, 533H) (USED ON ITEM 389G)	D	1
-533H	314T1220-9		...FITTING ASSY-LATCH (OPT ITEMS 533F, 533G) (USED ON ITEM 389G)	D	1
536	HL12VAZ6-5		DELETED		
539	HL1187DUW6		DELETED		
-539A	KFN542-3S		DELETED		
542	HL11VAZ6-3		DELETED		
545	HL11VAZ6-6		DELETED		
548	BACS40R15C25F		DELETED		
551	HL97DU6		DELETED		
554	BACB28AM05B023A	BUSHING	B,D,F	1
557	314T1220-2	FITTING- (USED ON ITEMS 533, 533D, 533E)	B,D,F	1
-557A	314T1220-7		DELETED		

71-11-45

 ILLUSTRATED PARTS LIST
 01.1 Page 1080H
 Jun 01/95

015T0109 015T0132
 015T0412 015T0437
 015T0540 315T1001
 314T1210

 **BOEING**
 COMPONENT
 MAINTENANCE MANUAL

FIG. & ITEM	PART NO.	AIRLINE PART NUMBER	NOMENCLATURE 1234567	EFF CODE	QTY PER ASSY
01- -557B	314T1220-5	FITTING- (USED ON ITEM 533C)	B	1
558	314T1220-10	FILLER- (USED ON ITEM 533H)	D	1
559	HL11VAZ5-3		...BOLT- (V56878) (SPEC BACB30NW5K3) (OPT B30NW5K3 (V97928)) (OPT HL11VAZ5-3 (V73197)) (OPT HL11VAZ5-3 (V92215)) (OPT HL11VAZ5-3 (V97928)) (OPT L803-5K3 (V06725)) (OPT HL11VAZ5-3 (V0PTK6)) (OPT HL11VAZ5-3 (V60516))	B,D,F	4
559F	HL97DU5		...COLLAR- (V73197) (SPEC BACC30AB5S) (OPT HL97DU5 (V92215)) (OPT HL97DU5 (V56878))	B,D,F	4
559M	CSR904B5-4		...RIVET- (V05693))	B,D,F	22
559T	BACR15CE5KE		...RIVET- (SIZE DETERMINE ON INST)	B,D,F	23
-560	314T1210-72		DELETED		
-560A	314T1210-166		DELETED		
-560B	314T1210-204		DELETED		
560C	314T1210-370		...STRAP- (USED ON ITEM 389G)	D,F	1
-560D	314T1210-324		...STRAP- (USED ON ITEM 389F)	D	1
-560P	314T1210-57		...STRAP- (USED ON ITEMS 389B, 389D, 389E)	B,D	1
561	314T3019-2		..PIN-SHEAR	A,C,E ,N-Q	4
-563	BACF3T05L8-8		DELETED		

71-11-45

ILLUSTRATED PARTS LIST
 01.1 Page 1080I
 Jun 01/95

FIG. & ITEM	PART NO.	AIRLINE PART NUMBER	NOMENCLATURE 1234567	EFF CODE	QTY PER ASSY
01-564	AN960-416		..WASHER	A,C,E ,N-Q	4
-566 567	314T1210-83 H10-4BAC		DELETED ..NUT- (V15653) (SPEC BACN10JC4) (OPT NS202101-048 (V80539)) (OPT RMLH9075-4W (V72962)) (OPT T6S428J (V71087)) (OPT VN303A048 (V92215)) (OPT 96-048 (V80539)) (OPT BRH10A4 (V52828))	A,C,E ,N-Q	4
-569 570	BACS40R08D18F 314T1210-165		DELETED ..PANEL ASSY- (USED ON ITEM 10G)	A,N	1
-570A	314T1210-167		..PANEL ASSY- (USED ON ITEM 10H)	A,N	1
-570B	314T1210-169		..PANEL ASSY- (USED ON ITEMS 10J, 10K)	A,N	1
-570C	314T1210-201		..PANEL ASSY- (USED ON ITEMS 10L, 10M)	A,N	1
-570D	314T1210-249		..PANEL ASSY- (USED ON ITEM 13)	C,P	1
-570E	314T1210-325		DELETED		
-570F	314T1210-353		..PANEL ASSY- (USED ON ITEMS 13B, 13C)	C,P	1
-570G	314T1210-352		..PANEL ASSY- (USED ON ITEM 10N)	A,N	1
-570H	314T1210-355		..PANEL ASSY- (USED ON ITEM 13D)	C,P	1
-570J	314T1210-383		..PANEL ASSY- (USED ON ITEMS 14, 14C, 14D, 14E)	E,Q	1
-570K	314T1210-389		..PANEL ASSY- (USED ON ITEMS 14F, 14H)	E,Q	1
-570L	314T1210-399		..PANEL ASSY- (USED ON ITEM 14G)	E,Q	1
-572 572A	HL12VAZ6-3 HL12VAZ6-3		DELETED DELETED		

71-11-45

 ILLUSTRATED PARTS LIST
 01.1 Page 1080J
 Jun 01/95

015T0109 015T0132
 015T0412 015T0437
 015T0540 315T1001
 314T1210

 **BOEING**
 COMPONENT
 MAINTENANCE MANUAL

FIG. & ITEM	PART NO.	AIRLINE PART NUMBER	NOMENCLATURE 1234567	EFF CODE	QTY PER ASSY
01-					
572G	BACB30FQ6A3		DELETED		
573	HL12VAZ6-3		DELETED		
-575	HL12VAZ6-4		DELETED		
576	HL1187DUW6		DELETED		
-576A	KFN542-3S		DELETED		
577	HL1187DUW6		DELETED		
-578	HL1187DUW6		DELETED		
578A	HL97DU6		DELETED		
579	HL11VAZ6-3		DELETED		
-581	HL11VAZ6-6		DELETED		
582	HL11VAZ6-4		DELETED		
-584	HL11VAZ6-3		DELETED		
585	HL11VAZ6-5		DELETED		
-587	HL97DU6		DELETED		
588	HL11VAZ6-6		DELETED		
-590	HL11VAZ6-5		DELETED		
591	HL11VAZ6-7		DELETED		
-593	HL11VAZ6-4		DELETED		
594	HL11VAZ6-8		DELETED		
-596	HL82-6APBW		DELETED		
597	BACB30NW6K		DELETED		
-599	BACR15CE5KE		DELETED		
600	HL97DU6		DELETED		
-602	BACS40R09C24F		DELETED		
603	HL82-6APBW		DELETED		
-605	BACS40R11C20F		DELETED		
606	BACR15CE5KE		DELETED		
-608	BACS40R11C23F		DELETED		
609	BACS40R15B56F		DELETED		
-611	BACS40R09D15F		DELETED		

71-11-45

ILLUSTRATED PARTS LIST
 01.1 Page 1080K
 Jun 01/95

FIG. & ITEM	PART NO.	AIRLINE PART NUMBER	NOMENCLATURE 1234567	EFF CODE	QTY PER ASSY
01-					
612	BACS40R15B55F		DELETED		
-614	314T1210-4		DELETED		
-614A	314T1210-200		DELETED		
615	BACS40R14B56F		DELETED		
616	BACS40R08B26F		DELETED		
-617	HL12VAZ6-3		DELETED		
618	314T1210-65		DELETED		
619	314T1210-361		DELETED		
-620	HL1187DUW6		DELETED		
621	314T1210-241		DELETED		
-621A	314T1210-354		DELETED		
-621B	314T1210-401		DELETED		
622	314T1246-1		DELETED		
-622A	314T1246-3		DELETED		
-623	314T1210-85		DELETED		
624	HL12VAZ6-5		DELETED		
-626	314T1223-4		DELETED		
627	HL1187DUW6		DELETED		
-627A	KFN542-3S		DELETED		
-629	HL11VAZ6-3		DELETED		
630	HL11VAZ6-6		DELETED		
-632	HL97DU6		DELETED		
633	HL11VAZ6-7		DELETED		
-635	HL11VAZ6-5		DELETED		
636	HL97DU6		DELETED		
-638	BACS40R09C35F		DELETED		
640	314T1224-3		DELETED		
-640A	314T1224-1		DELETED		
-640B	314T1224-1		DELETED		
-640C	314T1224-4		DELETED		

71-11-45

 ILLUSTRATED PARTS LIST
 01.1 Page 1080L
 Jun 01/95

015T0109 015T0132
 015T0412 015T0437
 015T0540 315T1001
 314T1210

 **BOEING**
 COMPONENT
 MAINTENANCE MANUAL

FIG. & ITEM	PART NO.	AIRLINE PART NUMBER	NOMENCLATURE 1234567	EFF CODE	QTY PER ASSY
01-					
-640D	314T1224-4		DELETED		
-640E	314T1224-1		DELETED		
-640F	314T1224-4		DELETED		
-641	HL82-6APBW		DELETED		
643	HL11VAZ6-5		DELETED		
-644	BACB28AM05B023A		DELETED		
646	HL11VAZ6-7		DELETED		
-647	314T1223-5		DELETED		
649	HL82-6APBW		DELETED		
-650	314T1222-4		DELETED		
652	314T1225-3		DELETED		
-652A	314T1225-1		DELETED		
-653	HL11VAZ6-3		DELETED		
655	HL11VAZ6-6		DELETED		
-656	HL97DU6		DELETED		
658	HL11VAZ6-7		DELETED		
-659	HL11VAZ6-4		DELETED		
661	HL82-6APBW		DELETED		
-662	HL11VAZ6-5		DELETED		
664	314T1226-3		DELETED		
-664A	314T1226-1		DELETED		
-665	BACS40R18C23F		DELETED		
667	HL11VAZ6-3		DELETED		
-668	HL82-6APBW		DELETED		
670	HL11VAZ6-5		DELETED		
-671	BACB28AM05B023A		DELETED		
673	HL82-6APBW		DELETED		
-674	314T1222-5		DELETED		
676	BACS40R09B20F		DELETED		
-677	314T1221-4		DELETED		
679	314T1218-3		DELETED		
-679A	314T1218-1		DELETED		
-679B	314T1218-4		DELETED		
679F	MS20427M6C		...RIVET- (SIZE DETERMINE ON INST)	A,C,E ,N-Q	9
679G	MS20427M		DELETED		
-680	HL11VAZ6-3		DELETED		
680G	69B90687-501		...CATCH	A,C,E ,N-Q	1
681	BACR15CE3KE		...RIVET- (SIZE DETERMINE ON INST)	A,C,E ,N-Q	82

71-11-45

ILLUSTRATED PARTS LIST
 01.1 Page 1080M
 Jun 01/95

FIG. & ITEM	PART NO.	AIRLINE PART NUMBER	NOMENCLATURE 1234567	EFF CODE	QTY PER ASSY
01-682	314T1210-199		...STRIP-RUB	A,N	1
-683	HL97DU6		DELETED		
684	314T1210-317		...STRIP-RUB	C,E,P ,Q	1
685	314T1210-318		...STRIP-RUB	C,E,P ,Q	1
-686	HL11VAZ6-6		DELETED		
687	314T1210-319		...STRIP-RUB	C,E,P ,Q	1
688	314T1210-320		...STRIP-RUB	C,E,P ,Q	1
-689	BACS40R18C20F		DELETED		
690	BACR15CE3KE		...RIVET- (SIZE DETERMINE ON INST)	A,C,E ,N-Q	20
691	314T1210-198		...STRIP-RUB (PRE SB 767-54-0038)	A,C,E ,N-Q	1
-691A	314T1001-11		...STRIP-RUB (POST SB 767-54-0038)	A,C,E ,N-Q	1
691F	HL11VAZ5-3		...BOLT- (V56878) (SPEC BACB30NW5K3) (OPT B30NW5K3 (V97928)) (OPT HL11VAZ5-3 (V73197)) (OPT HL11VAZ5-3 (V92215)) (OPT HL11VAZ5-3 (V97928)) (OPT L803-5K3 (V06725)) (OPT HL11VAZ5-3 (V0PTK6)) (OPT HL11VAZ5-3 (V60516))	A,C,E ,N-Q	8
691M	HL97DU5		...COLLAR- (V73197) (SPEC BACC30AB5S) (OPT HL97DU5 (V92215)) (OPT HL97DU5 (V56878))	A,C,E ,N-Q	8
691T	CSR904B5-4		...RIVET- (V05693))	A,C,E ,N-Q	32

71-11-45

015T0109 015T0132
 015T0412 015T0437
 015T0540 315T1001
 314T1210

 **BOEING**
 COMPONENT
 MAINTENANCE MANUAL

FIG. & ITEM	PART NO.	AIRLINE PART NUMBER	NOMENCLATURE 1234567	EFF CODE	QTY PER ASSY
01-					
-692	HL82-6APBW		DELETED		
692A	BACR15CE5KE		...RIVET-	A,C,E	19
			(SIZE DETERMINE ON INST)	,N-Q	
692G	314T1210-323		...STRAP-	C,E,P	1
			(USED ON ITEMS 570F, 570H)	,Q	
-692N	314T1210-56		...STRAP-	A,C,N	1
			(USED ON ITEMS 570D)	,P	
693	314T1238-1		..DUCT ASST-LP RECOUP EXH	A,C,E	1
				,N-Q	
-695	BACB28AM05B023A		DELETED		
696	HL11VAZ6-3		..BOLT-	A,C,E	18
			(V56878)	,N-Q	
			(SPEC BACB30NW6K3)		
			(OPT B30NW6K3		
			(V97928))		
			(OPT HL11VAZ6-3		
			(V73197))		
			(OPT HL11VAZ6-3		
			(V92215))		
			(OPT HL11VAZ6-3		
			(V97928))		
			(OPT L803-6K3		
			(V06725))		
			(OPT HL11VAZ6-3		
			(V0PTK6))		
			(OPT HL11VAZ6-3		
			(V60516))		
			-----*-----		

71-11-45

ILLUSTRATED PARTS LIST
 01.1 Page 10800
 Jun 01/95

FIG. & ITEM	PART NO.	AIRLINE PART NUMBER	NOMENCLATURE	EFF CODE	QTY PER ASSY
01- -698	314T1221-5		DELETED		
699	HL11VAZ6-4		ATTACHING PARTS ..BOLT- (V56878) (SPEC BACB30NW6K4) (OPT HL11V6-4 (V92215)) (OPT HL11V6-4 (V97928)) (OPT L803-6-4 (V06725)) (OPT B30NW6K4 (V97928)) (OPT HL11VAZ6-4 (V73197)) (OPT HL11VAZ6-4 (V92215)) (OPT HL11VAZ6-4 (V97928)) (OPT L803-6K4 (V06725)) (OPT HL11V6-4 (V80539)) -----*	A,C,E ,N-Q	2
-701	314T1220-4		DELETED		

71-11-45

015T0109 015T0132
 015T0412 015T0437
 015T0540 315T1001
 314T1210

 **BOEING**
 COMPONENT
 MAINTENANCE MANUAL

FIG. & ITEM	PART NO.	AIRLINE PART NUMBER	NOMENCLATURE 1234567	EFF CODE	QTY PER ASSY
01- 702	HL11VAZ6-5		ATTACHING PARTS ..BOLT- (V56878) (SPEC BACB30NW6K5) (OPT HL11V6-5 (V92215)) (OPT HL11V6-5 (V97928)) (OPT L803-6-5 (V06725)) (OPT B30NW6K5 (V97928)) (OPT HL11VAZ6-5 (V73197)) (OPT HL11VAZ6-5 (V92215)) (OPT HL11VAZ6-5 (V97928)) (OPT L803-6K5 (V06725)) (OPT HL11V6-5 (V80539))	A,C,E ,N-Q	10
-704 705	HL12VAZ6-5 HL97DU6		DELETED ..COLLAR- (V73197) (SPEC BACC30AB6S) (OPT HL97DU6 (V92215)) (OPT HL97DU6 (V56878))	A,C,E ,N-Q	30

71-11-45

ILLUSTRATED PARTS LIST
 01.1 Page 1080Q
 Jun 01/95

FIG. & ITEM	PART NO.	AIRLINE PART NUMBER	NOMENCLATURE 1234567	EFF CODE	QTY PER ASSY
01-					
-707	HL1187DUW6		DELETED		
708	MS21140-0603P		..BOLT	A,C,E ,N-Q	6
-710	HL11VAZ6-3		DELETED		
711	BACR15CE3KE		..RIVET- (SIZE DETERMINE ON INST)	A,C,E ,N-Q	9
-713	HL11VAZ6-6		DELETED		
714	314T1210-77		..FILLER	A,N	1
-714A	314T1210-315		..FILLER	C,E,P ,Q	1
-716	BACS40R15C25F		DELETED		
717	314T1210-250		..FILLER	C,E,P ,Q	1
-719	HL97DU6		DELETED		
-722	BACB28AM05B023A		DELETED		
724	314T1241-6		..DRAIN ASSY-COMBUSTION CHAMBER (PRE SB 767-71-0042)	A,C,E ,N-Q	1
-725	314T1220-5		DELETED		
727	BACR15CE5D		..RIVET- (SIZE DETERMINE ON INST) (USED ON ITEMS 10J, 10L, 10M)	A,C,E ,N-Q	8
-727A	BACR15FT5KE4		..RIVET- (USED ON ITEMS 10G, 10H, 10K) -----*-----	A,N	8
728	314T3019-2		DELETED		
730	69-15763-1		...SEAL	A,C,E ,N-Q	1
731	AN960-416		DELETED		
734	H10-4BAC		DELETED		
-737	314T1230-1		..DOOR INSTL-PRESSURE RELIEF	A,C,E ,N-Q	1
-740	314T1230-2		..DOOR INSTL-PRESSURE RELIEF	B,D,F	1
-741	314T1230-5001		...DOOR INSTL- (REPLD BY ITEMS 741A, 741B)	A,C,E ,N-Q	1

71-11-45

 ILLUSTRATED PARTS LIST
 01.1 Page 1080R
 Jun 01/95

015T0109 015T0132
 015T0412 015T0437
 015T0540 315T1001
 314T1210

 **BOEING**
 COMPONENT
 MAINTENANCE MANUAL

FIG. & ITEM	PART NO.	AIRLINE PART NUMBER	NOMENCLATURE 1234567	EFF CODE	QTY PER ASSY
01- -741A	314T1230-5003		...DOOR INSTL- (REPLS ITEM 741) (REPLD BY ITEM 741B)	A,C,E ,N-Q	1
-741B	314T1230-5005		...DOOR INSTL- (REPLS ITEMS 741, 741A)	A,C,E ,N-Q	1
-742	314T1230-5002		...DOOR INSTL- (REPLD BY ITEMS 742A, 742B)	B,D,F	1
-742A	314T1230-5004		...DOOR INSTL- (REPLS ITEM 742) (REPLD BY ITEM 742B)	B,D,F	1
-742B	314T1230-5006		...DOOR INSTL- (REPLS ITEMS 742, 742A)	B,D,F	1
743	MS16562-9	PIN-SPR	A-F, N-Q	2
746	MS16562-10	PIN-SPR	A-F, N-Q	2
749	314T1230-3	DOOR ASSY- (USED ON ITEMS 741, 741A, 742, 742A)	A-F, N-Q	1
-749A	314T1230-23	DOOR ASSY- (USED ON ITEMS 741B, 742B)	A-F, N-Q	1

71-11-45

ILLUSTRATED PARTS LIST
 01.1 Page 1080S
 Jun 01/95

FIG. & ITEM	PART NO.	AIRLINE PART NUMBER	NOMENCLATURE 1234567	EFF CODE	QTY PER ASSY
01-751	BACS12ER06K8	SCREW- (V06710) (SPEC BACS12ER06K8) (OPT BACS12ER06K8 (V06725)) (OPT BACS12ER06K8 (V06950)) (OPT BACS12ER06K8 (V27624)) (OPT BACS12ER06K8 (V34252)) (OPT BACS12ER06K8 (V56878)) (OPT BACS12ER06K8 (V73197)) (OPT BACS12ER06K8 (V80539)) (OPT BACS12ER06K8 (V92215)) (OPT BACS12ER06K8 (V93907)) (OPT BACS12ER06K8 (V97928))	A-F, N-Q	8
754	AN960C6	WASHER	A-F, N-Q	8
757	314T3230-8	SPACER	A-F, N-Q	2
760	H10-06BAC	NUT- (V15653) (SPEC BACN10JC06) (OPT RMLH9075-62W (V72962)) (OPT T6S632J (V11815)) (OPT VN303A62 (V92215)) (OPT 96-62 (V80539)) (OPT BRH10A06 (OPT BRH10A62 (V52828)) (OPT NS202101-62 (V80539))	A-F, N-Q	8

71-11-45

015T0109 015T0132
 015T0412 015T0437
 015T0540 315T1001
 314T1210

 **BOEING**
 COMPONENT
 MAINTENANCE MANUAL

FIG. & ITEM	PART NO.	AIRLINE PART NUMBER	NOMENCLATURE 1234567	EFF CODE	QTY PER ASSY
01-763	H3018-102	LATCH- (V26390) (SPEC 60B90300-4)	A-F, N-Q	2
766	BACB30LH3-10	BOLT	A-F, N-Q	2
769	BACB30LH3-12	BOLT	A-F, N-Q	2
772	AN960C10	WASHER	A-F, N-Q	4
775	H01-3BAC	NUT- (V15653) (SPEC BACN10JC3CM) (OPT NS202101SE02 (V80539)) (OPT T6C1032JM (V11815)) (OPT VN303D02 (V92215)) (OPT 109LH9075-3W (V72962)) (OPT 97E02 (V80539))	A-F, N-Q	4
778	BACS40R09E16F		DELETED		
778A	BACS40R009D016F	SHIM	A-F, N-Q	2
781	314T1230-15	SPACER	A-F, N-Q	2
784	314T1230-13	SPACER	A-F, N-Q	2

71-11-45

ILLUSTRATED PARTS LIST
 01.1 Page 1080U
 Jun 01/95

FIG. & ITEM	PART NO.	AIRLINE PART NUMBER	NOMENCLATURE 1234567	EFF CODE	QTY PER ASSY
01-787	314T3231-1	FITTING-HINGE	A-F, N-Q	2
790	314T3230-24	WASHER- (OPT ITEM 790A)	A-F, N-Q	2
-790A	AN960KD416L	WASHER- (OPT ITEM 790)	A-F, N-Q	2
793	BACB30LH2-8	BOLT	A-F, N-Q	5
794	BACB30LH2-8	BOLT- (USED ON ITEM 749)	A-F, N-Q	4
-794A	BACB30LH2-10	BOLT- (USED ON ITEM 749A)	A-F, N-Q	4
796	AN960PD8		DELETED		
796A	AN960KD8	WASHER	A-F, N-Q	9
799	H01-08BAC	NUT- (V15653) (SPEC BACN10JC08CM) (OPT NS202101SE82 (V80539)) (OPT T6C832JM (V11815)) (OPT VN303D82 (V92215)) (OPT 109LH9075-82W (V72962)) (OPT 97E82 (V80539))	A-F, N-Q	9
802	314T1230-14	RETAINER-SEAL	A-F, N-Q	1
805	314T1230-6	SEAL	A-F, N-Q	1
808	314T1230-5	SPACER	A-F, N-Q	1
809	314T1230-22	PLATE-STOP (USED ON ITEM 749A)	A-F, N-Q	2
811	314T1236-1	PANEL	A-F, N-Q	1
811J	L8006-7	BOLT- (V06725) (SPEC BACB30MY6-7) (OPT 68833-6-7A (V56878)) (USED ON ITEMS 741B, 742B)	A-F, N-Q	2

71-11-45

 ILLUSTRATED PARTS LIST
 01.1 Page 1080V
 Jun 01/95

015T0109 015T0132
 015T0412 015T0437
 015T0540 315T1001
 314T1210

 **BOEING**
 COMPONENT
 MAINTENANCE MANUAL

FIG. & ITEM	PART NO.	AIRLINE PART NUMBER	NOMENCLATURE 1234567	EFF CODE	QTY PER ASSY
01-811M	AN960KD10	WASHER- (USED ON ITEMS 741B, 742B)	A-F, N-Q	2
811P	BACS18C8-4	SPACER- (USED ON ITEMS 741B, 742B)	A-F, N-Q	2
811S	H10-3BAC	NUT- (V15653) (SPEC BACN10JC3) (OPT NS202101-02 (V80539)) (OPT RMLH9075-3W (V72962)) (OPT T6S1032J (V71087)) (OPT VN303A02 (V92215)) (OPT 96-02 (V80539)) (OPT BRH10A3 (V52828)) (USED ON ITEMS 741B, 742B)	A-F, N-Q	2
811V	314T1230-21	STOP-RUBBER (MFD FROM BAC1521-521 X .31 IN. FIN F-25.01) (USED ON ITEMS 741B, 742B)	A-F, N-Q	2

71-11-45

ILLUSTRATED PARTS LIST
 01.1 Page 1080W
 Jun 01/95

FIG. & ITEM	PART NO.	AIRLINE PART NUMBER	NOMENCLATURE	EFF CODE	QTY PER ASSY
01-812	HL11VAZ5-4		1234567BOLT- (V56878) (SPEC BACB30NW5K4) (OPT B30NW5K4 (V97928)) (OPT HL11VAZ5-4 (V73197)) (OPT HL11VAZ5-4 (V92215)) (OPT HL11VAZ5-4 (V97928)) (OPT L803-5K4 (V06725)) (OPT HL11VAZ5-4 (V0PTK6)) (OPT HL11VAZ5-4 (V60516)) (USED ON ITEMS 741A, 742A)	A-F, N-Q	4
R -812A	HL11VAZ5-4	BOLT- (V56878) (SPEC BACB30NW5K4) (OPT B30NW5K4 (V97928)) (OPT HL11VAZ5-4 (V73197)) (OPT HL11VAZ5-4 (V92215)) (OPT HL11VAZ5-4 (V97928)) (OPT L803-5K4 (V06725)) (OPT HL11VAZ5-4 (V0PTK6)) (OPT HL11VAZ5-4 (V60516)) (USED ON ITEMS 741, 742) (POST SB 767-71-0020)	A-F, N-Q	4

71-11-45

 ILLUSTRATED PARTS LIST
 01.1 Page 1080X
 Jun 01/95

015T0109 015T0132
 015T0412 015T0437
 015T0540 315T1001
 314T1210

 **BOEING**
 COMPONENT
 MAINTENANCE MANUAL

FIG. & ITEM	PART NO.	AIRLINE PART NUMBER	NOMENCLATURE 1234567	EFF CODE	QTY PER ASSY
01-812G	HL97DU5	COLLAR- (V73197) (SPEC BACC30AB5S) (OPT HL97DU5 (V92215)) (OPT HL97DU5 (V56878)) (USED ON ITEMS 741A, 742A)	A-F, N-Q	4
R -812H	HL97DU5	COLLAR- (V73197) (SPEC BACC30AB5S) (OPT HL97DU5 (V92215)) (OPT HL97DU5 (V56878)) (USED ON ITEMS 741, 742) (POST SB 767-71-0020)	A-F, N-Q	4
812N	HL11VAZ5-4	BOLT- (V56878) (SPEC BACB30NW5K4) (OPT B30NW5K4 (V97928)) (OPT HL11VAZ5-4 (V73197)) (OPT HL11VAZ5-4 (V92215)) (OPT HL11VAZ5-4 (V97928)) (OPT L803-5K4 (V06725)) (OPT HL11VAZ5-4 (V0PTK6)) (OPT HL11VAZ5-4 (V60516)) (USED ON ITEMS 741B, 742B)	A-F, N-Q	2

71-11-45

ILLUSTRATED PARTS LIST
 01.1 Page 1080Y
 Jun 01/95

FIG. & ITEM	PART NO.	AIRLINE PART NUMBER	NOMENCLATURE 1234567	EFF CODE	QTY PER ASSY
01-812P	HL97DU5	COLLAR- (V73197) (SPEC BACC30AB5S) (OPT HL97DU5 (V92215)) (OPT HL97DU5 (V56878)) (USED ON ITEMS 741B, 742B)	A-F, N-Q	2
812R	HL11VAZ6-4	BOLT- (V56878) (SPEC BACB30NW6K4) (OPT HL11V6-4 (V92215)) (OPT HL11V6-4 (V97928)) (OPT L803-6-4 (V06725)) (OPT B30NW6K4 (V97928)) (OPT HL11VAZ6-4 (V73197)) (OPT HL11VAZ6-4 (V92215)) (OPT HL11VAZ6-4 (V97928)) (OPT L803-6K4 (V06725)) (OPT HL11V6-4 (V80539)) (USED ON ITEMS 741B, 742B)	A-F, N-Q	4
812S	HL97DU6	COLLAR- (V73197) (SPEC BACC30AB6S) (OPT HL97DU6 (V92215)) (OPT HL97DU6 (V56878)) (USED ON ITEMS 741B, 742B)	A-F, N-Q	4
813	314T1230-17	DOUBLER- (USED ON ITEMS 741A, 742A)	A-F, N-Q	1

71-11-45

ILLUSTRATED PARTS LIST
01.1 Page 1080Z
Jun 01/95

015T0109 015T0132
 015T0412 015T0437
 015T0540 315T1001
 314T1210

 **BOEING**
 COMPONENT
 MAINTENANCE MANUAL

FIG. & ITEM	PART NO.	AIRLINE PART NUMBER	NOMENCLATURE 1234567	EFF CODE	QTY PER ASSY
01-813G	314T1230-18	DOUBLER- (USED ON ITEMS 741A, 742A)	A-F, N-Q	1
R 813K	314T1230-18	DOUBLER- (USED ON ITEMS 741, 742) (POST SB 767-71-0020)	A-F, N-Q	2
813N	314T1230-19	BRACKET-STOP (USED ON ITEMS 741B, 742B)	A-F, N-Q	1
813R	314T1230-20	BRACKET-STOP (USED ON ITEMS 741B, 742B)	A-F, N-Q	1
814	BACB28AM04B015A	BUSHING	A-F, N-Q	2
814G	HL10VAZ5-3	BOLT- (V60516) (SPEC BACB30MY5K3) (OPT HL10VAZ5-3 (VOPTK6))	A-F, N-Q	4
814K	HL11VAZ5-3	BOLT- (V56878) (SPEC BACB30NW5K3) (OPT B30NW5K3 (V97928)) (OPT HL11VAZ5-3 (V73197)) (OPT HL11VAZ5-3 (V92215)) (OPT HL11VAZ5-3 (V97928)) (OPT L803-5K3 (V06725)) (OPT HL11VAZ5-3 (VOPTK6)) (OPT HL11VAZ5-3 (V60516))	A-F, N-Q	4
814N	HL97DU5	COLLAR- (V73197) (SPEC BACC30AB5S) (OPT HL97DU5 (V92215)) (OPT HL97DU5 (V56878))	A-F, N-Q	8

71-11-45

ILLUSTRATED PARTS LIST
 01.1 Page 1081
 Jun 01/95

FIG. & ITEM	PART NO.	AIRLINE PART NUMBER	NOMENCLATURE 1234567	EFF CODE	QTY PER ASSY
01-814R	BACR15CE5	RIVET- (SIZE DETERMINE ON INST)	A-F, N-Q	20
814U	HL11VAZ6-6	BOLT- (V56878) (SPEC BACB30NW6K6) (OPT B30NW6K6 (V97928)) (OPT HL11VAZ6-6 (V73197)) (OPT HL11VAZ6-6 (V92215)) (OPT HL11VAZ6-6 (V97928)) (OPT L803-6K6 (V06725))	A-F, N-Q	10
814X	HL97DU6	COLLAR- (V73197) (SPEC BACC30AB6S) (OPT HL97DU6 (V92215)) (OPT HL97DU6 (V56878))	A-F, N-Q	10
815	314T1230-7	INTERCOSTAL	A,C,E ,N-Q	1
-815A	314T1230-8	INTERCOSTAL	B,D,F	1
815G	314T1230-8	INTERCOSTAL	A,C,E ,N-Q	1
-815H	314T1230-7	INTERCOSTAL	B,D,F	1
815L	314T1230-11	SHIM	A-F, N-Q	10
815P	314T1230-12	SHIM	A-F, N-Q	10
816	314T3230-5	SPACER	A-F, N-Q	2
816J	314T1230-9	CLIP	A-F, N-Q	2
816L	314T1230-10	CLIP	A-F, N-Q	2
817	314T1237-1		DELETED		
817A	314T1237-501		..DRAIN ASSY-LP RECOUP ATTACHING PARTS	B,D,F	1
820	BACR15CE5D3		DELETED		
820A	BACR15CE5D		..RIVET- (SIZE DETERMINE ON INST)	B,D,F	9

71-11-45

 ILLUSTRATED PARTS LIST
 01.1 Page 1082
 Jun 01/95

015T0109 015T0132
 015T0412 015T0437
 015T0540 315T1001
 314T1210

 **BOEING**
 COMPONENT
 MAINTENANCE MANUAL

FIG. & ITEM	PART NO.	AIRLINE PART NUMBER	NOMENCLATURE 1234567	EFF CODE	QTY PER ASSY
01-823	HL12VAZ6-4		..BOLT- (V56878) (SPEC BACB30NX6K4) (OPT HL12VAZ6-4 (V73197)) (OPT HL12VAZ6-4 (V92215)) (OPT HL12VAZ6-4 (V97928)) (OPT L802-6K4 (V06725)) (OPT HL12-4 (V06725))	B,D,F	3
824	BACS40R11C48F		..SHIM	B,D,F	AR
826	HL1187DU6		..COLLAR- (V73197) (SPEC BACC30X6S) (OPT HL87DU6 (V73197)) (OPT HL87DU6 (V92215)) (OPT HL1187DU6 (V56878)) (OPT HL1187DU6 (V92215)) (OPT HL87DU6 (V56878))	B,D,F B,D,F	3
			-----*-----		
829	NAS6703U4		...BOLT	B,D,F	4
832	314T1237-14		...SCUPPER ASSY	B,D,F	1
835	314T1237-16		DELETED		
838	314T1237-15		...SPACER	B,D,F	1
841	314T1237-11		...EXHAUST ASSY	B,D,F	1
844	314T1237-5		DELETED		
844A	314T1237-503		...SUPPORT ASSY	B,D,F	1
847	MS20427M3-3	RIVET	B,D,F	8

71-11-45

ILLUSTRATED PARTS LIST
 01.1 Page 1082A
 Jun 01/95

FIG. & ITEM	PART NO.	AIRLINE PART NUMBER	NOMENCLATURE 1234567	EFF CODE	QTY PER ASSY
01-850	BRF200C3M	NUTPLATE- (V52828) (SPEC BACN10JR3CFM) (OPT F5001-3BAC (V15653)) (OPT NS103203SE02 (V80539)) (OPT T8092C1032 (V11815)) (OPT VN152D1-02 (V92215)) (OPT 109F9201-3 (V72962))	B,D,F	4
853	314T1235-1		..DUCT ASSY-PRECOOLER EXHAUST	B	1
-853A	314T1235-2		..DUCT ASSY-PRECOOLER EXHAUST	D,F	1
856	BACB30NU3K4		ATTACHING PARTS ..BOLT- (V08524) (SPEC BACB30NU3K4) (OPT BACB30NU3K4 (V56878)) (OPT BACB30NU3K4 (V73197)) (OPT BACB30NU3K4 (V80539)) (OPT BACB30NU3K4 (V92215))	B,D,F	21

71-11-45

ILLUSTRATED PARTS LIST
01.1 Page 1082B
Jun 01/95

015T0109 015T0132
 015T0412 015T0437
 015T0540 315T1001
 314T1210

 **BOEING**
 COMPONENT
 MAINTENANCE MANUAL

FIG. & ITEM	PART NO.	AIRLINE PART NUMBER	NOMENCLATURE 1234567	EFF CODE	QTY PER ASSY
01-859	BACB30NU3K5		..BOLT- (V08524) (SPEC BACB30NU3K5) (OPT BACB30NU3K5 (V56878)) (OPT BACB30NU3K5 (V73197)) (OPT BACB30NU3K5 (V80539)) (OPT BACB30NU3K5 (V92215))	B,D,F	10
861	BACB30NN3K4		..BOLT	B,D,F	7
862	AN960PD10		..WASHER	B,D,F	31
865	H01-3BAC		..NUT- (V15653) (SPEC BACN10JC3CM) (OPT NS202101SE02 (V80539)) (OPT T6C1032JM (V11815)) (OPT VN303D02 (V92215)) (OPT 109LH9075-3W (V72962)) (OPT 97E02 (V80539)) -----*	B,D,F	31
871	NAS6704HU2		...BOLT	B,D,F	6
874	AN960C416L		...WASHER	B,D,F	6
877	AN960C416L		...WASHER	B,D,F	AR
880	314T1240-1		...NOZZLE ASSY- (REPLD BY ITEM 880A)	B,D,F	1

71-11-45

ILLUSTRATED PARTS LIST
 01.1 Page 1082C
 Jun 01/95

FIG. & ITEM	PART NO.	AIRLINE PART NUMBER	NOMENCLATURE 1234567	EFF CODE	QTY PER ASSY
01- -880A	314T1240-11		...NOZZLE ASSY- (REPLS ITEM 880)	B,D,F	1
883	MS20995C32		DELETED		
886	314T3804-1	LUG-ATTACHMENT	B,D,F	6
-889	314T1238-1		DELETED		
-889A	314T1239-1		...DUCT ASSY	B,D,F	1
890	MS20615M5		DELETED		
890A	MS20615-5M	RIVET- (SIZE DETERMINE ON INST)	B,D,F	30
890G	AN960C8L	WASHER	B,D,F	30
891	314T1239-16	ANGLE	B,D,F	1
891G	314T1239-5	ANGLE	B,D,F	1
892	MS20427M5	RIVET	B,D,F	2
892G	MS20427M4	RIVET	B,D,F	11
893	314T1239-12	STRAP	B,D,F	1
893G	314TU239-13		DELETED		
893H	314T1239-13	SPACER	B,D,F	1
894	MS20427M4	RIVET	B,D,F	11
894G	314T1239-14	FAIRING	B,D,F	1
895	314T1239-6	SPACER	B,D,F	1
895G	MS20427M3	RIVET	B,D,F	14
896	BRF200C3	NUTPLATE- (V52828) (SPEC BACN10JR3CF) (OPT F5031-3BAC (V15653)) (OPT NS103203S02 (V80539)) (OPT T8093C1032 (V11815)) (OPT VN152B1-02 (V92215)) (OPT 101F9201-3 (V72962))	B,D,F	7
898	BACB30LL3U5		...BOLT- (PRE SB 767-71-0004)	B	8
-898A	BACB30LH3U3		...BOLT- (POST SB 767-71-0004)	D,F	8
900	AN960C10L		...WASHER	B,D,F	8

71-11-45

 ILLUSTRATED PARTS LIST
 01.1 Page 1082D
 Jun 01/95

015T0109 015T0132
 015T0412 015T0437
 015T0540 315T1001
 314T1210

 **BOEING**
 COMPONENT
 MAINTENANCE MANUAL

FIG. & ITEM	PART NO.	AIRLINE PART NUMBER	NOMENCLATURE 1234567	EFF CODE	QTY PER ASSY
01-902	H01-3BAC		...NUT- (V15653) (SPEC BACN10JC3CM) (OPT NS202101SE02 (V80539)) (OPT T6C1032JM (V11815)) (OPT VN303D02 (V92215)) (OPT 109LH9075-3W (V72962)) (OPT 97E02 (V80539))	B,D,F	8
904	312T1003-1		...FLANGE-SEAL CONTACT (PRE SB 767-71-0004)	B	1
905	314T1331-1		...RECEPTACLE ASSY-OUTLET (POST SB 767-71-0004)	D,F	1
906	BACR15BA3AD		..RIVET- (SIZE DETERMINE ON INST)	A-F, N-Q	8
908	MS27253-2		..PLATE	A-F, N-Q	1
911	BAC27TTR0041		..MARKER-ALUMINUM FOIL (USED ON ITEMS 14, 14C, 14D, 14E, 14G, 17M, 17P, 17Q, 17R, 17T)	A-F, N-Q	1

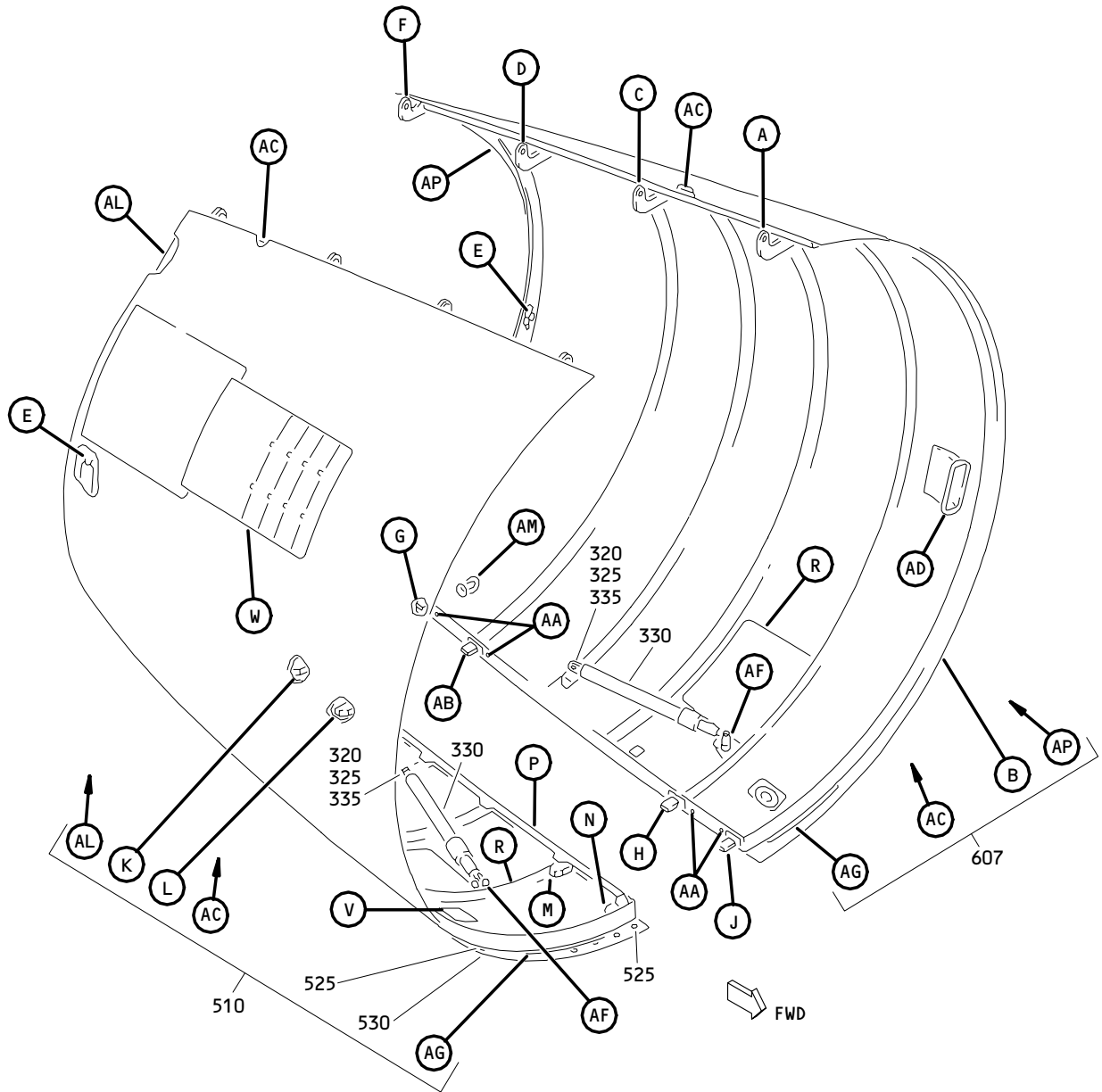
- *[1] P/N'S 314T1210-165, 314T1210-167, AND 314T1210-169
- *[2] USE THIS SHIM WITH P/N'S 314T1216-1, 314T1216-2, 314T1216-5,
314T1216-6, 314T1216-15, 314T1216-16
- *[3] USE THIS SHIM WITH P/N'S 314T1216-19, 314T1216-20

71-11-45

ILLUSTRATED PARTS LIST
 01.1 Page 1082E
 Jun 01/95

015T0109 015T0132
015T0412 015T0437
015T0540 315T1001
314T1210

BOEING
COMPONENT
MAINTENANCE MANUAL

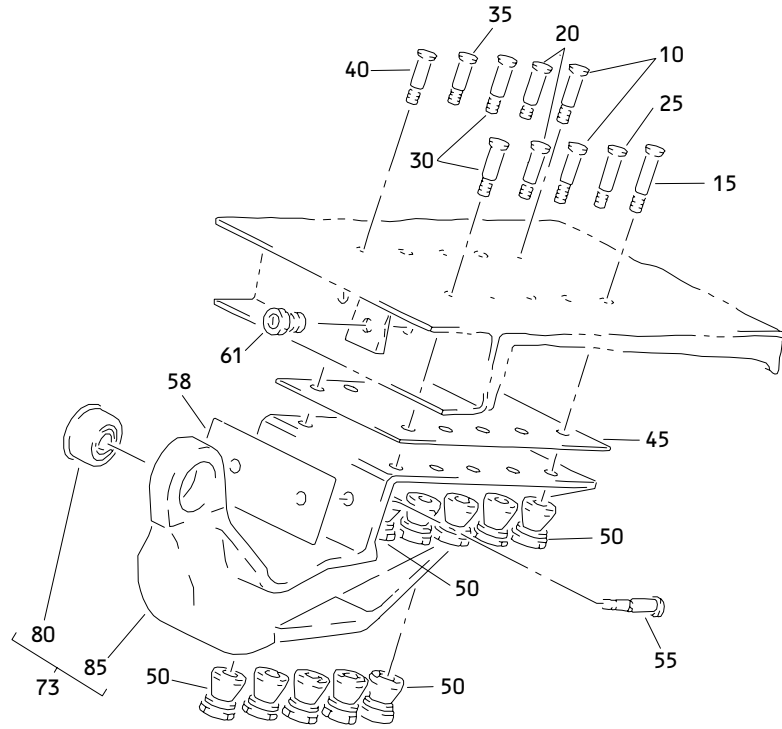


Core Cowl Assembly
Figure 2 (Sheet 1)

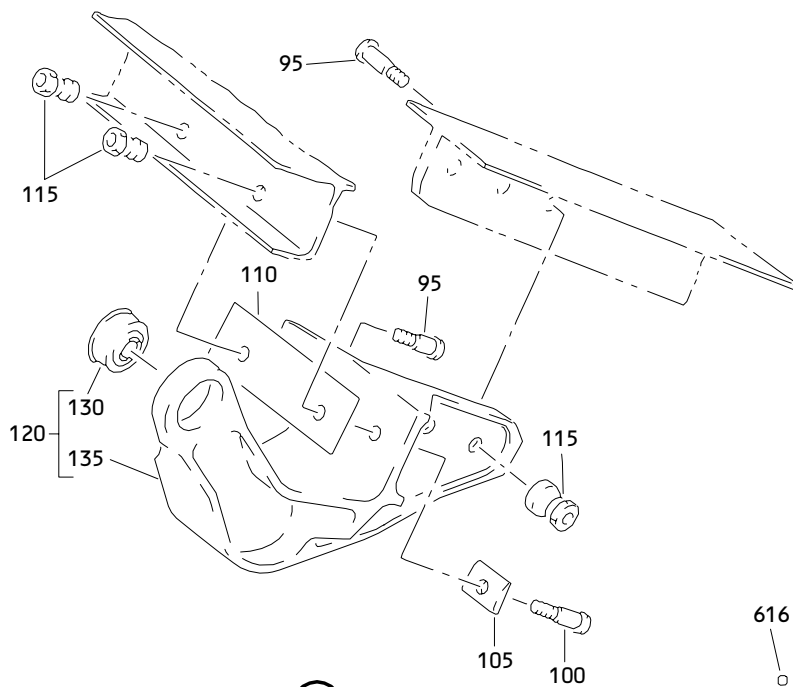
71-11-45

ILLUSTRATED PARTS LIST
01.1 Page 1082G
Jun 01/95

776322



(A)



(C)



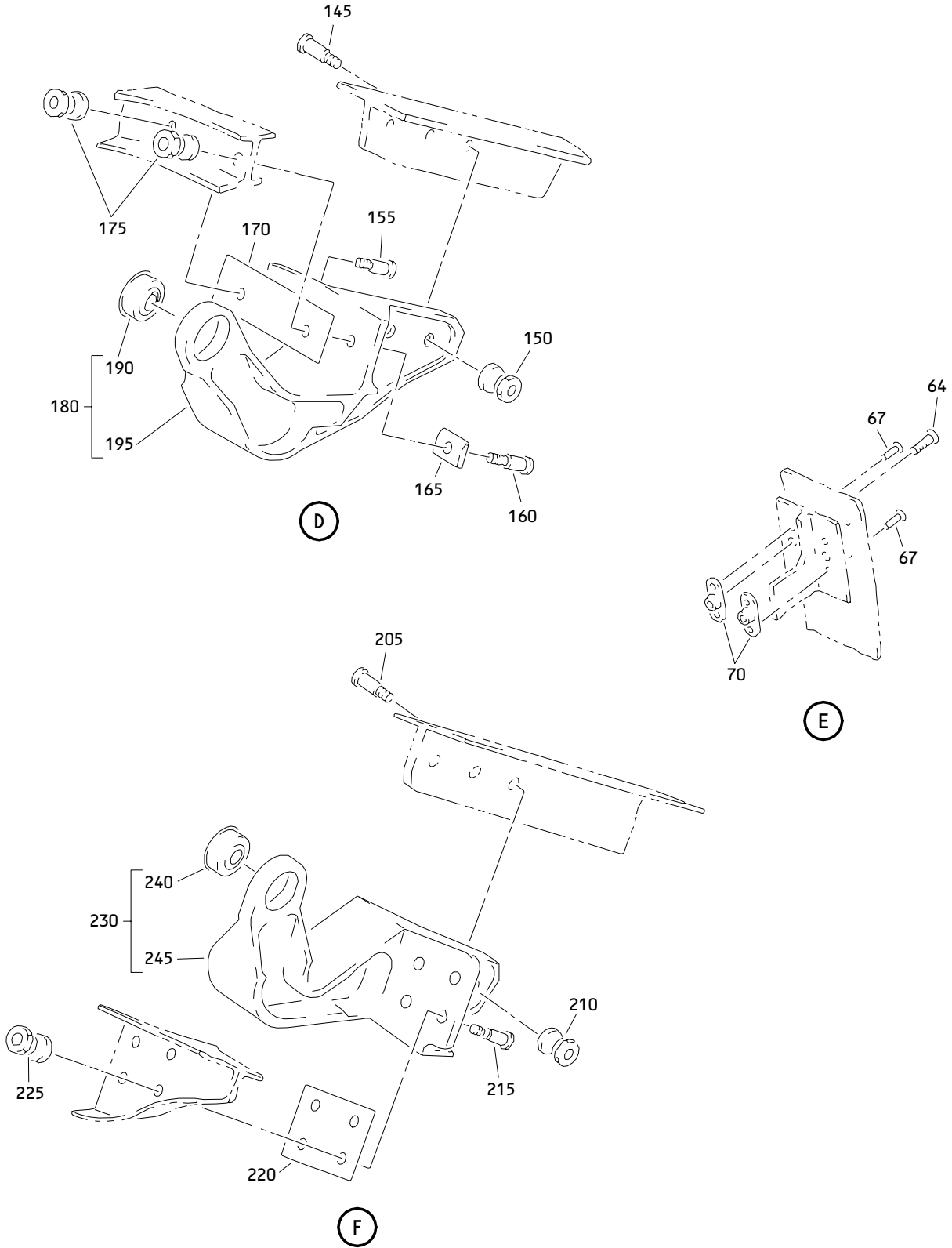
(B)

Core Cowl Assembly
 Figure 2 (Sheet 2)

71-11-45

015T0109 015T0132
015T0412 015T0437
015T0540 315T1001
314T1210

BOEING
COMPONENT
MAINTENANCE MANUAL

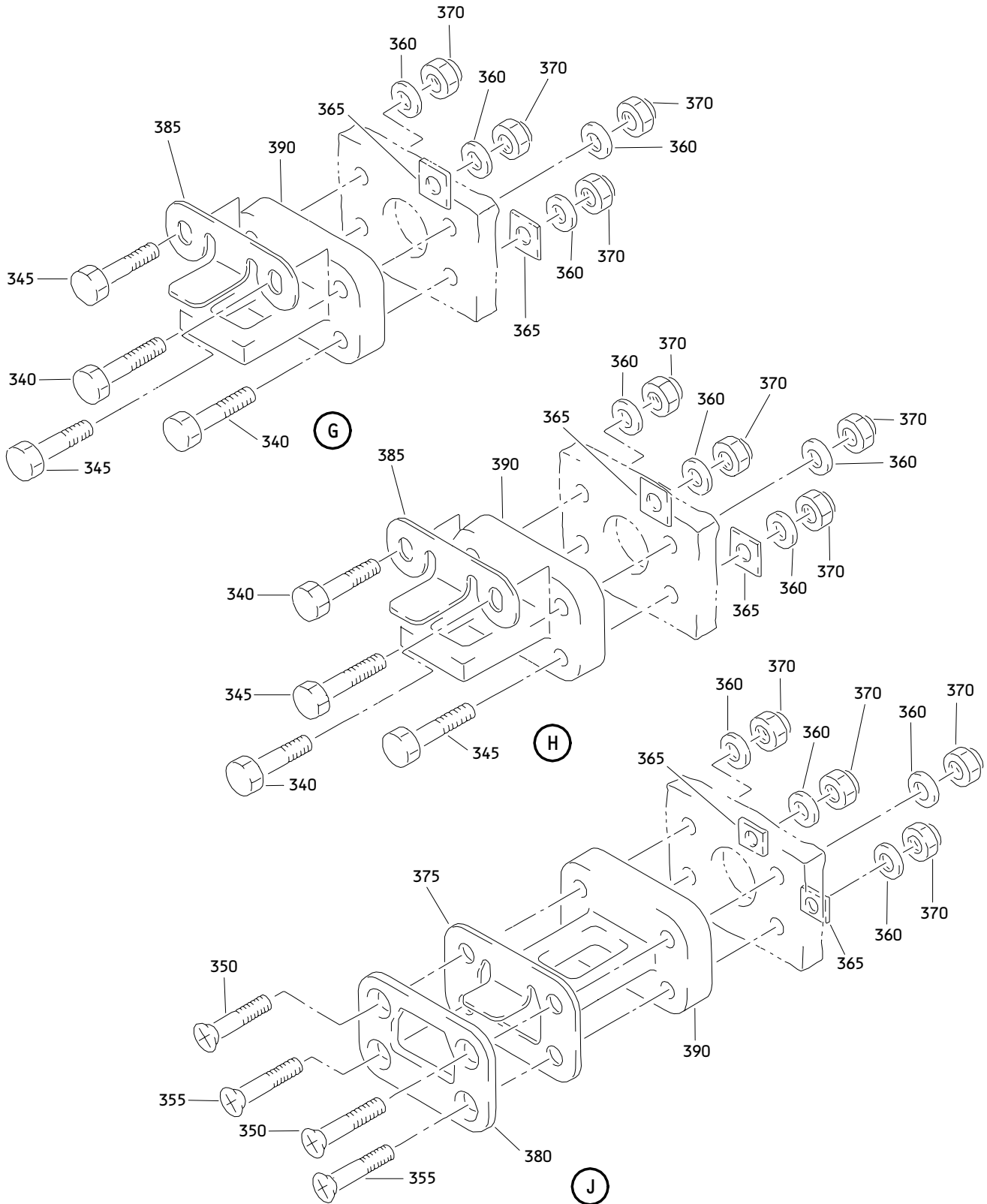


Core Cowl Assembly
Figure 2 (Sheet 3)

71-11-45

ILLUSTRATED PARTS LIST
01.1 Page 1082I
Jun 01/95

776414



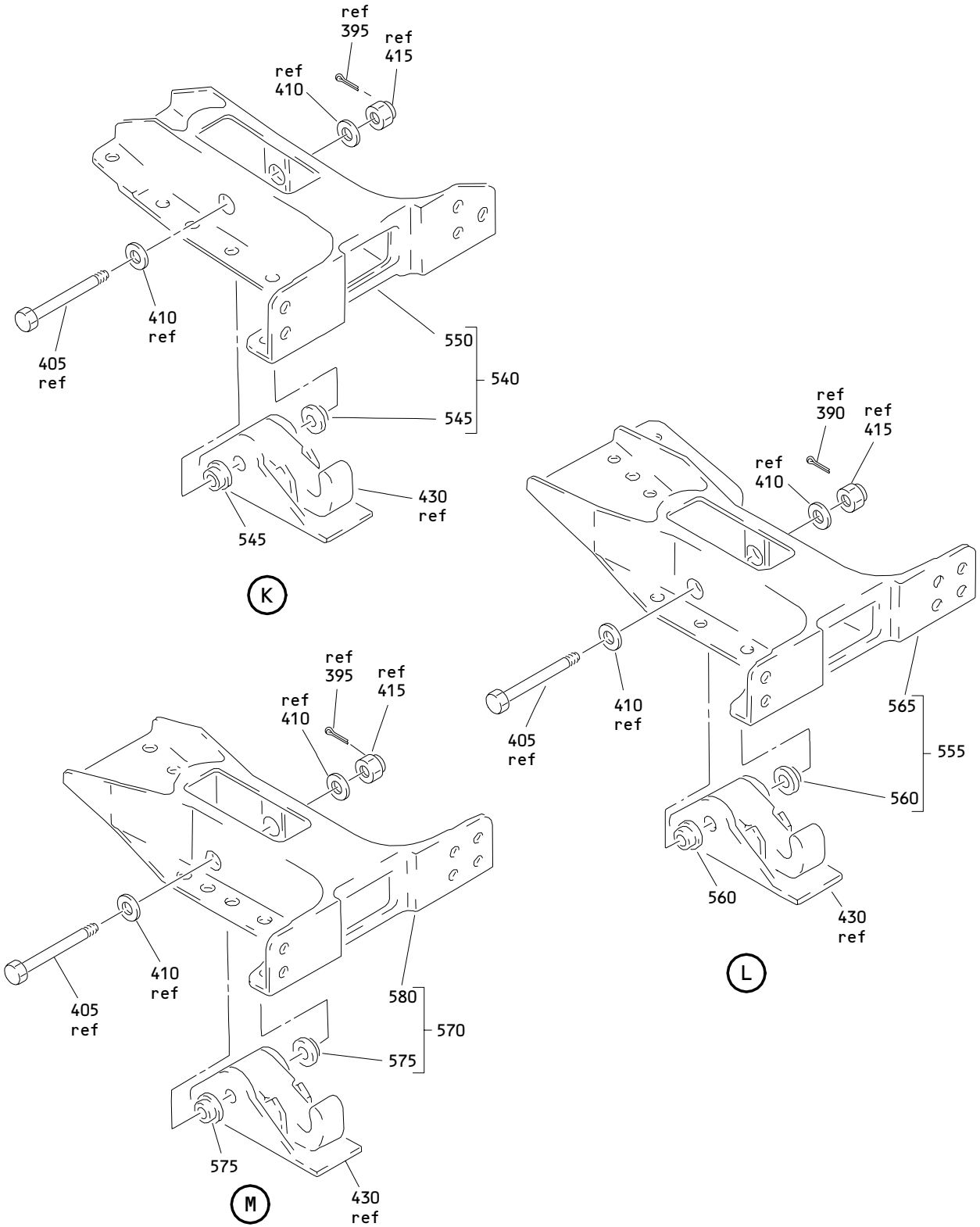
**Core Cowl Assembly
 Figure 2 (Sheet 4)**

71-11-45

ILLUSTRATED PARTS LIST
 01.1 Page 1082J
 Jun 01/95

015T0109 015T0132
 015T0412 015T0437
 015T0540 315T1001
 314T1210

BOEING
 COMPONENT
 MAINTENANCE MANUAL

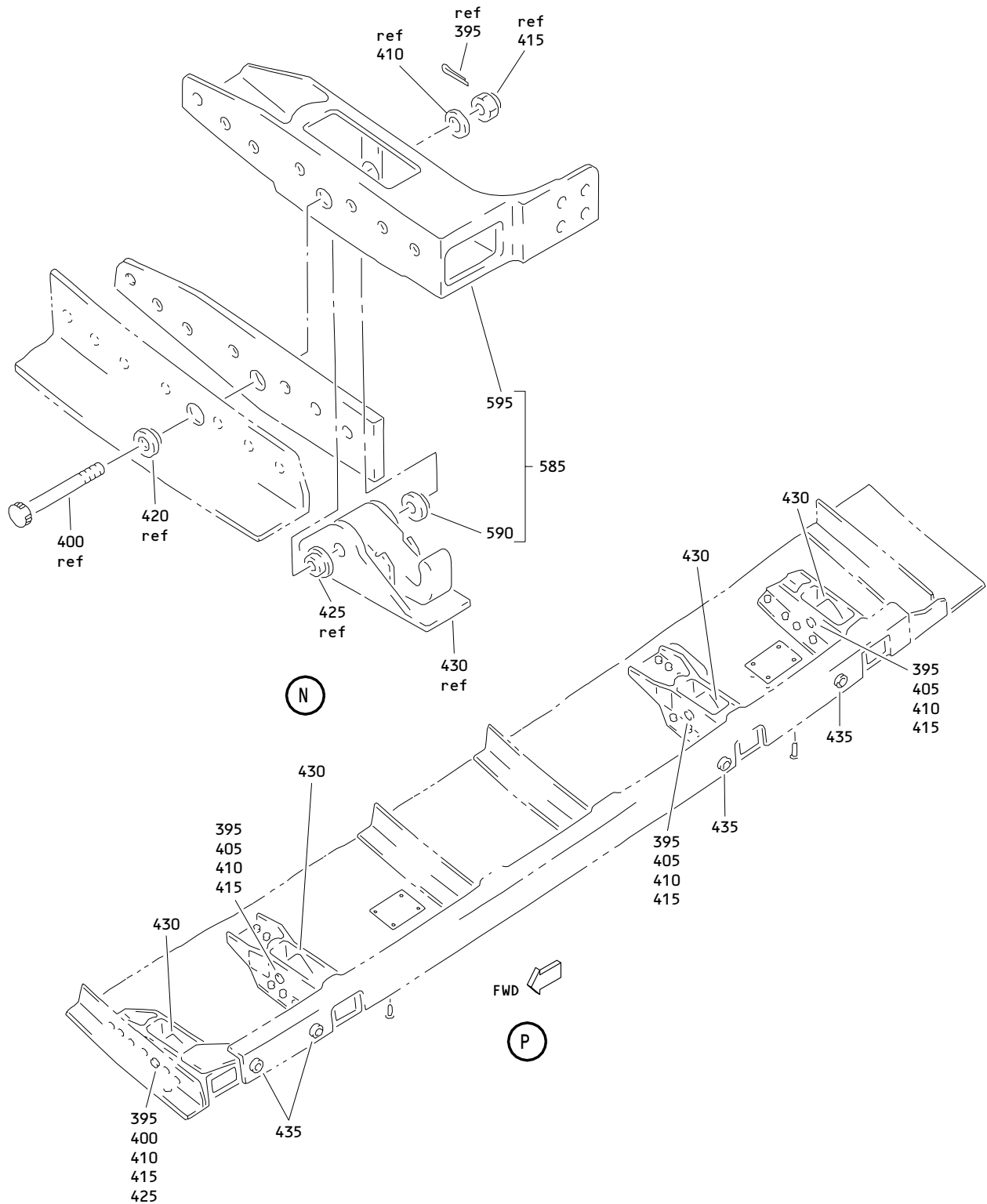


Core Cowl Assembly
 Figure 2 (Sheet 5)

71-11-45

ILLUSTRATED PARTS LIST
 01.1 Page 1082K
 Jun 01/95

776416



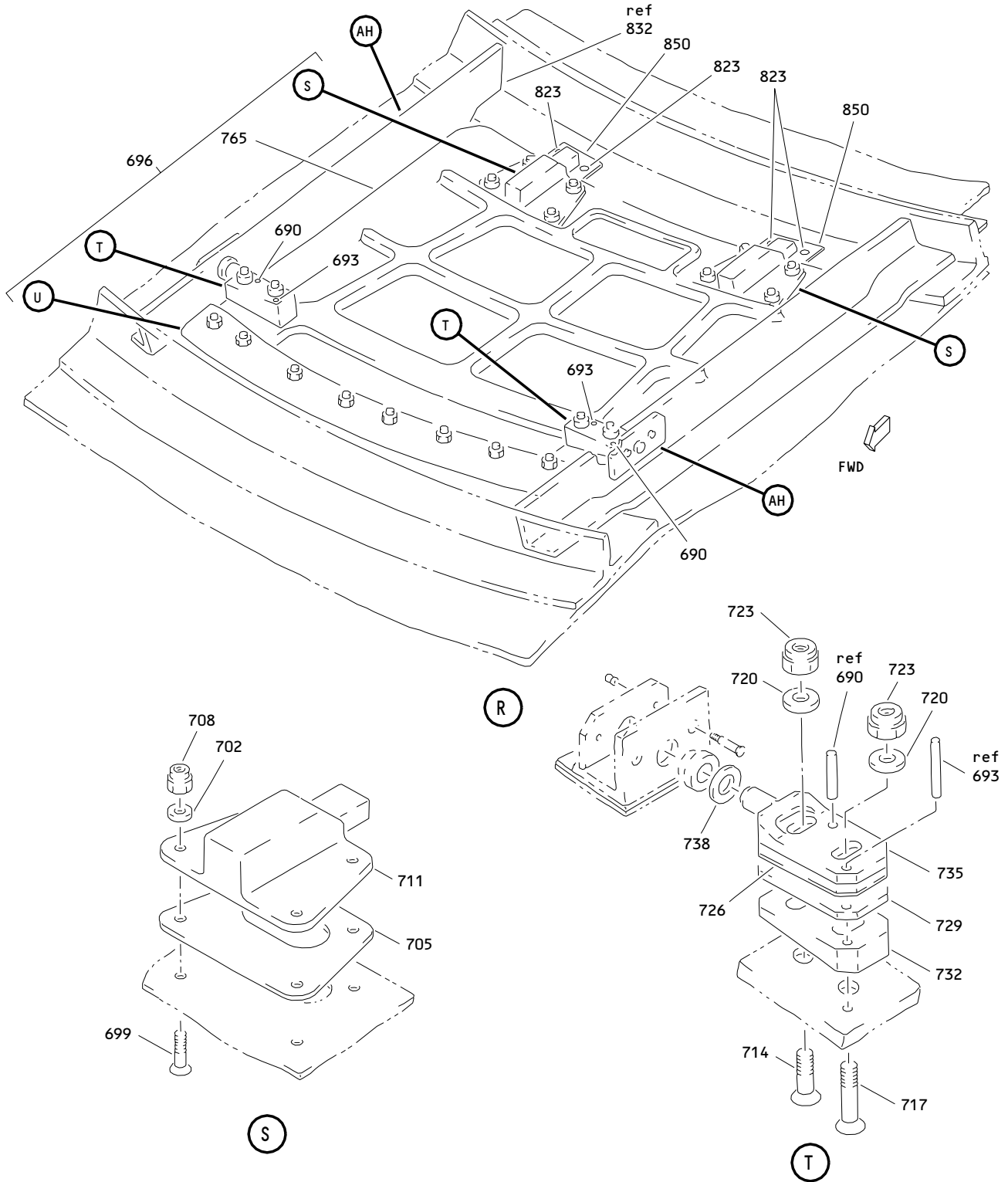
Core Cowl Assembly
 Figure 2 (Sheet 6)

71-11-45

ILLUSTRATED PARTS LIST
 01.1 Page 1082L
 Jun 01/95

015T0109 015T0132
 015T0412 015T0437
 015T0540 315T1001
 314T1210

BOEING
 COMPONENT
 MAINTENANCE MANUAL

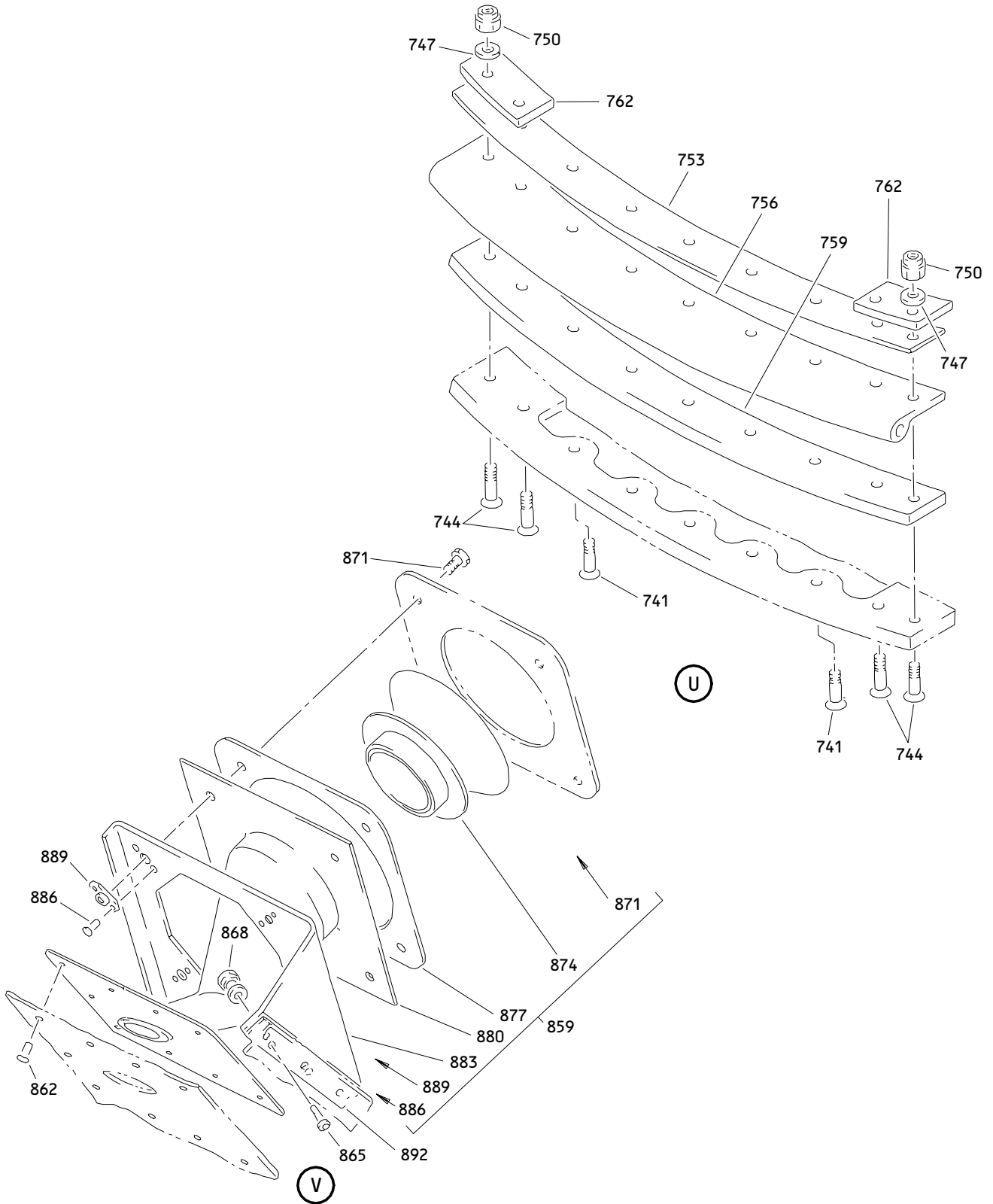


Core Cowl Assembly
 Figure 2 (Sheet 7)

71-11-45

ILLUSTRATED PARTS LIST
 01.1 Page 1082M
 Jun 01/95

776508



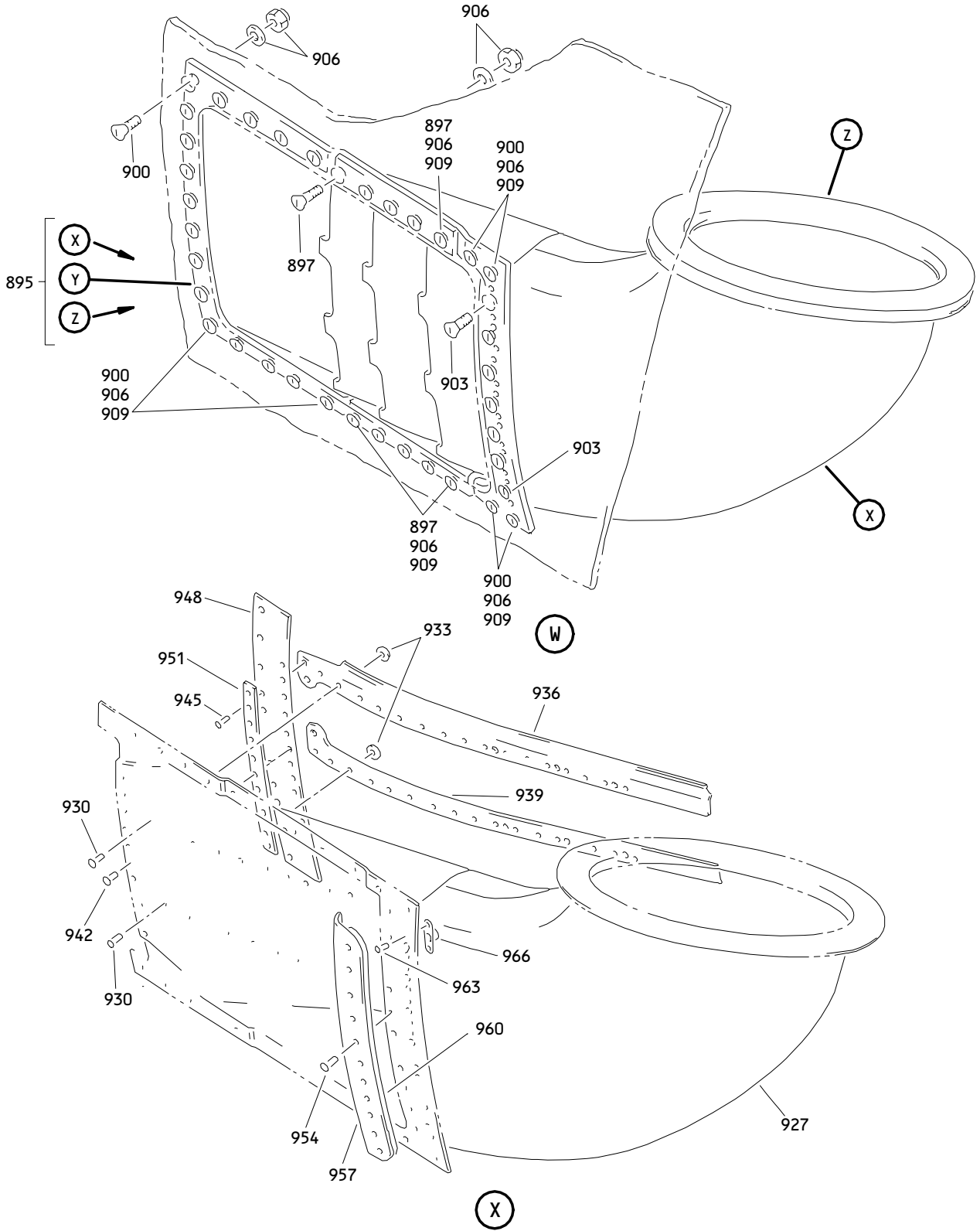
Core Cowl Assembly
 Figure 2 (Sheet 8)

71-11-45

ILLUSTRATED PARTS LIST
 01.1 Page 1082N
 Jun 01/95

015T0109 015T0132
 015T0412 015T0437
 015T0540 315T1001
 314T1210

BOEING
 COMPONENT
 MAINTENANCE MANUAL

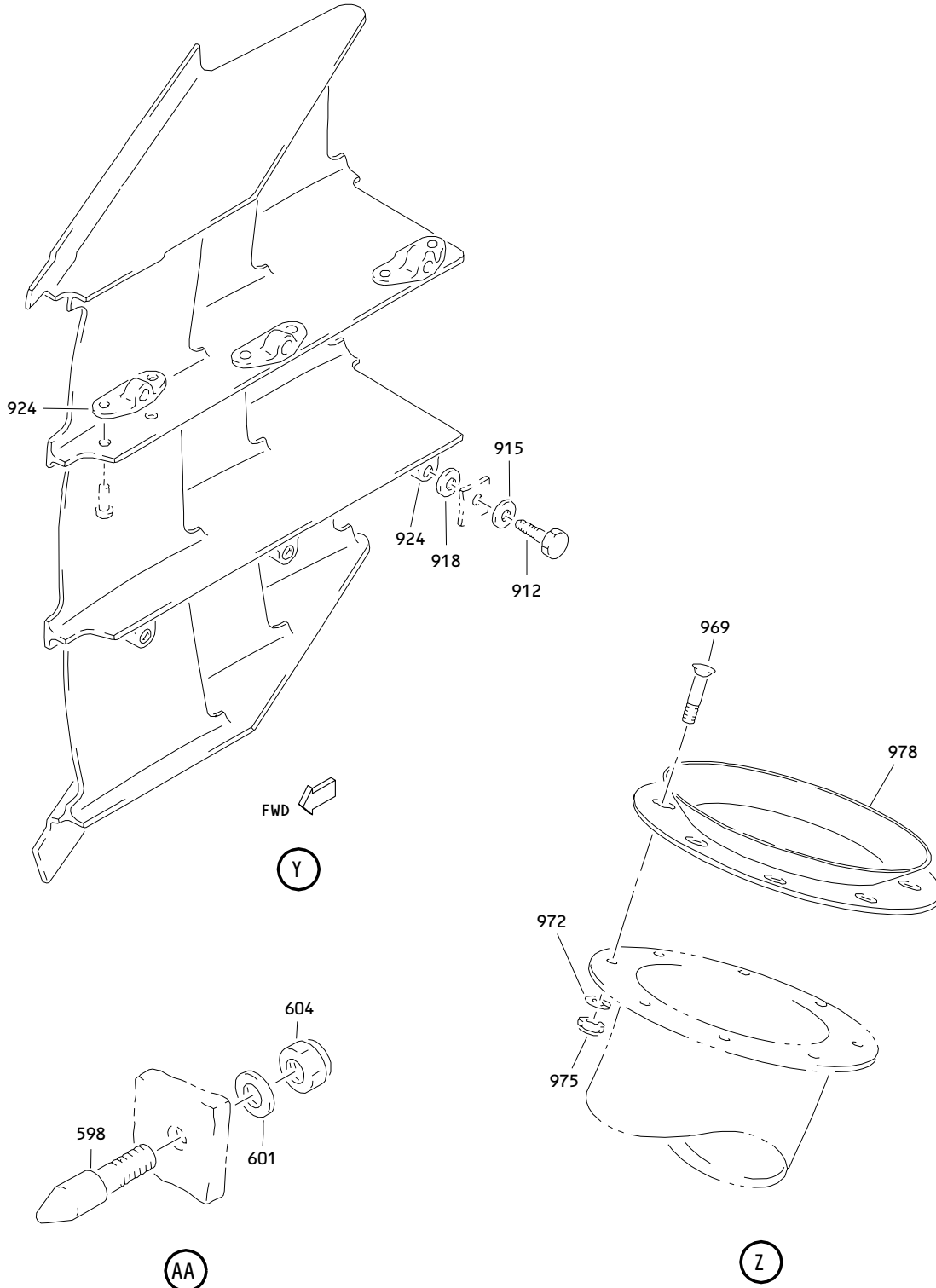


Core Cowl Assembly
 Figure 2 (Sheet 9)

71-11-45

ILLUSTRATED PARTS LIST
 01.1 Page 10820
 Jun 01/95

776513



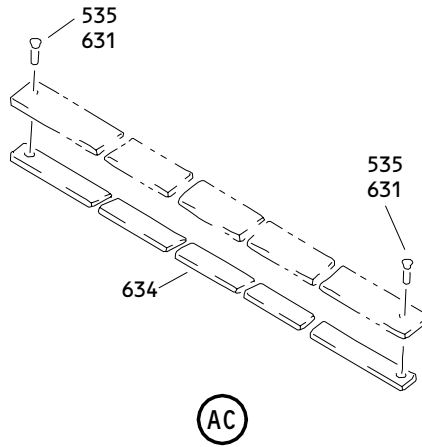
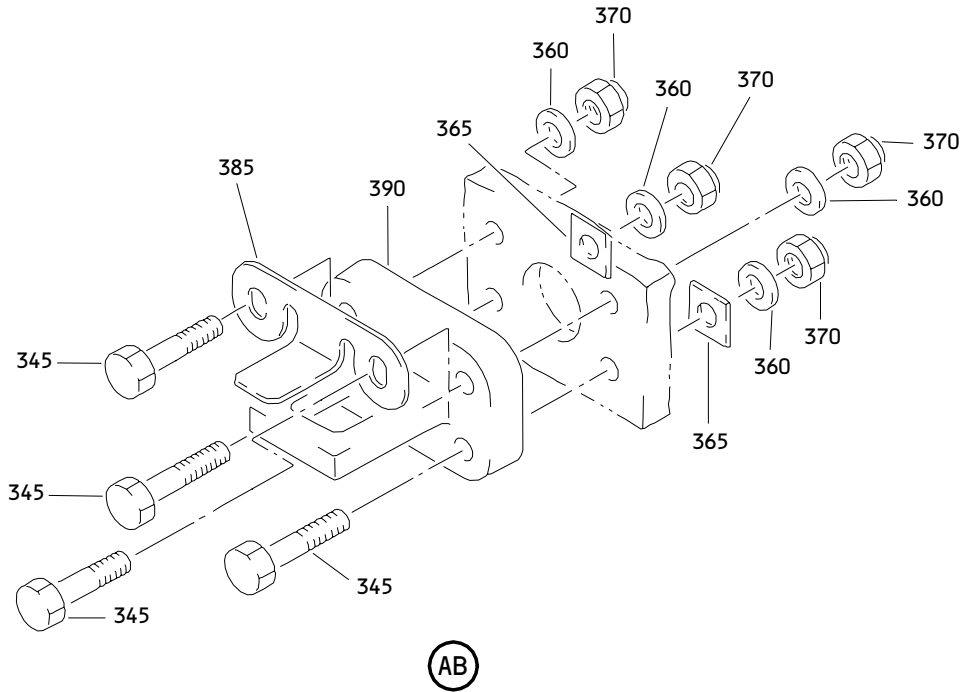
Core Cowl Assembly
 Figure 2 (Sheet 10)

71-11-45

ILLUSTRATED PARTS LIST
 01.1 Page 1082P
 Jun 01/95

015T0109 015T0132
015T0412 015T0437
015T0540 315T1001
314T1210

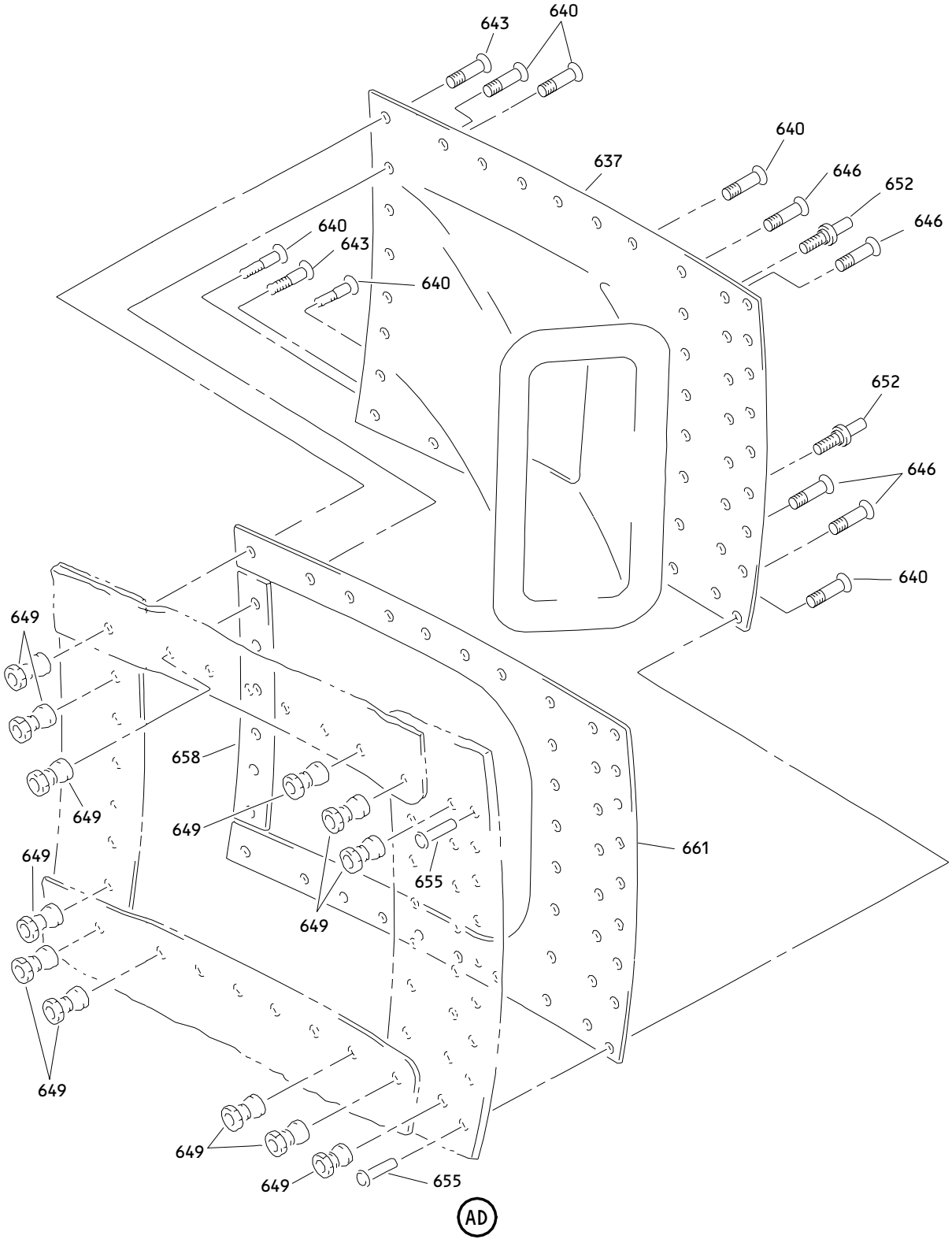
BOEING
COMPONENT
MAINTENANCE MANUAL



Core Cowl Assembly
Figure 2 (Sheet 11)

71-11-45

ILLUSTRATED PARTS LIST
01.1 Page 1082Q
Jun 01/95



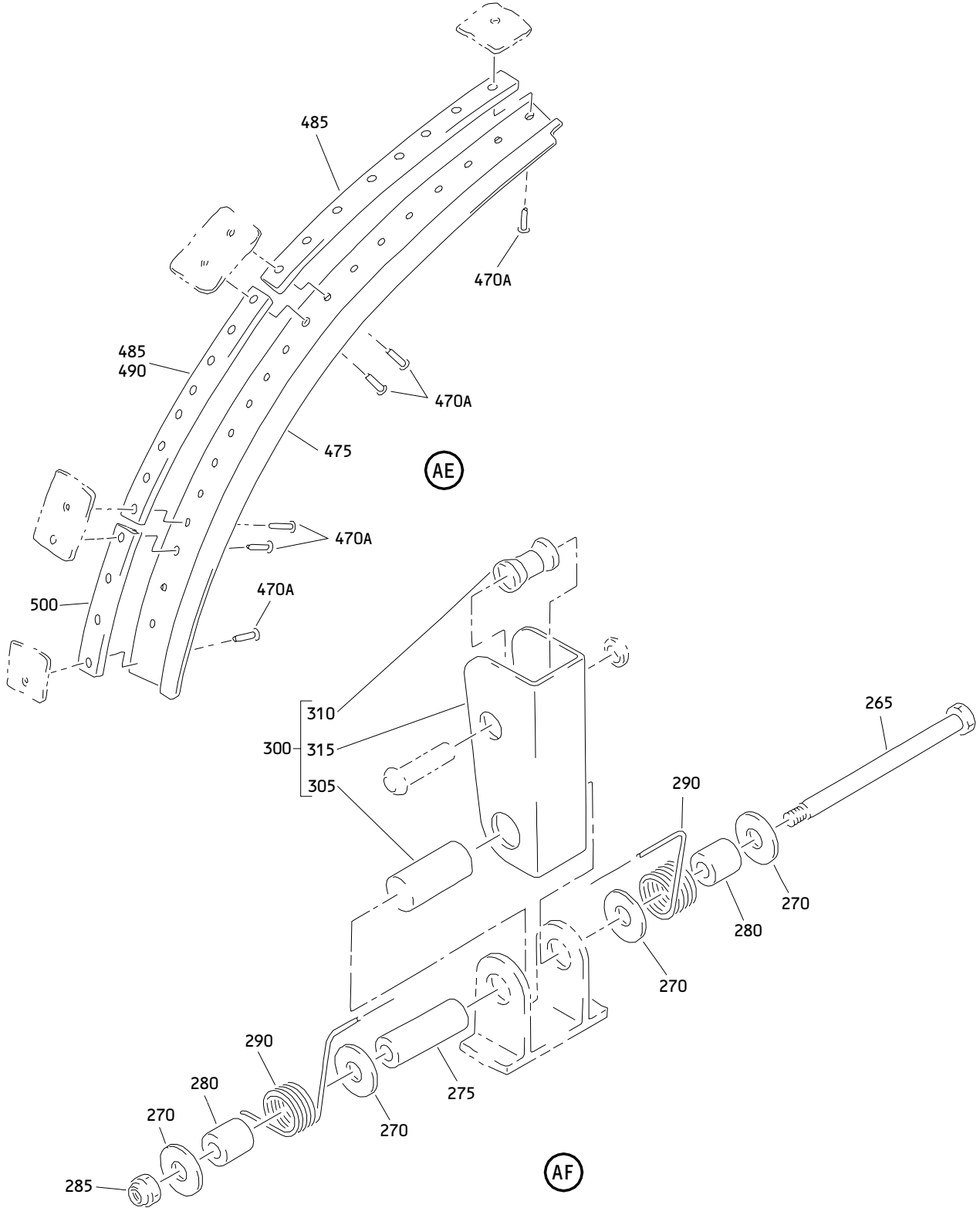
Core Cowl Assembly
 Figure 2 (Sheet 12)

71-11-45

ILLUSTRATED PARTS LIST
 01.1 Page 1082R
 Jun 01/95

015T0109 015T0132
015T0412 015T0437
015T0540 315T1001
314T1210

BOEING
COMPONENT
MAINTENANCE MANUAL

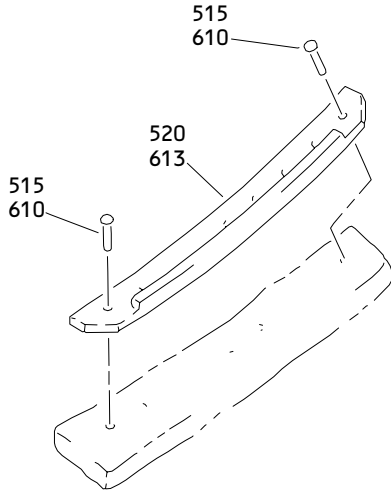


Core Cowl Assembly
Figure 2 (Sheet 13)

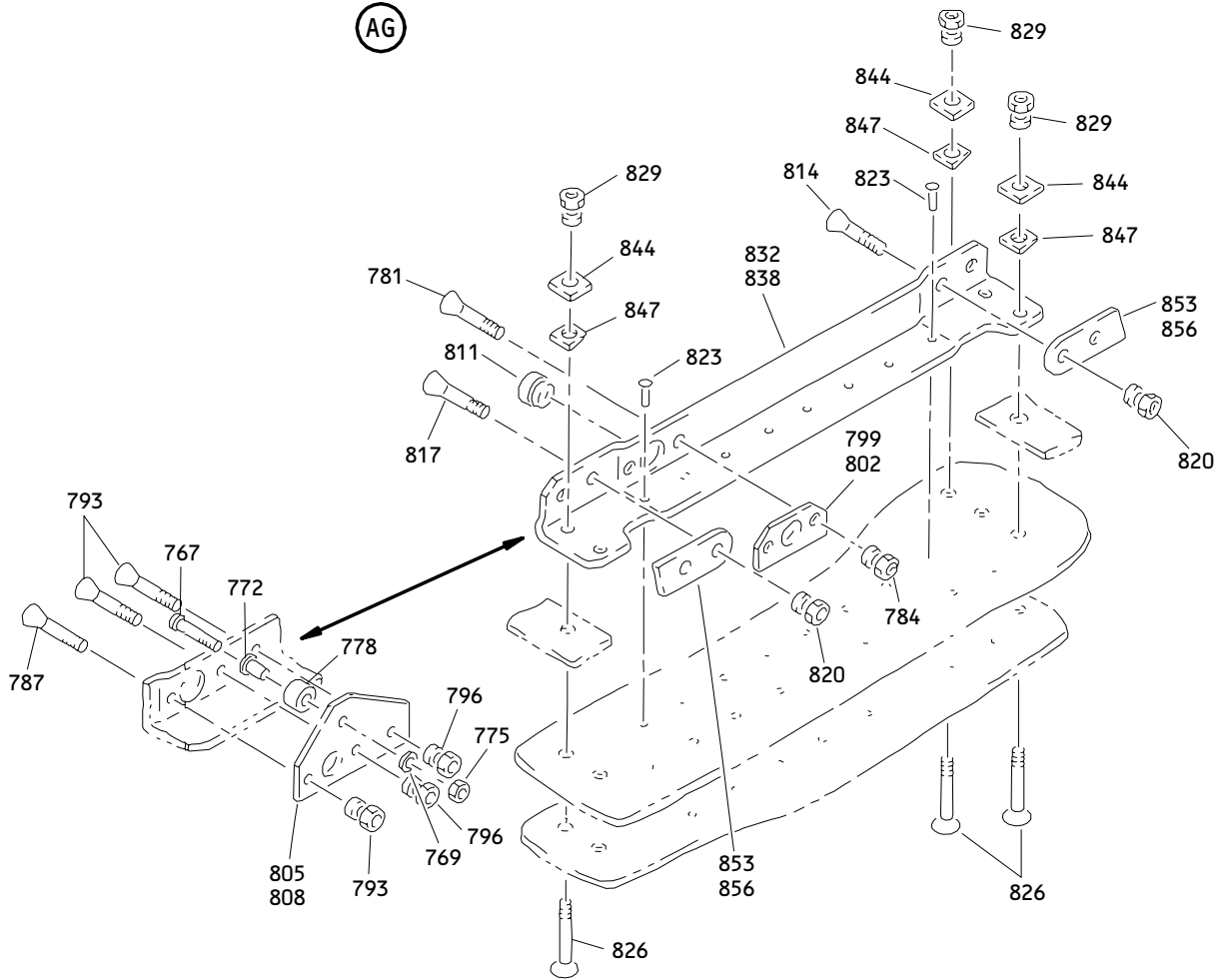
71-11-45

ILLUSTRATED PARTS LIST
01.1 Page 1082S
Jun 01/95

776511



(AG)



(AH)

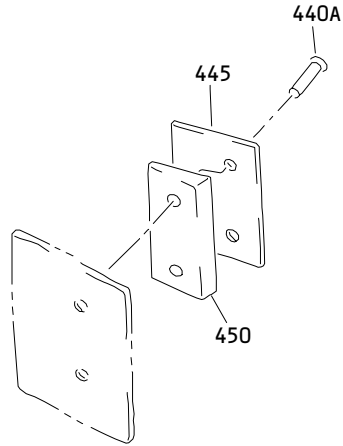
Core Cowl Assembly
 Figure 2 (Sheet 14)

71-11-45

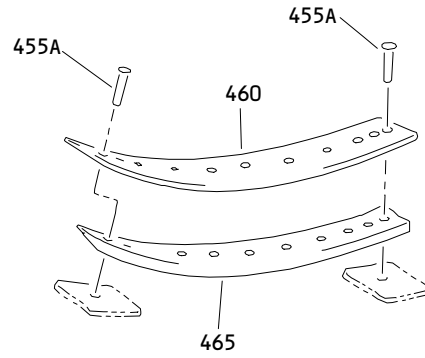
ILLUSTRATED PARTS LIST
 01.1 Page 1082T
 Jun 01/95

015T0109 015T0132
 015T0412 015T0437
 015T0540 315T1001
 314T1210

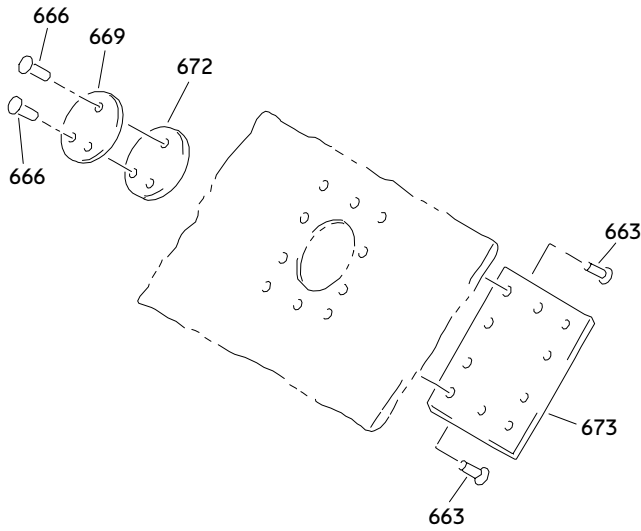
BOEING
 COMPONENT
 MAINTENANCE MANUAL



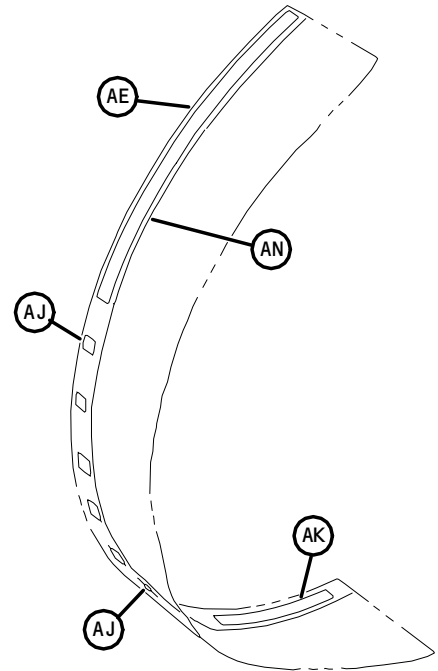
(AJ)



(AK)



(AM)



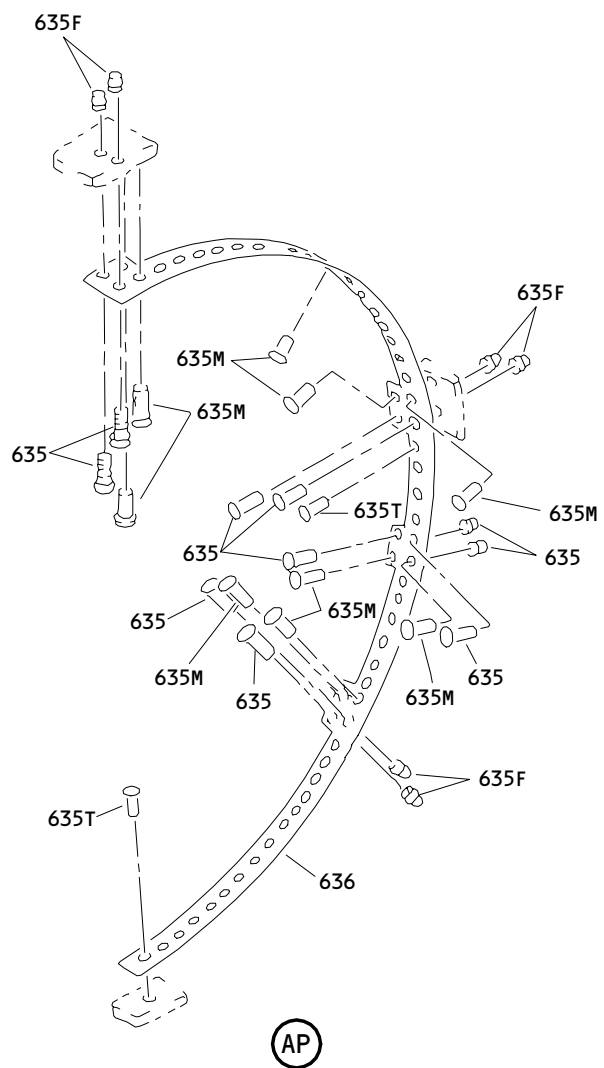
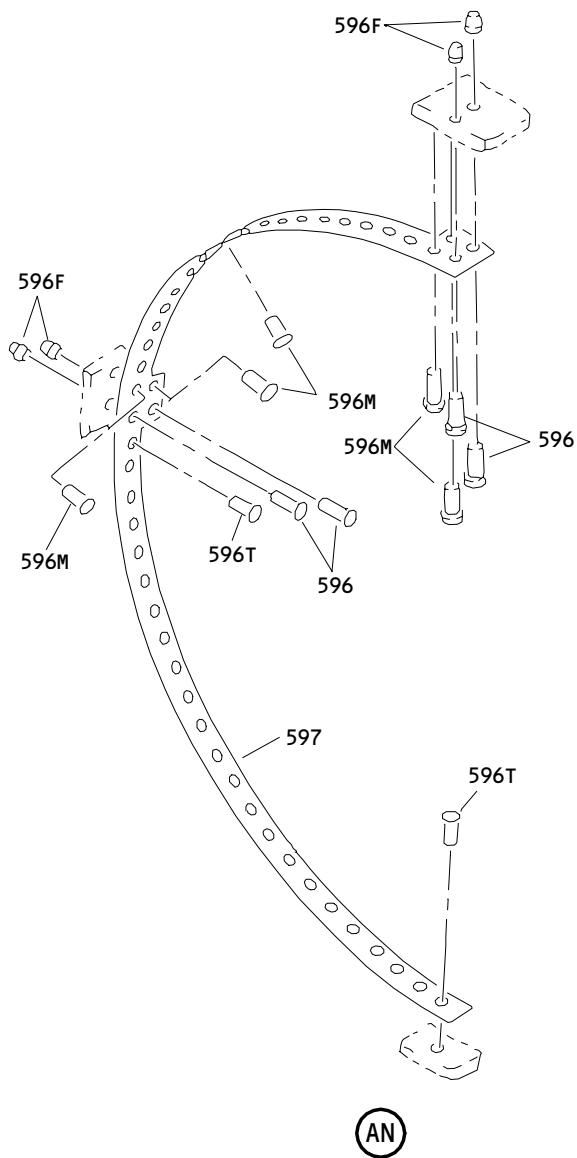
(AL)

Core Cowl Assembly
 Figure 2 (Sheet 15)

71-11-45

ILLUSTRATED PARTS LIST
 01.1 Page 1082U
 Jun 01/95

776512



Core Cowl Assembly
 Figure 2 (Sheet 16)

71-11-45

ILLUSTRATED PARTS LIST
 01.1 Page 1082V
 Jun 01/95

015T0109 015T0132
 015T0412 015T0437
 015T0540 315T1001
 314T1210

 **BOEING**
 COMPONENT
 MAINTENANCE MANUAL

FIG. & ITEM	PART NO.	AIRLINE PART NUMBER	NOMENCLATURE 1234567	EFF CODE	QTY PER ASSY
02- -1	314T1210-409		COWL ASSY-CORE (LH) (LIMITED) (PRE SB 767-54-0038) (PRE SB 767-71-0047) (PRE SB 767-71-0028)	G	RF
-1A	314T1210-415		COWL ASSY-CORE (REWORK)(LH) (PRE SB 767-71-0047) (POST SB 767-71-0042) (PRE SB 767-54-0038) (PRE SB 767-71-0028)	J	RF
-1B	314T1210-431		COWL ASSY-CORE (LH) (POST SB 767-54-0038) (PRE SB 767-71-0028)	L	RF
-1C	314T1210-409		DELETED		
-1D	015T0437-51		COWL ASSY-CORE (LH) (LIMITED) (POST SB 767-71-0047) (PRE SB 767-71-0067)	S	RF
-1E	015T0437-52		COWL ASSY-CORE (LH) (POST SB 767-71-0047) (PRE SB 767-71-0067)	T	RF
-5	314T1210-408		COWL ASSY-CORE (RH) (PRE SB 767-54-0038) (PRE SB 767-71-0028)	H	RF
-5A	314T1210-416		COWL ASSY-CORE (REWORK)(RH) (POST SB 767-71-0042) (PRE SB 767-54-0038) (PRE SB 767-71-0028)	K	RF
-5B	314T1210-432		COWL ASSY-CORE (RH) (POST SB 767-54-0038) (PRE SB 767-71-0028)	M	RF

71-11-45

ILLUSTRATED PARTS LIST
 01.1 Page 1082W
 Jun 01/95

FIG. & ITEM	PART NO.	AIRLINE PART NUMBER	NOMENCLATURE 1234567	EFF CODE	QTY PER ASSY
02-10	HL11VAZ6-13		.BOLT- (V56878) (SPEC BACB30NW6K13) (OPT B30NW6K13 (V97928)) (OPT HL11VAZ6-13 (V73197)) (OPT HL11VAZ6-13 (V92215)) (OPT HL11VAZ6-13 (V97928)) (OPT L803-6K13 (V06725)) (OPT HL11VAZ6-13 (V0PTK6)) (OPT HL11VAZ6-13 (V60516))	G-M,S ,T	2
15	HL11VAZ6-15		.BOLT- (V56878) (SPEC BACB30NW6K15) (OPT B30NW6K15 (V97928)) (OPT HL11VAZ6-15 (V73197)) (OPT HL11VAZ6-15 (V92215)) (OPT HL11VAZ6-15 (V97928)) (OPT L803-6K15 (V06725)) (OPT HL11VAZ6-15 (V0PTK6)) (OPT HL11VAZ6-15 (V60516))	G-M,S ,T	1

71-11-45

015T0109 015T0132
 015T0412 015T0437
 015T0540 315T1001
 314T1210

 **BOEING**
 COMPONENT
 MAINTENANCE MANUAL

FIG. & ITEM	PART NO.	AIRLINE PART NUMBER	NOMENCLATURE 1234567	EFF CODE	QTY PER ASSY
02-20	HL11VAZ6-12		.BOLT- (V56878) (SPEC BACB30NW6K12) (OPT B30NW6K12 (V97928)) (OPT HL11VAZ6-12 (V73197)) (OPT HL11VAZ6-12 (V92215)) (OPT HL11VAZ6-12 (V97928)) (OPT L803-6K12 (V06725)) (OPT HL11VAZ6-12 (V0PTK6)) (OPT HL11VAZ6-12 (V60516))	G-M,S ,T	2
25	HL11VAZ6-14		.BOLT- (V56878) (SPEC BACB30NW6K14) (OPT B30NW6K14 (V97928)) (OPT HL11VAZ6-14 (V73197)) (OPT HL11VAZ6-14 (V92215)) (OPT HL11VAZ6-14 (V97928)) (OPT L803-6K14 (V06725)) (OPT HL11VAZ6-14 (V0PTK6)) (OPT HL11VAZ6-14 (V60516))	G-M,S ,T	1

71-11-45

ILLUSTRATED PARTS LIST
 01.1 Page 1082Y
 Jun 01/95

FIG. & ITEM	PART NO.	AIRLINE PART NUMBER	NOMENCLATURE 1234567	EFF CODE	QTY PER ASSY
02-30	HL11VAZ6-11		.BOLT- (V56878) (SPEC BACB30NW6K11) (OPT B30NW6K11 (V97928)) (OPT HL11VAZ6-11 (V73197)) (OPT HL11VAZ6-11 (V92215)) (OPT HL11VAZ6-11 (V97928)) (OPT L803-6K11 (V06725)) (OPT HL11VAZ6-11 (V0PTK6)) (OPT HL11VAZ6-11 (V60516))	G-M,S ,T	2
35	HL11VAZ6-10		.BOLT- (V56878) (SPEC BACB30NW6K10) (OPT B30NW6K10 (V97928)) (OPT HL11VAZ6-10 (V73197)) (OPT HL11VAZ6-10 (V92215)) (OPT HL11VAZ6-10 (V97928)) (OPT L803-6K10 (V06725)) (OPT HL11VAZ6-10 (V0PTK6)) (OPT HL11VAZ6-10 (V60516))	G-M,S ,T	1

71-11-45

015T0109 015T0132
 015T0412 015T0437
 015T0540 315T1001
 314T1210

 **BOEING**
 COMPONENT
 MAINTENANCE MANUAL

FIG. & ITEM	PART NO.	AIRLINE PART NUMBER	NOMENCLATURE 1234567	EFF CODE	QTY PER ASSY
02-40	HL11VAZ6-9		.BOLT- (V56878) (SPEC BACB30NW6K9) (OPT B30NW6K9 (V97928)) (OPT HL11VAZ6-9 (V73197)) (OPT HL11VAZ6-9 (V92215)) (OPT HL11VAZ6-9 (V97928)) (OPT L803-6K9 (V06725))	G-M,S ,T	1
45	BACS40R29B54F		.SHIM	G-M,S ,T	1
50	HL82-6APBW		.COLLAR- (V73197) (SPEC BACC30AG6) (OPT HL82-6APBW (V92215)) (OPT HL82-6APBW (V56878))	G-M,S ,T	10
55	HL12VAZ10-9		.BOLT- (V56878) (SPEC BACB30NX10K9) (OPT HL12VAZ10-9 (V73197)) (OPT HL12VAZ10-9 (V92215)) (OPT HL12VAZ10-9 (V97928)) (OPT L802-10K9 (V06725)) (OPT HL12VAZ10-9 (V0PTK6)) (OPT HL12VAZ10-9 (V60516))	G-M,S ,T	2

71-11-45

ILLUSTRATED PARTS LIST
 01.1 Page 1083
 Jun 01/95

FIG. & ITEM	PART NO.	AIRLINE PART NUMBER	NOMENCLATURE 1234567	EFF CODE	QTY PER ASSY
02-58	BACS40R12B29F		.SHIM	G-M,S ,T	1
61	HL1187DUW10		.COLLAR- (V73197) (SPEC BACC30X10SW) (OPT HL87DUW10 (V73197)) (OPT HL87DUW10 (V92215)) (OPT HL1187DUW10 (V56878)) (OPT HL1187DUW10 (V92215)) (OPT HL87DUW10 (V56878))	G-M,S ,T	2
64	BACB30NN3K3		.BOLT	G-M,S ,T	4
67	BACR15CE3KE		.RIVET- (SIZE DETERMINE ON INST)	G-M,S ,T	8
70	109F9224-3		.NUTPLATE- (V72962) (SPEC BACN10JT3CM) (OPT F1967-01-3 (V15653))	G-M,S ,T	4
73	314T1213-1		.HINGE ASSY	G,J,L ,S,T	1
-76	314T1213-2		.HINGE ASSY	H,K,M	1
80	P20660		..BEARING- (V57606) (SPEC S302T001-300A) (OPT VTBO4520 (V06710)) (OPT AMB7-110 (V50294))	G-M,S ,T	1

71-11-45

 ILLUSTRATED PARTS LIST
 01.1 Page 1084
 Jun 01/95

015T0109 015T0132
 015T0412 015T0437
 015T0540 315T1001
 314T1210

 **BOEING**
 COMPONENT
 MAINTENANCE MANUAL

FIG. & ITEM	PART NO.	AIRLINE PART NUMBER	NOMENCLATURE 1234567	EFF CODE	QTY PER ASSY
02-85	314T1213-3		..FITTING	G,J,L ,S,T	1
-90 95	314T1213-4 HL12VAZ10-6		..FITTING .BOLT- (V56878) (SPEC BACB30NX10K6) (OPT HL12VAZ10-6 (V73197)) (OPT HL12VAZ10-6 (V92215)) (OPT HL12VAZ10-6 (V97928)) (OPT L802-10K6 (V06725)) (OPT HL12VAZ10-6 (V0PTK6)) (OPT HL12VAZ10-6 (V60516))	H,K,M G-M,S ,T	1 4
100	HL12VAZ10-9		.BOLT- (V56878) (SPEC BACB30NX10K9) (OPT HL12VAZ10-9 (V73197)) (OPT HL12VAZ10-9 (V92215)) (OPT HL12VAZ10-9 (V97928)) (OPT L802-10K9 (V06725)) (OPT HL12VAZ10-9 (V0PTK6)) (OPT HL12VAZ10-9 (V60516))	G-M,S ,T	1
105	314T1210-108		.BLOCK	G-M,S ,T	1
110	BACS40R14B35F		.SHIM	G-M,S ,T	1

71-11-45

ILLUSTRATED PARTS LIST
 01.1 Page 1084A
 Jun 01/95

FIG. & ITEM	PART NO.	AIRLINE PART NUMBER	NOMENCLATURE 1234567	EFF CODE	QTY PER ASSY
02-115	HL1187DUW10		.COLLAR- (V73197) (SPEC BACC30X10SW) (OPT HL87DUW10 (V73197)) (OPT HL87DUW10 (V92215)) (OPT HL1187DUW10 (V56878)) (OPT HL1187DUW10 (V92215)) (OPT HL87DUW10 (V56878))	G-M,S ,T	5
120	314T1214-1		.HINGE ASSY	G,J,L ,S,T	1
-125	314T1214-2		.HINGE ASSY	H,K,M	1
130	P20660		..BEARING- (V57606) (SPEC S302T001-300A) (OPT VTBO4520 (V06710)) (OPT AMB7-110 (V50294))	G-M,S ,T	1
135	314T1214-3		..FITTING	G,J,L ,S,T	1
-140	314T1214-4		..FITTING	H,K,M	1
145	HL12VAZ10-6		.BOLT- (V56878) (SPEC BACB30NX10K6) (OPT HL12VAZ10-6 (V73197)) (OPT HL12VAZ10-6 (V92215)) (OPT HL12VAZ10-6 (V97928)) (OPT L802-10K6 (V06725)) (OPT HL12VAZ10-6 (V0PTK6)) (OPT HL12VAZ10-6 (V60516))	G-M,S ,T	3

71-11-45

 ILLUSTRATED PARTS LIST
 01.1 Page 1084B
 Jun 01/95

015T0109 015T0132
 015T0412 015T0437
 015T0540 315T1001
 314T1210

 **BOEING**
 COMPONENT
 MAINTENANCE MANUAL

FIG. & ITEM	PART NO.	AIRLINE PART NUMBER	NOMENCLATURE 1234567	EFF CODE	QTY PER ASSY
02-150	HL1187DUW10		.COLLAR- (V73197) (SPEC BACC30X10SW) (OPT HL87DUW10 (V73197)) (OPT HL87DUW10 (V92215)) (OPT HL1187DUW10 (V56878)) (OPT HL1187DUW10 (V92215)) (OPT HL87DUW10 (V56878))	G-M,S ,T	3
155	HL12VAZ8-5		.BOLT- (V56878) (SPEC BACB30NX8K5) (OPT HL12VAZ8-5 (V73197)) (OPT HL12VAZ8-5 (V92215)) (OPT HL12VAZ8-5 (V97928)) (OPT L802-8K5 (V06725)) (OPT HL12VAZ8-5 (V08524))	G-M,S ,T	1
160	HL12VAZ8-9		.BOLT- (V56878) (SPEC BACB30NX8K9) (OPT HL12VAZ8-9 (V73197)) (OPT HL12VAZ8-9 (V92215)) (OPT HL12VAZ8-9 (V97928)) (OPT L802-8K9 (V06725)) (OPT HL12VAZ8-9 (V08524))	G-M,S ,T	1
165	314T1210-108		.BLOCK	G-M,S ,T	1
170	BACS40R14B35F		.SHIM	G-M,S ,T	1

71-11-45

ILLUSTRATED PARTS LIST
 01.1 Page 1084C
 Jun 01/95

FIG. & ITEM	PART NO.	AIRLINE PART NUMBER	NOMENCLATURE 1234567	EFF CODE	QTY PER ASSY
02-175	HL1187DUW8		.COLLAR- (V73197) (SPEC BACC30X8SW) (OPT HL87DUW8 (V73197)) (OPT HL87DUW8 (V92215)) (OPT HL1187DUW8 (V56878)) (OPT HL1187DUW8 (V92215)) (OPT HL87DUW8 (V56878))	G-M,S ,T	2
180	314T1215-1		.HINGE ASSY	G,J,L ,S,T	1
-185	314T1215-2		.HINGE ASSY	H,K,M	1
190	P20660		..BEARING- (V57606) (SPEC S302T001-300A) (OPT VTBO4520 (V06710)) (OPT AMB7-110 (V50294))	G-M,S ,T	1
195	314T1215-3		..FITTING	G,J,L ,S,T	1
-200	314T1215-4		..FITTING	H,K,M	1
205	HL12VAZ8-5		.BOLT- (V56878) (SPEC BACB30NX8K5) (OPT HL12VAZ8-5 (V73197)) (OPT HL12VAZ8-5 (V92215)) (OPT HL12VAZ8-5 (V97928)) (OPT L802-8K5 (V06725)) (OPT HL12VAZ8-5 (V08524))	G-M,S ,T	3

71-11-45

 ILLUSTRATED PARTS LIST
 01.1 Page 1084D
 Jun 01/95

015T0109 015T0132
 015T0412 015T0437
 015T0540 315T1001
 314T1210

 **BOEING**
 COMPONENT
 MAINTENANCE MANUAL

FIG. & ITEM	PART NO.	AIRLINE PART NUMBER	NOMENCLATURE 1234567	EFF CODE	QTY PER ASSY
02-210	HL1187DUW8		.COLLAR- (V73197) (SPEC BACC30X8SW) (OPT HL87DUW8 (V73197)) (OPT HL87DUW8 (V92215)) (OPT HL1187DUW8 (V56878)) (OPT HL1187DUW8 (V92215)) (OPT HL87DUW8 (V56878))	G-M,S ,T	3
215	HL12VAZ6-7		.BOLT- (V56878) (SPEC BACB30NX6K7) (OPT HL12VAZ6-7 (V73197)) (OPT HL12VAZ6-7 (V92215)) (OPT HL12VAZ6-7 (V97928)) (OPT L802-6K7 (V06725)) (OPT HL12-7 (V06725))	G-M,S ,T	4
220	314T1210-391		.SHIM	G-M,S ,T	1
225	HL1187DUW6		.COLLAR- (V73197) (SPEC BACC30X6SW) (OPT HL87DUW6 (V73197)) (OPT HL87DUW6 (V92215)) (OPT HL1187DUW6 (V56878)) (OPT HL1187DUW6 (V92215)) (OPT HL87DUW6 (V56878)) (OPT ITEM 225A)	G-M,S ,T	4
-225A	KFN542-3S		.NUT- (V15653) (OPT ITEM 225)	G-M,S ,T	4

71-11-45

ILLUSTRATED PARTS LIST
 01.1 Page 1084E
 Jun 01/95

FIG. & ITEM	PART NO.	AIRLINE PART NUMBER	NOMENCLATURE 1234567	EFF CODE	QTY PER ASSY
02-230	314T1216-19		.HINGE ASSY	G,J,L ,S,T	1
-235	314T1216-20		.HINGE ASSY	H,K,M	1
240	P20660		..BEARING- (V57606) (SPEC S302T001-300A) (OPT VTBO4520 (V06710)) (OPT AMB7-110 (V50294))	G-M,S ,T	1
245	314T1216-21		..FITTING	G,J,L ,S,T	1
-250	314T1216-22		..FITTING	H,K,M	1
-255	314T1212-5		.ROD INSTL-HOLD OPEN	G,J,L ,S,T	1
-260	314T1212-6		.ROD INSTL-HOLD OPEN	H,K,M	1
-262	314T1212-5001		..COLLECTOR-LIMITED PART	G,J,L ,S,T	1
-262A	314T1212-5003		..COLLECTOR-LIMITED PART	G,J,L ,S,T	1
-263	314T1212-5002		..COLLECTOR-LIMITED PART	H,K,M	1
-263A	314T1212-5004		..COLLECTOR-LIMITED PART	H,K,M	1
265	BACB30LJ3-34		...BOLT	G-M,S ,T	1
R 270	314T1212-7		...WASHER	G-M,S ,T	4
275	BACB28U3G110		...BUSHING	G-M,S ,T	1
280	NAS1056C6-046		...SPACER	G-M,S ,T	2
285	H01-3BAC		...NUT- (V15653) (SPEC BACN10JC3CM) (OPT NS202101SE02 (V80539)) (OPT T6C1032JM (V11815)) (OPT VN303D02 (V92215)) (OPT 109LH9075-3W (V72962)) (OPT 97E02 (V80539))	G-M,S ,T	1
290	314T1334-3		...SPRING	G,J,L ,S,T	1

71-11-45

 ILLUSTRATED PARTS LIST
 01.1 Page 1084F
 Jun 01/95

015T0109 015T0132
 015T0412 015T0437
 015T0540 315T1001
 314T1210

 **BOEING**
 COMPONENT
 MAINTENANCE MANUAL

FIG. & ITEM	PART NO.	AIRLINE PART NUMBER	NOMENCLATURE 1234567	EFF CODE	QTY PER ASSY
02-					
-295	314T1334-4		...SPRING	H,K,M	1
300	314T1335-4		...LINK ASSY-RETAINER (USED ON ITEMS 262, 263)	G-M,S ,T	1
-300A	314T1335-6		...LINK ASSY-RETAINER (USED ON ITEMS 262A, 263A)	G-M,S ,T	1
305	314T1335-3	SPACER	G-M,S ,T	1
310	315T1606-1	PIN	G-M,S ,T	1
315	314T1335-5	LINK	G-M,S ,T	1
320	H01-6BAC		...NUT- (V15653) (SPEC BACN10JC6CM) (OPT 102LH9075-6 (V72962)) (OPT 97E064 (V80539))	G-M,S ,T	1
325	AN960C616		...WASHER	G-M,S ,T	1
330	A2974-1		...ROD ASSY- (V08844) (SPEC S314T220-12) (OPT 55395-12 (V84256))	G-M,S ,T	1
-330A	55395-12		...ROD ASSY- (V84256) (SPEC S314T220-12) (OPT A2974-1 (V08844))	G-M,S ,T	1

71-11-45

ILLUSTRATED PARTS LIST
 01.1 Page 1084G
 Jun 01/95

FIG. & ITEM	PART NO.	AIRLINE PART NUMBER	NOMENCLATURE 1234567	EFF CODE	QTY PER ASSY
02-335	BACB28AM06C015A		.BUSHING	G-M,S ,T	1
340	NAS6704-13		.BOLT	G,J,L ,S,T	4
345	NAS6704-14		.BOLT	G,J,L ,S,T	8
350	BACB30LR4-17		.BOLT	G,J,L ,S,T	2
355	BACB30LR4-15		.BOLT	G,J,L ,S,T	2
360	AN960-416		.WASHER	G,J,L ,S,T	16
365	314T3210-96		.FILLER	G,J,L ,S,T	8
370	H10-4BAC		.NUT- (V15653) (SPEC BACN10JC4) (OPT NS202101-048 (V80539)) (OPT RMLH9075-4W (V72962)) (OPT T6S428J (V71087)) (OPT VN303A048 (V92215)) (OPT 96-048 (V80539)) (OPT BRH10A4 (V52828))	G,J,L ,S,T	16

71-11-45

 ILLUSTRATED PARTS LIST
 01.1 Page 1084H
 Jun 01/95

015T0109 015T0132
 015T0412 015T0437
 015T0540 315T1001
 314T1210

 **BOEING**
 COMPONENT
 MAINTENANCE MANUAL

FIG. & ITEM	PART NO.	AIRLINE PART NUMBER	NOMENCLATURE 1234567	EFF CODE	QTY PER ASSY
02-375	314T1339-9		.STOP-ANTI-ROTATION	G,J,L ,S,T	1
380	314T1339-10		.PLATE-STRIKE	G,J,L ,S,T	1
385	314T1339-11		.STOP-ANTI-ROTATION	G,J,L ,S,T	3
390	9409-2		.KEEPER ASSY- (V84256) (SPEC S314N104-2) (OPT ITEM 390A)	G,J,L ,S,T	4
-390A	H2827-9		.KEEPER ASSY- (V83014) (OPT ITEM 390)	G,J,L ,S,T	4
395	MS24665-134		.PIN-COTTER	H,K,M	4
400	BACB30LT5D33		.BOLT	H,K,M	1
R 405	BACB30LT5D31		.BOLT	H,K,M	3
410	AN960-516		.WASHER	H,K,M	7
415	BACN10JD5		.NUT- (V15653) (SPEC BACN10JD5) (OPT BACN10JD5 (V56878)) (OPT BACN10JD5 (V72962)) (OPT BACN10JD5 (V92595))	H,K,M	4
420	BACB28AM05B013A		.BUSHING	H,K,M	1
425	BACB28AM05B023A		.BUSHING	H,K,M	1
430	H2840-3		.LATCH ASSY- (V83014) (OPT ITEM 430A)	H,K,M	4
-430A	9415-2		.LATCH ASSY- (V84256) (SPEC S314N102-2) (OPT ITEM 430)	H,K,M	4

71-11-45

ILLUSTRATED PARTS LIST
 01.1 Page 1084I
 Jun 01/95

FIG. & ITEM	PART NO.	AIRLINE PART NUMBER	NOMENCLATURE 1234567	EFF CODE	QTY PER ASSY
02-					
435	BACB28X6M025		.BUSHING	J,K,T	4
440	BACR15CE5KE		DELETED		
440A	BACR15CE4KE		.RIVET-	G-M,S	12
			(SIZE DETERMINE ON INST)	,T	
445	314T1210-329		.PLATE-WEAR	G-M,S	6
				,T	
450	BACF3T03H5-12		.FILLER	G-M,S	6
				,T	
455	BACR15CE5KE		DELETED		
455A	BACR15CE4KE		.RIVET-	G-M,S	11
			(SIZE DETERMINE ON INST)	,T	
460	314T1210-385		.PLATE-WEAR	G-M,S	1
				,T	
465	314T1210-394		.SHIM	G-M,S	1
				,T	
470	BACR15CE5KE		DELETED		
470A	BACR15CE4KE		.RIVET-	G-M,S	20
			(SIZE DETERMINE ON INST)	,T	
475	314T1210-327		.PLATE-WEAR	G,J,L	1
				,S,T	
-480	314T1210-328		.PLATE-WEAR	H,K,M	1
485	BACF3T02G5-100		.FILLER	G-M,S	1
				,T	
490	314T1210-397		.SHIM	G,J,L	1
				,S,T	
-495	314T1210-398		.SHIM	H,K,M	1
500	314T1210-395		.SHIM	G,J,L	1
				,S,T	
-505	314T1210-396		.SHIM	H,K,M	1
510	314T1210-390		.PANEL ASSY	K	1
-510A	314T1210-410		.PANEL ASSY	H	1
-510B	314T1210-434		.PANEL ASSY	M	1
515	MS20427M6C		..RIVET-	H,K,M	9
			(SIZE DETERMINE ON INST)		
520	69B90687-501		..CATCH	H,K,M	1
525	BACR15CE3KE		..RIVET-	H,K,M	82
			(SIZE DETERMINE ON INST)		
530	314T1210-199		..STRIP-RUB	H,K,M	1
535	BACR15CE3KE		..RIVET-	H,K,M	20
			(SIZE DETERMINE ON INST)		
540	314T1223-6		..FITTING ASSY-LATCH	H,K,M	1
545	BACB28AM05B023A		...BUSHING	H,K,M	2
550	314T1223-7		...FITTING	H,K,M	1

71-11-45

 ILLUSTRATED PARTS LIST
 01.1 Page 1084J
 Jun 01/95

015T0109 015T0132
 015T0412 015T0437
 015T0540 315T1001
 314T1210

 **BOEING**
 COMPONENT
 MAINTENANCE MANUAL

FIG. & ITEM	PART NO.	AIRLINE PART NUMBER	NOMENCLATURE 1234567	EFF CODE	QTY PER ASSY
02-					
555	314T1222-1		..FITTING ASSY-LATCH	H,K,M	1
560	BACB28AM05B023A		...BUSHING	H,K,M	2
565	314T1222-2		...FITTING	H,K,M	1
570	314T1221-1		..FITTING ASSY-LATCH	H,K,M	1
575	BACB28AM05B023A		...BUSHING	H,K,M	2
580	314T1221-2		...FITTING	H,K,M	1
585	314T1220-1		..FITTING ASSY-LATCH	H,K,M	1
590	BACB28AM05B023A		...BUSHING	H,K,M	1
595	314T1220-2		...FITTING	H,K,M	1
596	HL11VAZ5-3		..BOLT- (V56878) (SPEC BACB30NW5K3) (OPT B30NW5K3 (V97928)) (OPT HL11VAZ5-3 (V73197)) (OPT HL11VAZ5-3 (V92215)) (OPT HL11VAZ5-3 (V97928)) (OPT L803-5K3 (V06725)) (OPT HL11VAZ5-3 (V0PTK6)) (OPT HL11VAZ5-3 (V60516))	H,K,M	4
596F	HL97DU5		..COLLAR- (V73197) (SPEC BACC30AB5S) (OPT HL97DU5 (V92215)) (OPT HL97DU5 (V56878))	H,K,M	4
596M	CSR904B5-4		..RIVET- (V05693))	H,M	22
596T	BACR15CE5KE		..RIVET- (SIZE DETERMINE ON INST)	H,K,M	23

71-11-45

ILLUSTRATED PARTS LIST
 01.1 Page 1084K
 Jun 01/95

FIG. & ITEM	PART NO.	AIRLINE PART NUMBER	NOMENCLATURE 1234567	EFF CODE	QTY PER ASSY
02-597	314T1210-370		..STRAP- (USED ON ITEM 510)	K	1
-597A	314T1210-414		..STRAP- (USED ON ITEMS 510A, 510B)	H,M	1
598	314T3019-2		.PIN-SHEAR	G,J,L ,S,T	4
601	AN960-416		.WASHER	G,J,L ,S,T	4
604	H10-4BAC		.NUT- (V15653) (SPEC BACN10JC4) (OPT NS202101-048 (V80539)) (OPT RMLH9075-4W (V72962)) (OPT T6S428J (V71087)) (OPT VN303A048 (V92215)) (OPT 96-048 (V80539)) (OPT BRH10A4 (V52828))	G,J,L ,S,T	4
607	314T1210-389		.PANEL ASSY	J,T	1
-607A	314T1210-411		.PANEL ASSY-SKIN	G,S	1
-607B	314T1210-433		.PANEL ASSY-SKIN	L	1
610	MS20427M6C		..RIVET- (SIZE DETERMINE ON INST)	G,J,L ,S,T	9

71-11-45

 ILLUSTRATED PARTS LIST
 01.1 Page 1084L
 Jun 01/95

015T0109 015T0132
 015T0412 015T0437
 015T0540 315T1001
 314T1210

 **BOEING**
 COMPONENT
 MAINTENANCE MANUAL

FIG. & ITEM	PART NO.	AIRLINE PART NUMBER	NOMENCLATURE 1234567	EFF CODE	QTY PER ASSY
02-613	69B90687-501		..CATCH	G,J,L ,S,T	1
616	BACR15CE3KE		..RIVET- (SIZE DETERMINE ON INST)	G,J,L ,S,T	82
619	314T1210-317		..STRIP-RUB	G,J,L ,S,T	1
622	314T1210-318		..STRIP-RUB	G,J,L ,S,T	1
625	314T1210-319		..STRIP-RUB	G,J,L ,S,T	1
628	314T1210-320		..STRIP-RUB	G,J,L ,S,T	1
631	BACR15CE3KE		..RIVET- (SIZE DETERMINE ON INST)	G,J,L ,S,T	20
634	314T1210-198		..STRIP-RUB (PRE SB 767-54-0038)	G,J,S ,T	1
-634A	314T1210-435		..STRIP-RUB	L	1
-634B	314T1001-11		..STRIP-RUB (POST SB 767-54-0038)	G,J,S ,T	1
635	HL11VAZ5-3		..BOLT- (V56878) (SPEC BACB30NW5K3) (OPT B30NW5K3 (V97928)) (OPT HL11VAZ5-3 (V73197)) (OPT HL11VAZ5-3 (V92215)) (OPT HL11VAZ5-3 (V97928)) (OPT L803-5K3 (V06725)) (OPT HL11VAZ5-3 (V0PTK6)) (OPT HL11VAZ5-3 (V60516))	G,J,L ,S,T	8

71-11-45

ILLUSTRATED PARTS LIST
 01.1 Page 1084M
 Jun 01/95

FIG. & ITEM	PART NO.	AIRLINE PART NUMBER	NOMENCLATURE 1234567	EFF CODE	QTY PER ASSY
02-635F	HL97DU5		..COLLAR- (V73197) (SPEC BACC30AB5S) (OPT HL97DU5 (V92215)) (OPT HL97DU5 (V56878))	G,J,L ,S,T	8
635M	CSR904B5-4		..RIVET- (V05693)	G,L,S	32
635T	BACR15CE5KE		..RIVET- (SIZE DETERMINE ON INST)	G,J,L ,S,T	19
636	314T1210-323		..STRAP	G,J,L ,S,T	1
637	314T1238-1		.DUCT ASST-LP RECOUP EXH	G,J,L ,S,T	1
640	HL11VAZ6-3		ATTACHING PARTS .BOLT- (V56878) (SPEC BACB30NW6K3) (OPT B30NW6K3 (V97928)) (OPT HL11VAZ6-3 (V73197)) (OPT HL11VAZ6-3 (V92215)) (OPT HL11VAZ6-3 (V97928)) (OPT L803-6K3 (V06725)) (OPT HL11VAZ6-3 (VOPTK6)) (OPT HL11VAZ6-3 (V60516))	G,J,L ,S,T	18

71-11-45

ILLUSTRATED PARTS LIST
01.1 Page 1084N
Jun 01/95

015T0109 015T0132
 015T0412 015T0437
 015T0540 315T1001
 314T1210

 **BOEING**
 COMPONENT
 MAINTENANCE MANUAL

FIG. & ITEM	PART NO.	AIRLINE PART NUMBER	NOMENCLATURE 1234567	EFF CODE	QTY PER ASSY
02-643	HL11VAZ6-4		.BOLT- (V56878) (SPEC BACB30NW6K4) (OPT HL11V6-4 (V92215)) (OPT HL11V6-4 (V97928)) (OPT L803-6-4 (V06725)) (OPT B30NW6K4 (V97928)) (OPT HL11VAZ6-4 (V73197)) (OPT HL11VAZ6-4 (V92215)) (OPT HL11VAZ6-4 (V97928)) (OPT L803-6K4 (V06725)) (OPT HL11V6-4 (V80539))	G,J,L ,S,T	2
646	HL11VAZ6-5		.BOLT- (V56878) (SPEC BACB30NW6K5) (OPT HL11V6-5 (V92215)) (OPT HL11V6-5 (V97928)) (OPT L803-6-5 (V06725)) (OPT B30NW6K5 (V97928)) (OPT HL11VAZ6-5 (V73197)) (OPT HL11VAZ6-5 (V92215)) (OPT HL11VAZ6-5 (V97928)) (OPT L803-6K5 (V06725)) (OPT HL11V6-5 (V80539))	G,J,L ,S,T	10

71-11-45

ILLUSTRATED PARTS LIST
 01.1 Page 10840
 Jun 01/95

FIG. & ITEM	PART NO.	AIRLINE PART NUMBER	NOMENCLATURE 1234567	EFF CODE	QTY PER ASSY
02-649	HL97DU6		.COLLAR- (V73197) (SPEC BACC30AB6S) (OPT HL97DU6 (V92215)) (OPT HL97DU6 (V56878))	G,J,L ,S,T	30
652	MS21140-0603P		.BOLT	G,J,L ,S,T	6
655	BACR15CE3KE		.RIVET- (SIZE DETERMINE ON INST) -----*-----	G,J,L ,S,T	9
658	314T1210-315		.FILLER	G,J,L ,S,T	1
661	314T1210-250		.FILLER	G,J,L ,S,T	1
663	BACR15BA5AD		.RIVET- (SIZE DETERMINE ON INST)	J,T	10
666	BACR15CE3D		.RIVET- (SIZE DETERMINE ON INST)	J,T	3
669	314T1210-417		.PLUG	J,T	1
672	314T1210-421		.PLUG	J,T	1
675	314T1210-419		.PLATE	J,T	1
-678	314T1230-1		.DOOR INSTL-PRESSURE RELIEF	G,J,L ,S,T	1
-681	314T1230-2		.DOOR INSTL-PRESSURE RELIEF	H,K,M	1
-684	314T1230-5001		..DOOR INSTL- (REPLD BY ITEMS 684A, 684B)	G,J,L ,S,T	1
-684A	314T1230-5003		..DOOR INSTL- (REPLS ITEM 684) (REPLD BY ITEM 684B)	G,J,L ,S,T	1

71-11-45

 ILLUSTRATED PARTS LIST
 01.1 Page 1084P
 Jun 01/95

015T0109 015T0132
 015T0412 015T0437
 015T0540 315T1001
 314T1210

 **BOEING**
 COMPONENT
 MAINTENANCE MANUAL

FIG. & ITEM	PART NO.	AIRLINE PART NUMBER	NOMENCLATURE 1234567	EFF CODE	QTY PER ASSY
02- -684B	314T1230-5005		..DOOR INSTL- (REPLS ITEMS 684, 684A)	G,J,L ,S,T	1
-687	314T1230-5002		..DOOR INSTL- (REPLD BY ITEMS 687A, 687B)	H,K,M	1
-687A	314T1230-5004		..DOOR INSTL- (REPLS ITEM 687) (REPLD BY ITEM 687B)	H,K,M	1
-687B	314T1230-5006		..DOOR INSTL- (REPLS ITEMS 687, 687A)	H,K,M	1
690	MS16562-9		...PIN-SPRING	G-M,S ,T	2
693	MS16562-10		...PIN-SPRING	G-M,S ,T	2
696	314T1230-3		...DOOR ASSY- (USED ON ITEMS 684, 684A, 687, 687A)	G-M,S ,T	1
-696A	314T1230-23		...DOOR ASSY- (USED ON ITEMS 684B, 687B)	G-M,S ,T	1
699	BACS12ER06K8	SCREW- (V06710) (SPEC BACS12ER06K8) (OPT BACS12ER06K8 (V06725)) (OPT BACS12ER06K8 (V06950)) (OPT BACS12ER06K8 (V27624)) (OPT BACS12ER06K8 (V34252)) (OPT BACS12ER06K8 (V56878)) (OPT BACS12ER06K8 (V73197)) (OPT BACS12ER06K8 (V80539)) (OPT BACS12ER06K8 (V92215)) (OPT BACS12ER06K8 (V93907)) (OPT BACS12ER06K8 (V97928))	G-M,S ,T	8

71-11-45

ILLUSTRATED PARTS LIST
 01.1 Page 1084Q
 Jun 01/95

FIG. & ITEM	PART NO.	AIRLINE PART NUMBER	NOMENCLATURE 1234567	EFF CODE	QTY PER ASSY
R	02-702	AN960C6WASHER	G-M,S ,T	8
	705	314T3230-8SPACER	G-M,S ,T	2
	708	H10-06BACNUT- (V15653) (SPEC BACN10JC06) (OPT RMLH9075-62W (V72962)) (OPT T6S632J (V11815)) (OPT VN303A62 (V92215)) (OPT 96-62 (V80539)) (OPT BRH10A06 (V52828)) (OPT BRH10A62 (V52828)) (OPT NS202101-62 (V80539))	G-M,S ,T	8
	711	H3018-102LATCH- (V26390) (SPEC 60B90300-4)	G-M,S ,T	2
	714	BACB30LH3-10BOLT	G-M,S ,T	2
	717	BACB30LH3-12BOLT	G-M,S ,T	2
	720	AN960C10WASHER	G-M,S ,T	4
	723	H01-3BACNUT- (V15653) (SPEC BACN10JC3CM) (OPT NS202101SE02 (V80539)) (OPT T6C1032JM (V11815)) (OPT VN303D02 (V92215)) (OPT 109LH9075-3W (V72962)) (OPT 97E02 (V80539))	G-M,S ,T	4

71-11-45

015T0109 015T0132
 015T0412 015T0437
 015T0540 315T1001
 314T1210

 **BOEING**
 COMPONENT
 MAINTENANCE MANUAL

FIG. & ITEM	PART NO.	AIRLINE PART NUMBER	NOMENCLATURE 1234567	EFF CODE	QTY PER ASSY
02-726	BACS40R009D016F	SHIM	G-M,S ,T	2
729	314T1230-15	SPACER	G-M,S ,T	2
732	314T1230-13	SPACER	G-M,S ,T	2
735	314T3231-1	FITTING-HINGE	G-M,S ,T	2
738	314T3230-24	WASHER- (OPT ITEM 738A)	G-M,S ,T	2
-738A	AN960KD416L	WASHER- (OPT ITEM 738)	G-M,S ,T	2
741	BACB30LH2-8	BOLT	G-M,S ,T	5
744	BACB30LH2-8	BOLT- (USED ON ITEM 696)	G-M,S ,T	4
-744A	BACB30LH2-10	BOLT- (USED ON ITEM 696A)	G-M,S ,T	4
747	AN960KD8	WASHER	G-M,S ,T	9
750	H01-08BAC	NUT- (V15653) (SPEC BACN10JC08CM) (OPT NS202101SE82 (V80539)) (OPT T6C832JM (V11815)) (OPT VN303D82 (V92215)) (OPT 109LH9075-82W (V72962)) (OPT 97E82 (V80539))	G-M,S ,T	9

71-11-45

ILLUSTRATED PARTS LIST
 01.1 Page 1084S
 Jun 01/95

FIG. & ITEM	PART NO.	AIRLINE PART NUMBER	NOMENCLATURE 1234567	EFF CODE	QTY PER ASSY
02-753	314T1230-14	RETAINER-SEAL	G-M,S ,T	1
756	314T1230-6	SEAL	G-M,S ,T	1
759	314T1230-5	SPACER	G-M,S ,T	1
762	314T1230-22	PLATE-STOP (USED ON ITEM 696A)	G-M,S ,T	2
765	314T1236-1	PANEL	G-M,S ,T	1
767	L8006-7		...BOLT- (V06725) (SPEC BACB30MY6-7) (OPT 68833-6-7A (V56878)) (USED ON ITEMS 684B, 687B)	G-M,S ,T	2
769	AN960KD10		...WASHER- (USED ON ITEMS 684B, 687B)	G-M,S ,T	2
772	BACS18C8-4		...SPACER- (USED ON ITEMS 684B, 687B)	G-M,S ,T	2
775	H10-3BAC		...NUT- (V15653) (SPEC BACN10JC3) (OPT NS202101-02 (V80539)) (OPT RMLH9075-3W (V72962)) (OPT T6S1032J (V71087)) (OPT VN303A02 (V92215)) (OPT 96-02 (V80539)) (OPT BRH10A3 (V52828)) (USED ON ITEMS 684B, 687B)	G-M,S ,T	2

71-11-45

 ILLUSTRATED PARTS LIST
 01.1 Page 1084T
 Jun 01/95

015T0109 015T0132
 015T0412 015T0437
 015T0540 315T1001
 314T1210

 **BOEING**
 COMPONENT
 MAINTENANCE MANUAL

FIG. & ITEM	PART NO.	AIRLINE PART NUMBER	NOMENCLATURE 1234567	EFF CODE	QTY PER ASSY
R 02-778	314T1230-21		...STOP-RUBBER (MFD FROM BAC1521-521 X .31 IN. FIN F-25.01) (USED ON ITEMS 684B, 687B)	G-M,S ,T	2
781	HL11VAZ5-4		...BOLT- (V56878) (SPEC BACB30NW5K4) (OPT B30NW5K4 (V97928)) (OPT HL11VAZ5-4 (V73197)) (OPT HL11VAZ5-4 (V92215)) (OPT HL11VAZ5-4 (V97928)) (OPT L803-5K4 (V06725)) (OPT HL11VAZ5-4 (V0PTK6)) (OPT HL11VAZ5-4 (V60516)) (USED ON ITEMS 684A, 687A)	G-M,S ,T	4
784	HL97DU5		...COLLAR- (V73197) (SPEC BACC30AB5S) (OPT HL97DU5 (V92215)) (OPT HL97DU5 (V56878)) (USED ON ITEMS 684A, 687A)	G-M,S ,T	4

71-11-45

ILLUSTRATED PARTS LIST
 01.1 Page 1084U
 Jun 01/95

FIG. & ITEM	PART NO.	AIRLINE PART NUMBER	NOMENCLATURE 1234567	EFF CODE	QTY PER ASSY
02-787	HL11VAZ5-4		...BOLT- (V56878) (SPEC BACB30NW5K4) (OPT B30NW5K4 (V97928)) (OPT HL11VAZ5-4 (V73197)) (OPT HL11VAZ5-4 (V92215)) (OPT HL11VAZ5-4 (V97928)) (OPT L803-5K4 (V06725)) (OPT HL11VAZ5-4 (V0PTK6)) (OPT HL11VAZ5-4 (V60516)) (USED ON ITEMS 684B, 687B)	G-M,S ,T	2
790	HL97DU5		...COLLAR- (V73197) (SPEC BACC30AB5S) (OPT HL97DU5 (V92215)) (OPT HL97DU5 (V56878)) (USED ON ITEMS 684B, 687B)	G-M,S ,T	2

71-11-45

015T0109 015T0132
 015T0412 015T0437
 015T0540 315T1001
 314T1210

 **BOEING**
 COMPONENT
 MAINTENANCE MANUAL

FIG. & ITEM	PART NO.	AIRLINE PART NUMBER	NOMENCLATURE 1234567	EFF CODE	QTY PER ASSY
02-793	HL11VAZ6-4		...BOLT- (V56878) (SPEC BACB30NW6K4) (OPT HL11V6-4 (V92215)) (OPT HL11V6-4 (V97928)) (OPT L803-6-4 (V06725)) (OPT B30NW6K4 (V97928)) (OPT HL11VAZ6-4 (V73197)) (OPT HL11VAZ6-4 (V92215)) (OPT HL11VAZ6-4 (V97928)) (OPT L803-6K4 (V06725)) (OPT HL11V6-4 (V80539)) (USED ON ITEMS 684B, 687B)	G-M,S ,T	4
796	HL97DU6		...COLLAR- (V73197) (SPEC BACC30AB6S) (OPT HL97DU6 (V92215)) (OPT HL97DU6 (V56878)) (USED ON ITEMS 684B, 687B)	G-M,S ,T	4

71-11-45

ILLUSTRATED PARTS LIST
 01.1 Page 1084W
 Jun 01/95

FIG. & ITEM	PART NO.	AIRLINE PART NUMBER	NOMENCLATURE 1234567	EFF CODE	QTY PER ASSY
02-799	314T1230-17		...DOUBLER- (USED ON ITEMS 684A, 687A)	G-M,S ,T	1
802	314T1230-18		...DOUBLER- (USED ON ITEMS 684A, 687A)	G-M,S ,T	1
805	314T1230-19		...BRACKET-STOP (USED ON ITEMS 684B, 687B)	G-M,S ,T	1
808	314T1230-20		...BRACKET-STOP (USED ON ITEMS 684B, 687B)	G-M,S ,T	1
811	BACB28AM04B015A		...BUSHING	G-M,S ,T	2
814	HL10VAZ5-3		...BOLT- (V60516) (SPEC BACB30MY5K3) (OPT HL10VAZ5-3 (VOPTK6))	G-M,S ,T	4
817	HL11VAZ5-3		...BOLT- (V56878) (SPEC BACB30NW5K3) (OPT B30NW5K3 (V97928)) (OPT HL11VAZ5-3 (V73197)) (OPT HL11VAZ5-3 (V92215)) (OPT HL11VAZ5-3 (V97928)) (OPT L803-5K3 (V06725)) (OPT HL11VAZ5-3 (VOPTK6)) (OPT HL11VAZ5-3 (V60516))	G-M,S ,T	4

71-11-45

015T0109 015T0132
 015T0412 015T0437
 015T0540 315T1001
 314T1210

 **BOEING**
 COMPONENT
 MAINTENANCE MANUAL

FIG. & ITEM	PART NO.	AIRLINE PART NUMBER	NOMENCLATURE 1234567	EFF CODE	QTY PER ASSY
02-820	HL97DU5		...COLLAR- (V73197) (SPEC BACC30AB5S) (OPT HL97DU5 (V92215)) (OPT HL97DU5 (V56878))	G-M,S ,T	8
823	BACR15CE5		...RIVET- (SIZE DETERMINE ON INST)	G-M,S ,T	20
826	HL11VAZ6-6		...BOLT- (V56878) (SPEC BACB30NW6K6) (OPT B30NW6K6 (V97928)) (OPT HL11VAZ6-6 (V73197)) (OPT HL11VAZ6-6 (V92215)) (OPT HL11VAZ6-6 (V97928)) (OPT L803-6K6 (V06725))	G-M,S ,T	10
829	HL97DU6		...COLLAR- (V73197) (SPEC BACC30AB6S) (OPT HL97DU6 (V92215)) (OPT HL97DU6 (V56878))	G-M,S ,T	10
832	314T1230-7		...INTERCOSTAL	G,J,L ,S,T	1
-835	314T1230-8		...INTERCOSTAL	H,K,M	1
838	314T1230-7		...INTERCOSTAL	G,J,L ,S,T	1
-841	314T1230-7		...INTERCOSTAL	H,K,M	1
844	314T1230-11		...SHIM	G-M,S ,T	10
847	314T1230-12		...SHIM	G-M,S ,T	10
850	314T1230-5		...SPACER	G-M,S ,T	2
853	314T1230-9		...CLIP	G-M,S ,T	2
856	314T1230-10		...CLIP	G-M,S ,T	2

71-11-45

ILLUSTRATED PARTS LIST
 01.1 Page 1084Y
 Jun 01/95

FIG. & ITEM	PART NO.	AIRLINE PART NUMBER	NOMENCLATURE 1234567	EFF CODE	QTY PER ASSY
02-859	314T1237-501		.DRAIN ASSY-LP RECOUP ATTACHING PARTS	H,K,M	1
862	BACR15CE5D		.RIVET- (SIZE DETERMINE ON INST)	H,K,M	9
865	HL12VAZ6-4		.BOLT- (V56878) (SPEC BACB30NX6K4) (OPT HL12VAZ6-4 (V73197)) (OPT HL12VAZ6-4 (V92215)) (OPT HL12VAZ6-4 (V97928)) (OPT L802-6K4 (V06725)) (OPT HL12-4 (V06725))	H,K,M	3
868	HL1187DU6		.COLLAR- (V73197) (SPEC BACC30X6S) (OPT HL87DU6 (V73197)) (OPT HL87DU6 (V92215)) (OPT HL1187DU6 (V56878)) (OPT HL1187DU6 (V92215)) (OPT HL87DU6 (V56878)) -----*	H,K,M	3
871	NAS6703U4		..BOLT	H,K,M	4
874	314T1237-14		..SCUPPER ASSY	H,K,M	1
877	314T1237-15		..SPACER	H,K,M	1
880	314T1237-11		..EXHAUST ASSY	H,K,M	1
883	314T1237-503		..SUPPORT ASSY	H,K,M	1

71-11-45

 ILLUSTRATED PARTS LIST
 01.1 Page 1084Z
 Jun 01/95

015T0109 015T0132
 015T0412 015T0437
 015T0540 315T1001
 314T1210

 **BOEING**
 COMPONENT
 MAINTENANCE MANUAL

FIG. & ITEM	PART NO.	AIRLINE PART NUMBER	NOMENCLATURE 1234567	EFF CODE	QTY PER ASSY
02- 886 889	MS20427M3-3 BRF200C3M		..RIVET ..NUTPLATE- (V52828) (SPEC BACN10JR3CFM) (OPT F5001-3BAC (V15653)) (OPT NS103203SE02 (V80539)) (OPT T8092C1032 (V11815)) (OPT VN152D1-02 (V92215)) (OPT 109F9201-3 (V72962))	H,K,M H,K,M	8 4
892 895	BACS40R11C48F 314T1235-2		.SHIM .DUCT ASSY-PRECOOLER ATTACHING PARTS	H,K,M H,K,M	AR 1
897	BACB30NU3K5		.BOLT- (V08524) (SPEC BACB30NU3K5) (OPT BACB30NU3K5 (V56878)) (OPT BACB30NU3K5 (V73197)) (OPT BACB30NU3K5 (V80539)) (OPT BACB30NU3K5 (V92215))	H,K,M	10
900	BACB30NU3K4		.BOLT- (V08524) (SPEC BACB30NU3K4) (OPT BACB30NU3K4 (V56878)) (OPT BACB30NU3K4 (V73197)) (OPT BACB30NU3K4 (V80539)) (OPT BACB30NU3K4 (V92215))	H,K,M	21

71-11-45

ILLUSTRATED PARTS LIST
 01.1 Page 1085
 Jun 01/95

FIG. & ITEM	PART NO.	AIRLINE PART NUMBER	NOMENCLATURE 1234567	EFF CODE	QTY PER ASSY
02-					
903	BACB30NN3K4		.BOLT	H,K,M	7
906	AN960PD10		.WASHER	H,K,M	31
909	H01-3BAC		.NUT- (V15653) (SPEC BACN10JC3CM) (OPT NS202101SE02 (V80539)) (OPT T6C1032JM (V11815)) (OPT VN303D02 (V92215)) (OPT 109LH9075-3W (V72962)) (OPT 97E02 (V80539)) -----*	H,K,M	31
912	NAS6704HU2		..BOLT	H,K,M	6
915	AN960C416L		..WASHER	H,K,M	6
918	AN960C416L		..WASHER	H,K,M	AR
921	314T1240-1		..NOZZLE ASSY- (REPLD BY ITEM 921B)	H,K,M	1
921A	314T1240-1		DELETED		
-921B	314T1240-11		..NOZZLE ASSY- (REPLS ITEM 921)	H,K,M	1
924	314T3804-1		...LUG-ATTACHMENT	H,K,M	6
927	314T1239-1		..DUCT ASSY	H,K,M	1
930	MS20615-5M		...RIVET- (SIZE DETERMINE ON INST)	H,K,M	30
933	AN960C8L		...WASHER	H,K,M	30
936	314T1239-16		...ANGLE	H,K,M	1
939	314T1239-5		...ANGLE	H,K,M	1
942	MS20427M4		...RIVET	H,K,M	11
945	MS20427M5		...RIVET	H,K,M	2

71-11-45

 ILLUSTRATED PARTS LIST
 01.1 Page 1086
 Jun 01/95

015T0109 015T0132
 015T0412 015T0437
 015T0540 315T1001
 314T1210

 **BOEING**
 COMPONENT
 MAINTENANCE MANUAL

FIG. & ITEM	PART NO.	AIRLINE PART NUMBER	NOMENCLATURE 1234567	EFF CODE	QTY PER ASSY
02-					
948	314T1239-12		...STRAP	H,K,M	1
951	314T1239-13		...SPACER	H,K,M	1
954	MS20427M4		...RIVET	H,K,M	11
957	314T1239-14		...FAIRING	H,K,M	1
960	314T1239-6		...SPACER	H,K,M	1
963	MS20427M3		...RIVET	H,K,M	14
966	BRF200C3		...NUTPLATE- (V52828) (SPEC BACN10JR3CF) (OPT F5031-3BAC (V15653)) (OPT NS103203S02 (V80539)) (OPT T8093C1032 (V11815)) (OPT VN152B1-02 (V92215)) (OPT 101F9201-3 (V72962))	H,K,M	7
969	BACB30LH3U3		..BOLT- (POST SB 767-71-0004)	H,K,M	8
972	AN960C10L		..WASHER	H,K,M	8
975	H01-3BAC		..NUT- (V15653) (SPEC BACN10JC3CM) (OPT NS202101SE02 (V80539)) (OPT T6C1032JM (V11815)) (OPT VN303D02 (V92215)) (OPT 109LH9075-3W (V72962)) (OPT 97E02 (V80539))	H,K,M	8
R 978	314T1331-1		..RECEPTACLE ASSY-OUTLET (POST SB767-71-004)	H,K,M	1

71-11-45

ILLUSTRATED PARTS LIST
 01.1 Page 1086A
 Jun 01/95

015T0109 015T0132
 015T0412 015T0437
 015T0540 315T1001
 314T1210

 **BOEING**
 COMPONENT
 MAINTENANCE MANUAL

FIG. & ITEM	PART NO.	AIRLINE PART NUMBER	NOMENCLATURE 1234567	EFF CODE	QTY PER ASSY
03-					
-1	314T1212-5		ROD INSTL-HOLD OPEN	E,Q	RF
-5	314T1212-6		ROD INSTL-HOLD OPEN	F	RF
-10	314T1212-5001		.COLLECTOR-LIMITED PART	E,Q	1
-10A	314T1212-5003		.COLLECTOR-LIMITED PART	E,Q	1
-15	314T1212-5002		.COLLECTOR-LIMITED PART	F	1
-15A	314T1212-5004		.COLLECTOR-LIMITED PART	F	1
20	BACB30LJ3-34		..BOLT	E,F,Q	1
25	314T1212-7		..WASHER	E,F,Q	4
30	BACB28U3G110		..BUSHING	E,F,Q	1
35	NAS1056C6-046		..SPACER	E,F,Q	2
40	H01-3BAC		..NUT- (V15653) (SPEC BACN10JC3CM) (OPT NS202101SE02 (V80539)) (OPT T6C1032JM (V11815)) (OPT VN303D02 (V92215)) (OPT 109LH9075-3W (V72962)) (OPT 97E02 (V80539))	E,F,Q	1
45	314T1334-3		..SPRING	E,Q	1
-50	314T1334-4		..SPRING	F	1
55	314T1335-4		..LINK ASSY-HOLD OPEN ROD RETAINER (USED ON ITEM 10, 15)	E,F,Q	1
-55A	314T1335-6		..LINK ASSY-HOLD OPEN ROD RETAINER (USED ON ITEM 10A, 15A)	E,F,Q	1
60	314T1335-3		...SPACER	E,F,Q	1
65	315T1606-1		...PIN-RECEIVER	E,F,Q	1
70	314T1335-5		...LINK	E,F,Q	1
75	AN960C616		..WASHER	E,F,Q	1
80	H01-6BAC		..NUT- (V15653) (SPEC BACN10JC6CM) (OPT 102LH9075-6 (V72962)) (OPT 97E064 (V80539))	E,F,Q	1

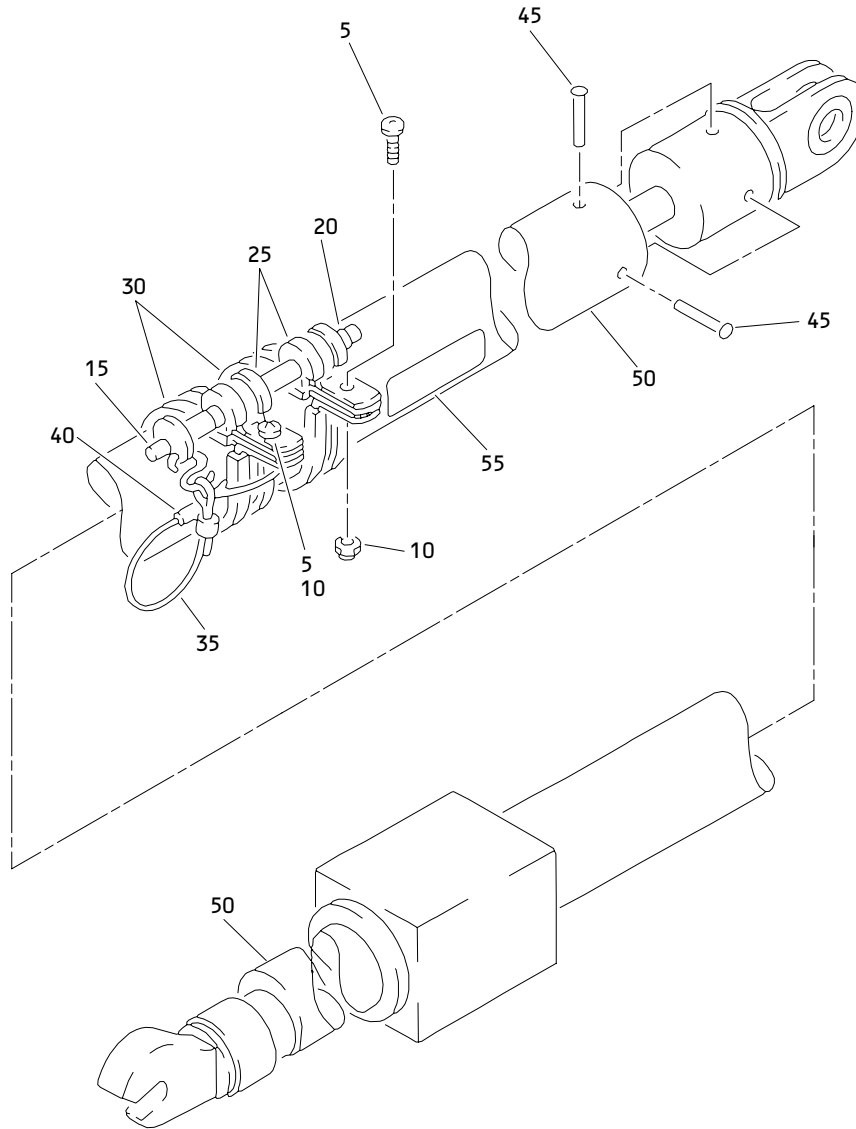
71-11-45

ILLUSTRATED PARTS LIST
 01.1 Page 1086C
 Jun 01/95

FIG. & ITEM	PART NO.	AIRLINE PART NUMBER	NOMENCLATURE 1234567	EFF CODE	QTY PER ASSY
03-85	A2974-1		..ROD ASSY- (V08844) (SPEC S314T220-12) (OPT 55395-12 (V84256))	E,F,Q	1
-85A	55395-12		..ROD ASSY- (V84256) (SPEC S314T220-12) (OPT A2974-1 (V08844))	E,F,Q	1

71-11-45

ILLUSTRATED PARTS LIST
 01.1 Page 1086D
 Jun 01/95



Hold-Open Rod Assembly
Figure 4

71-11-45

ILLUSTRATED PARTS LIST
01.1 Page 1086F
Jun 01/95

015T0109 015T0132
 015T0412 015T0437
 015T0540 315T1001
 314T1210

 **BOEING**
 COMPONENT
 MAINTENANCE MANUAL

FIG. & ITEM	PART NO.	AIRLINE PART NUMBER	NOMENCLATURE 1234567	EFF CODE	QTY PER ASSY
04- -1	315T3159-2		ROD ASSY-HOLD OPEN (REWORK) (POST SB 767-71A0025)	A-D,N P	RF
5	BACB30NT3K2		.BOLT- (V06710) (SPEC BACB30NT3K2) (OPT BACB30NT3K2 (V06725)) (OPT BACB30NT3K2 (V06950)) (OPT BACB30NT3K2 (V08524)) (OPT BACB30NT3K2 (V27624)) (OPT BACB30NT3K2 (V73197)) (OPT BACB30NT3K2 (V80539)) (OPT BACB30NT3K2 (V92215)) (OPT BACB30NT3K2 (V93907)) (OPT BACB30NT3K2 (V97928))	A-D,N P	2
10	BRH10C3D		.NUT- (V52828) (SPEC BACN10JC3CD) (OPT H51650-3BAC (V15653)) (OPT 102LH3W (V72962)) (OPT NS202486-02 (V80539)) (OPT T6C1032CD (V11815))	A-D,N P	2

71-11-45

ILLUSTRATED PARTS LIST
 01.1 Page 1086G
 Jun 01/95

FIG. & ITEM	PART NO.	AIRLINE PART NUMBER	NOMENCLATURE 1234567	EFF CODE	QTY PER ASSY
04-15	BLC4BC18S		.PIN-BALL LOCK (V84256) (OPT ITEMS 15A, 15B)	A-D,N ,P	1
-15A	CL4BLPB18S		.PIN-BALL LOCK (V99862) (OPT ITEMS 15, 15B)	A-D,N ,P	1
-15B	MS17984C418		.PIN-BALL LOCK (OPT ITEMS 15, 15A)	A-D,N ,P	1
20	315T3159-3		.RETAINER-PIN (MFD FROM CRES TUBE F17.09 MIL-T-6845 5/8 IN. OD X 30.28 IN. X 1.79 IN. LG)	A-D,N ,P	1
25	MS21919WCJ5		.CLAMP	A-D,N ,P	2
30	MS21919WCJ18		.CLAMP	A-D,N ,P	2
35	CL100-3B50		.CABLE ASSY- (V99862) (SPEC BACC13Y3B50)	A-D,N ,P	1
40	CL4F		.FERRULE- (V99862) (SPEC BACF22U2) (OPT 325167 (V00779))	A-D,N ,P	1
45	MS20470AD4-20		.RIVET	A-D,N ,P	2
50	A2739-5		.ROD ASSY- (V08844) (SPEC S314T220-6) (PRE SB 767-71-0014)	A-D,N ,P	1
R -50A	A2974-1		.ROD ASSY- (V08844) (SPEC S314T220-12) (OPT 55395-12 (V84256)) (POST SB 767-71-0014)	A-D,N ,P	1
R -50B	55395-12		.ROD ASSY- (V84256) (SPEC S314T220-12) (OPT A2974-1 (V08844)) (POST SB 767-71-0014)	A-D,N ,P	1

71-11-45

 ILLUSTRATED PARTS LIST
 01.1 Page 1086H
 Jun 01/95

015T0109 015T0132
015T0412 015T0437
015T0540 315T1001
314T1210

 **BOEING**
COMPONENT
MAINTENANCE MANUAL

FIG. & ITEM	PART NO.	AIRLINE PART NUMBER	NOMENCLATURE	EFF CODE	QTY PER ASSY
04- 55	BAC27TTR0043		.MARKER-ALUMINUM FOIL	A-D, N,P	1

71-11-45

ILLUSTRATED PARTS LIST
01.1 Page 1086I
Jun 01/95

FIG. & ITEM	PART NO.	AIRLINE PART NUMBER	NOMENCLATURE 1234567	EFF CODE	QTY PER ASSY
05-					
-1	A2739-6		DELETED		
5	CL2739-1		DELETED		
10	MS206135C20		DELETED		
10A	MS20613-5C20		DELETED		
15	MS20470AD4-20		DELETED		
20	AM2739-1-4		DELETED		
25	AM2739-2-4		DELETED		
30	S106		DELETED		
35	AM2739-2-3		DELETED		
40	AM2739-2-1		DELETED		
45	AM2739-2-2		DELETED		
50	AM2739-5-1		DELETED		
55	AM1233-9-5		DELETED		
60	S265		DELETED		
65	20A1240-01		DELETED		
70	AM2739-5-8S		DELETED		
75	S240		DELETED		
80	MS20470AD3-10		DELETED		
85	RRT86C		DELETED		
90	2-111		DELETED		
95	AM2739-1-5		DELETED		

71-11-45

ILLUSTRATED PARTS LIST
 01.1 Page 1086J
 Jun 01/95